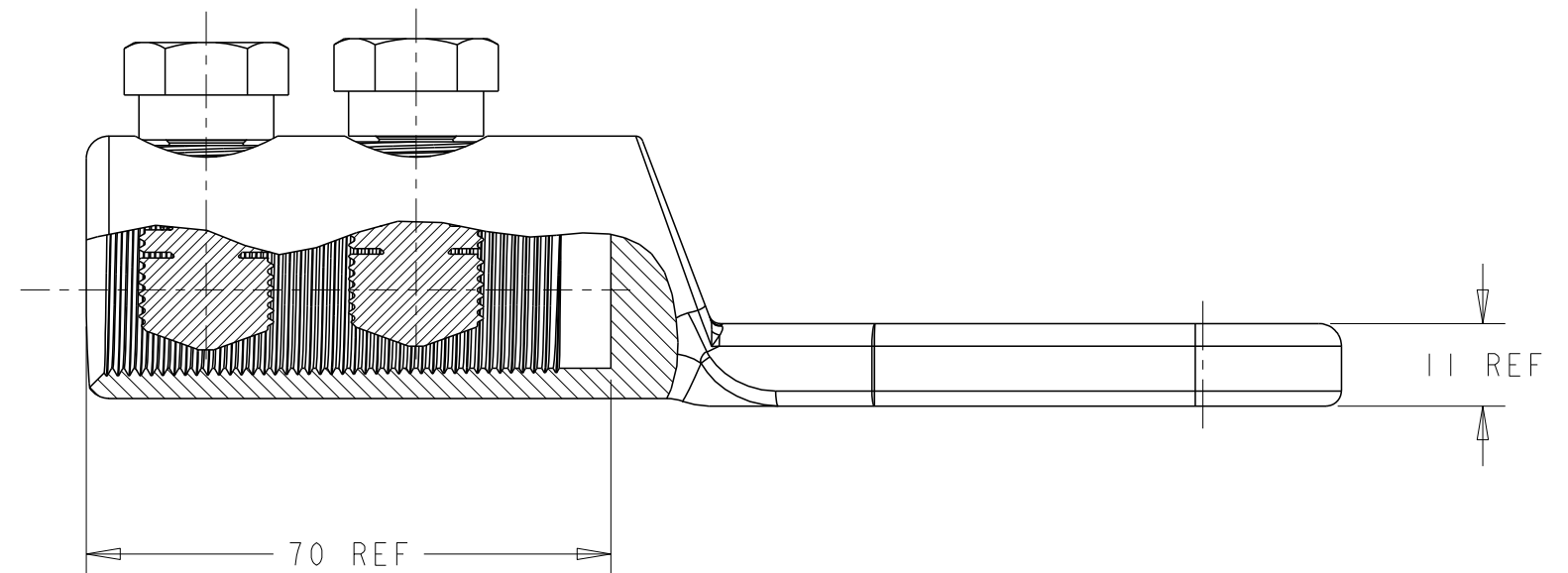
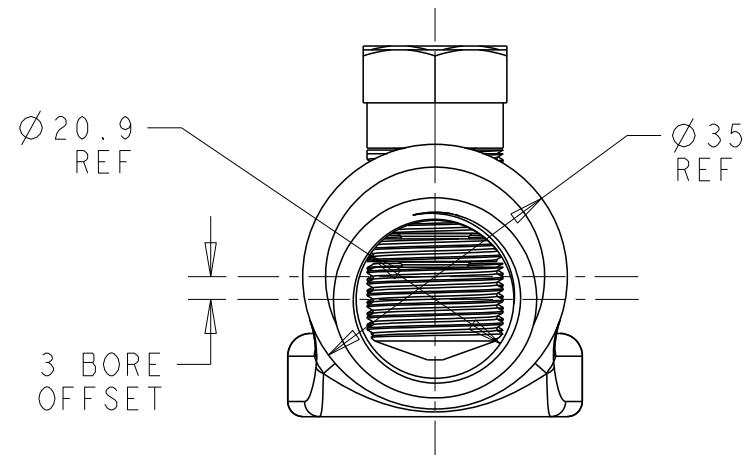
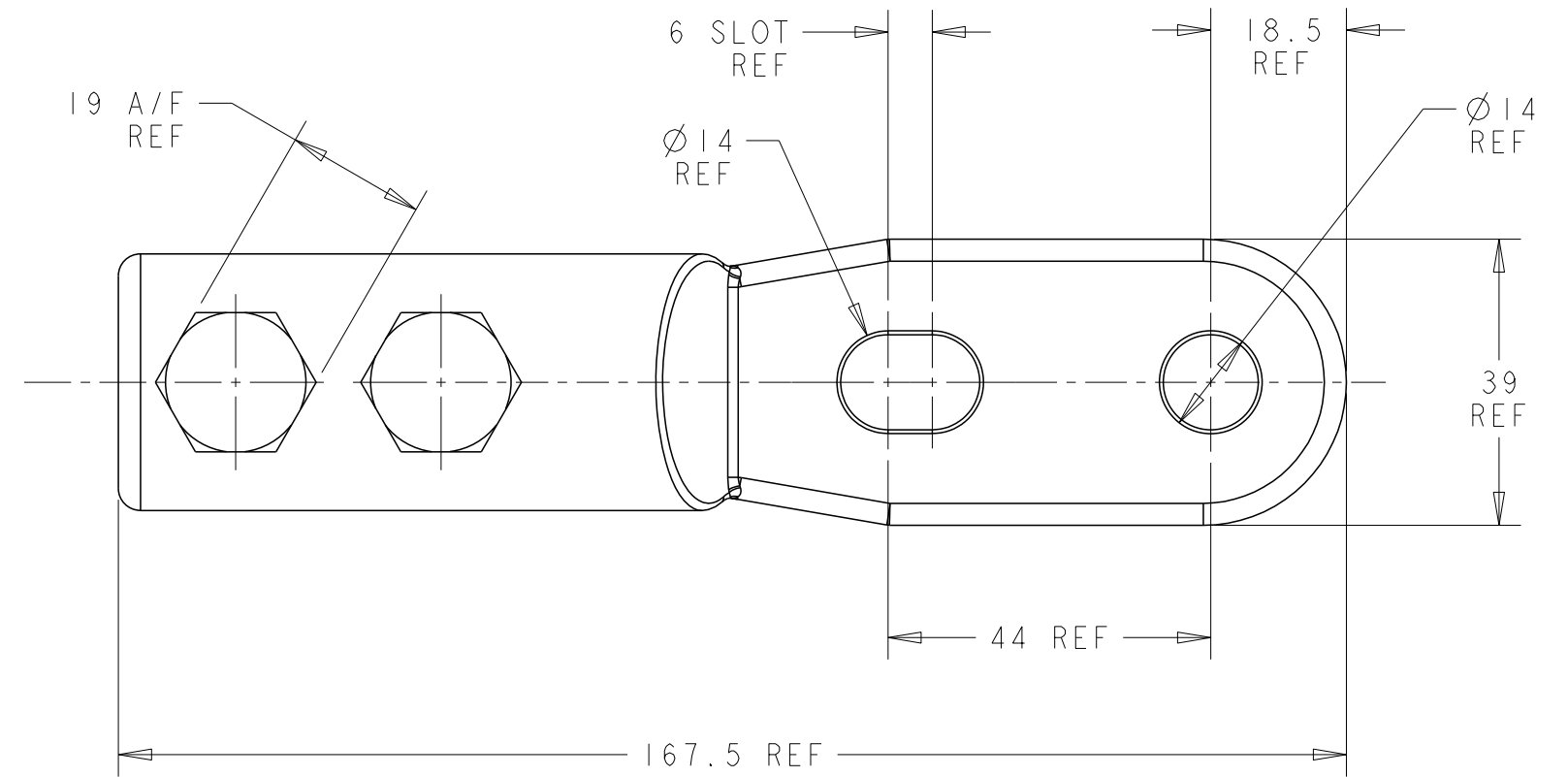
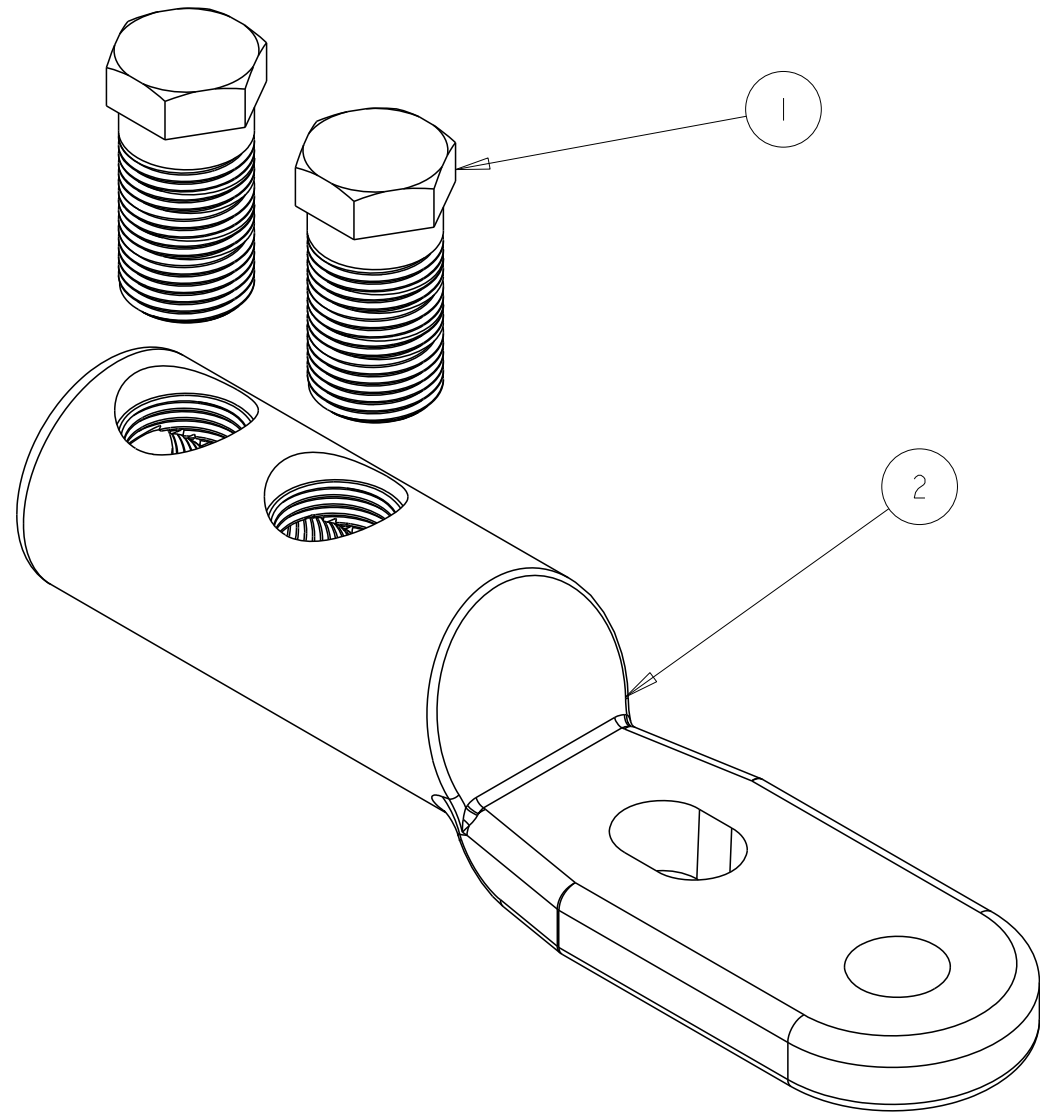


ITEM	PART/DRG NO	QTY	DESCRIPTION
1	01-701-0010	2	M18x1.5 19 A/F 41.0 LONG BRASS MULTI-SHEAR BOLT
2	BAH-014030023	1	MV ALUMINIUM END TERMINATION BODY - 35.0 O/D 20.9 I/D - OFFSET PALM OVERHEAD TYPE WITH Ø13.0 HOLES & SLOT



Material	VARIES	Part Description	- IF IN DOUBT ASK - DO NOT SCALE -
Finish	VARIES	MV ALUMINIUM END TERMINATION CONNECTOR -	
Tolerances (UOS)	-	35.0 O/D 20.9 I/D OFFSET PALM OVERHEAD TYPE WITH	
B&H Short Desc.	HVETM18OHUTC	Ø13.0 HOLES & SLOT c/w MULTI-SHEAR BOLTS	

A	FIRST ISSUE	BH-0110	26/08/15
Revision	Description	Name/DMR	Date
Design/Drawn	J ENGLISH	Date	26-Aug-15
TCPN	751966-000	Scale (UOS)	1:1
Part Weight	366.91g	THIRD ANGLE PROJECTION	A3
Drawing/Part No	BAH-024030026	Drawing Type	CUSTOMER
Rev	A		

REMOVE ALL BURRS AND SHARP EDGES - SURFACES TO BE FREE FROM SCRATCHES AND DEFECTS - ALL THREADS TO BS3643 PT 2

© 2015 TYCO ELECTRONICS UK LTD, WITHAM, UK