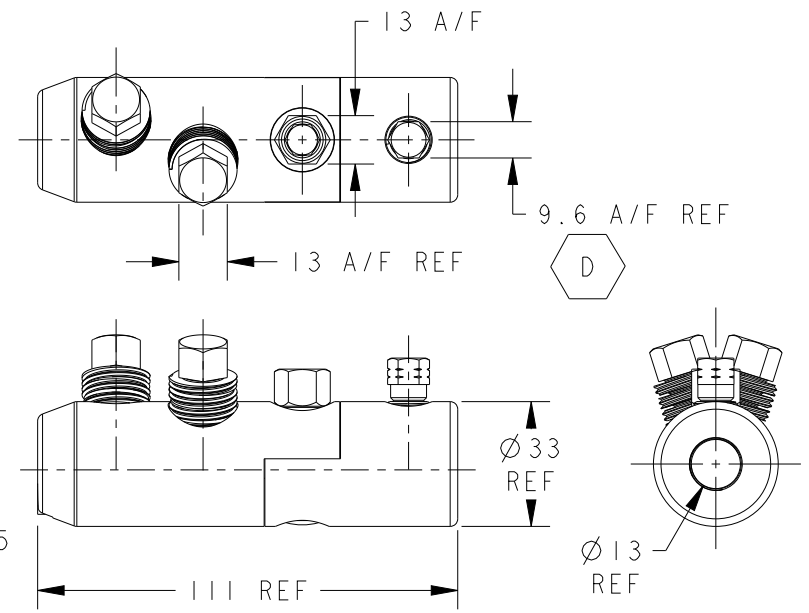
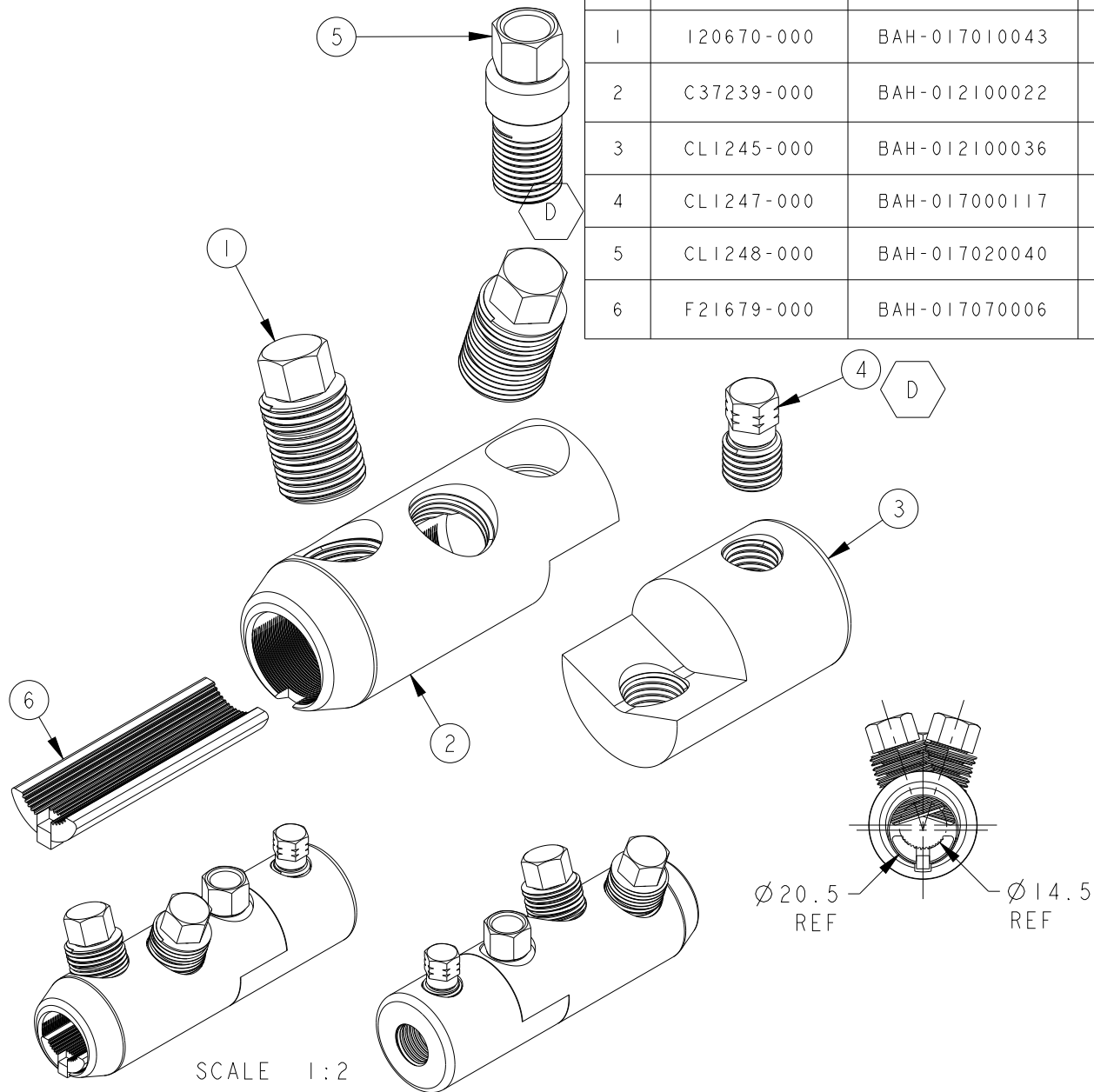


ITEM	PART/DRG NO	TCPN DESCRIPTION	REV	QTY	DESCRIPTION
1	I20670-000	BAH-017010043	E	2	M18x1.5 12.8 A/F 31.5 LONG BRASS MULTI-SHEAR BOLT WITH RECESSED END
2	C37239-000	BAH-012100022	E	1	11kV ALUMINIUM STRAIGHT VEE CONNECTOR FOR CIRCULAR SOLID CONDUCTOR - 33.5 O/D 20.5 I/D - (TAPERED ENDED) - C-BORED HALF
3	CL1245-000	BAH-012100036	A	1	MAGNEFIX MECHANICAL CONNECTOR BODY 33.0 O/D 13.0 I/D - THREADED HALF
4	CL1247-000	BAH-017000117	B	1	M12x1.5 10 A/F 21.5 LONG BRASS SINGLE-SHEAR BOLT WITH FLAT END
5	CL1248-000	BAH-017020040	E	1	M14x1.5 12.8 A/F 41.2 LONG ALUMINIUM MID-BOLT (REMOVABLE)
6	F21679-000	BAH-017070006	B	1	ALUMINIUM REDUCING INSERT - Ø19.5 O/D x Ø14.5 I/D x 55.0 LONG WITH ORIENTATION LUG (UN-PLATED)



SCALE 1:2

SCALE 1:2

D	ECR-21-116618	RK	08SEP21
C	HEX BOLT HEAD REDUCED AS PER ECR	BJ	10NOV20
B	ADD MISSING CIRCLE	GC-00002	10/01/19
A	FIRST ISSUE	BH-00298	10/08/07
Revision	Description	Name/DMR	Date
Design/Drawn	D M EATON	Date	10-Aug-07
Scale	(UOS) 3:4	TCPN	CL1246-000
Part Weight		Drawing/Part No	BAH-022100037
THIRD ANGLE PROJECTION		Drawing Type	ASSEMBLY/CUSTOMER
		Rev	D



Material	VARIABLES
Finish	VARIABLES
Tolerances (UOS)	-
B&H Short Desc.	BSMV95/240-MFX

- IF IN DOUBT ASK - DO NOT SCALE -  
**MAGNEFIX MECHANICAL CONNECTOR**  
 33.0 O/D 20.5/13.0 I/D  
 ( 95mm<sup>2</sup> TO 240mm<sup>2</sup> )

REMOVE ALL BURRS AND SHARP EDGES - SURFACES TO BE FREE FROM SCRATCHES AND DEFECTS - ALL THREADS TO BS3643 PT 2

© 2017 TYCO ELECTRONICS UK LTD, WITHAM, UK