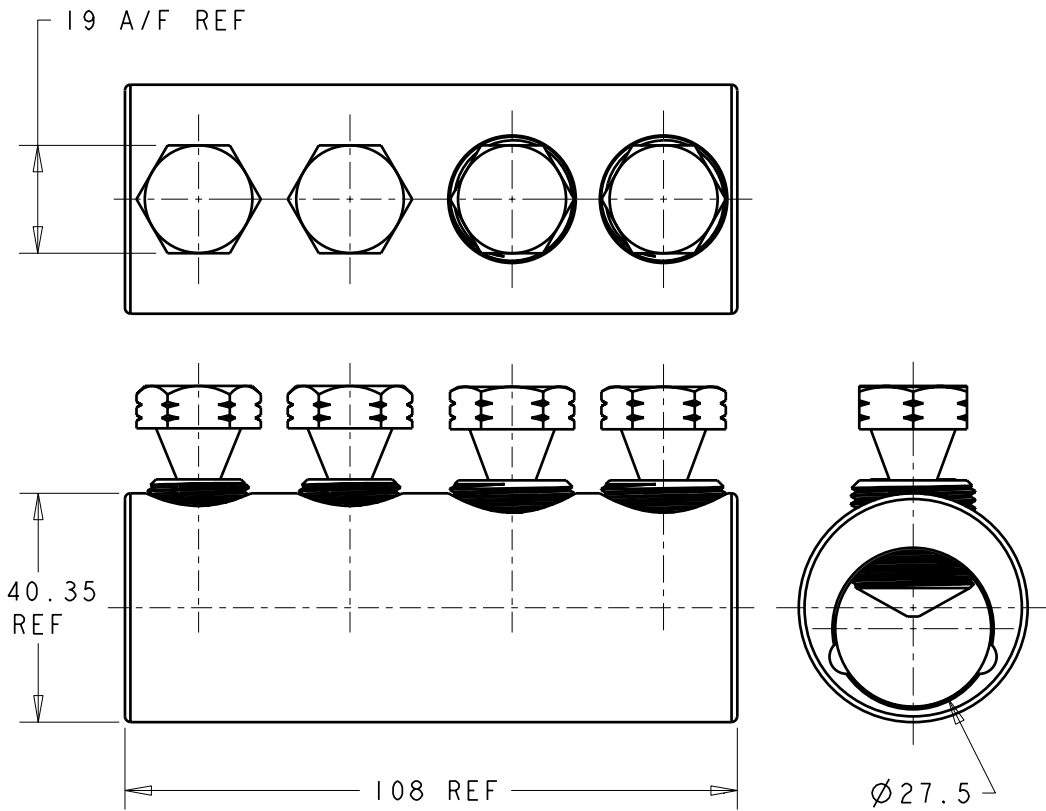



ITEM	PART/DRG NO	QTY	DESCRIPTION
1	BAH-012090095	1	11kV ALUMINIUM STRAIGHT BLOCKED CONNECTOR BODY - BROACHED TYPE 40.35 O/D 27.5/19.0 I/D (ELECTRO-TIN PLATED)
2	BAH-017000125	2	M18x1.5 19 A/F 39.5 LONG ALUMINIUM SINGLE-SHEAR BOLT (WAXED)
3	BAH-017000127	2	M22x1.5 19 A/F 40.5 LONG ALUMINIUM SINGLE-SHEAR BOLT (WAXED)




**Tyco Electronics**  
 Tyco Electronics UK Ltd, Freebournes Road,  
 Witham, Essex, CM8 3AH, UK.  
 Tel: +44 870 870 7500 Fax: +44 870 240 5289

Material	VARIES
Finish	VARIES
Tolerances (UOS)	-
B&H Short Desc.	SBA2719PGB/AG2W

Part Description  
**11kV ALUMINIUM STRAIGHT BLOCKED CONNECTOR**  
**- BROACHED TYPE 40.35 O/D 27.5/19.0 I/D**  
**(ELECTRO-TIN PLATED & WAXED BOLTS)**

A		FIRST ISSUE		BH-00523	15/10/08
Revision	Description			Name/DMR	Date
Design/Drawn	D M EATON	Date	15-Oct-08	Scale (UOS)	3:4
PCN/RPN No	CN4419-000	Checked/Approved by		 THIRD ANGLE PROJECTION	A4
Drawing/Part No	BAH-022090096	Drawing Type			
		ASSEMBLY/CUSTOMER			A