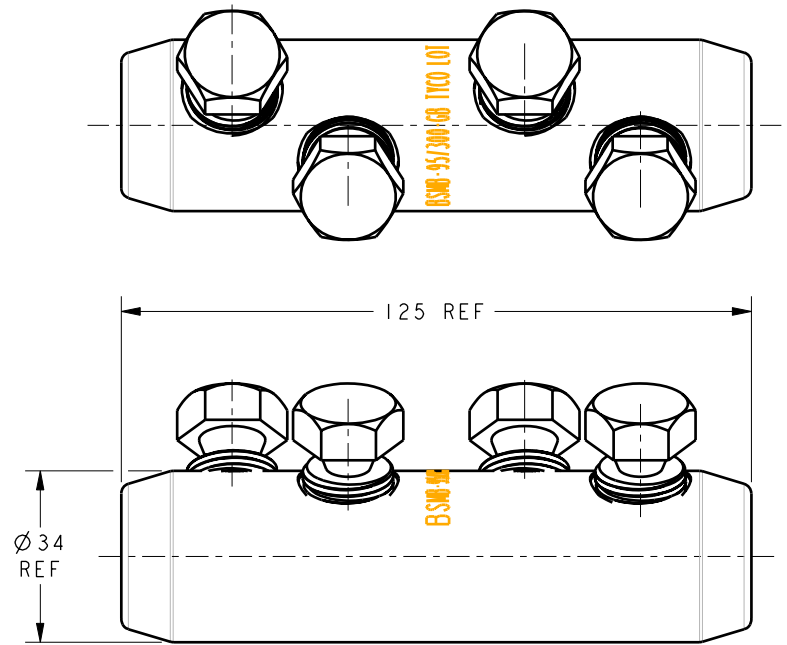
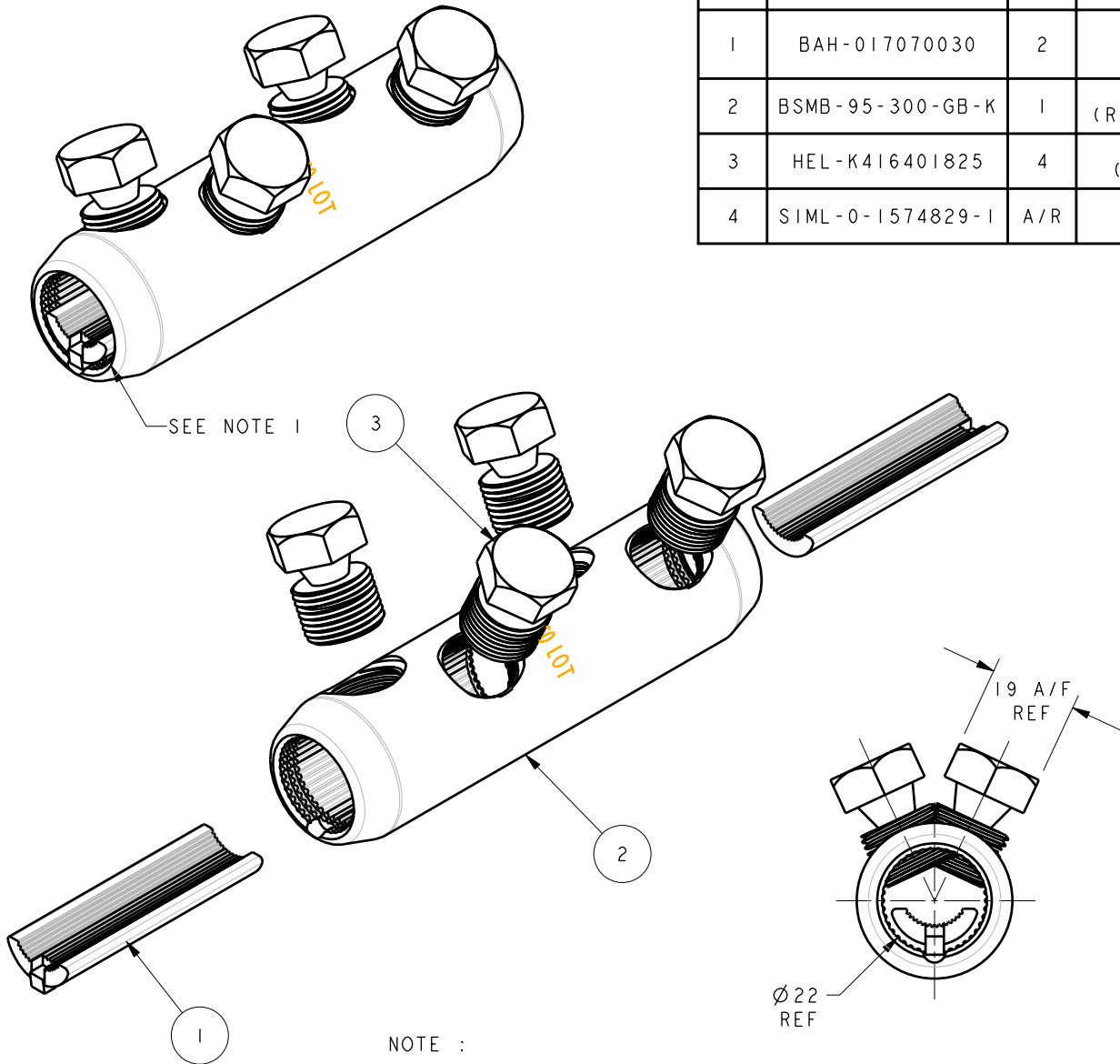


ITEM	PART/DRG NO	QTY	DESCRIPTION
1	BAH-017070030	2	ALUMINIUM REDUCING INSERT, 19.5 O/D 14.5 I/D 60.0 LONG c/w ORIENTATION LUG (ELECTRO TIN PLATED)
2	BSMB-95-300-GB-K	1	CORPS / BODY BSMB-95/300-GB-K (RPN: D66316-000 - PN: BSMB-95/300-GB-K - SIMEL 1701210-3)
3	HEL-K416401825	4	VIS M18X1.5 BSM-95/240... (RPN: D97501-000 - PN: HEL-K416401825 - SIMEL 1510482)
4	SIML-0-1574829-1	A/R	GREASE CONTACTSIM - SVT S0027 (RPN: E91011-000)



NOTE :

1. GREASE (ITEM 4) TO BE APPLIED TO BOTH INSERT'S AND UP TO MID-HEIGHT OF BOTH CONNECTOR BORE'S TO A DEPTH OF 59mm.

Tyco Electronics
Tyco Electronics UK Ltd, Freebournes Road,
Witham, Essex, CM8 3AH, UK.
Tel: +44 870 870 7500 Fax: +44 870 240 5289

Material	VARIES
Finish	VARIES
Tolerances (UOS)	-
B&H Short Desc.	BSMB-95/300-GB

Part Description	- IF IN DOUBT ASK - DO NOT SCALE -
11kV STRAIGHT BLOCKED CONNECTOR	

E	PART NUMBER BAH-017070030 WAS BSM-95-240-E-Z	BH-00500	14/08/08
D	'ITEM 3' : HEL-K416401825 was BAH-017010013	BH-00080	27/07/05
C	ITEM 2, 1701210-3 was 1701210, BSMB-95/300-GB-K was BSM-95/240U D34	BH-00014	04/01/05
B	GREASE NOTE ADDED	MLL	20.5.04
A	FIRST ISSUE	MLL	13.5.04
Revision	Description	Name/DMR	Date
Design/Drawn	MLEE	Date	13 MAY 2004
		Scale (UOS)	23
PCN/RPN No	A96752-000	Checked/Approved by	
Drawing/Part No	BAH-022080042	Drawing Type	ASSEMBLY/CUSTOMER
		Rev	E

REMOVE ALL BURRS AND SHARP EDGES - SURFACES TO BE FREE FROM SCRATCHES AND DEFECTS - ALL THREADS TO BS3643 PT 2

© 2008 TYCO ELECTRONICS UK LTD, WITHAM, UK