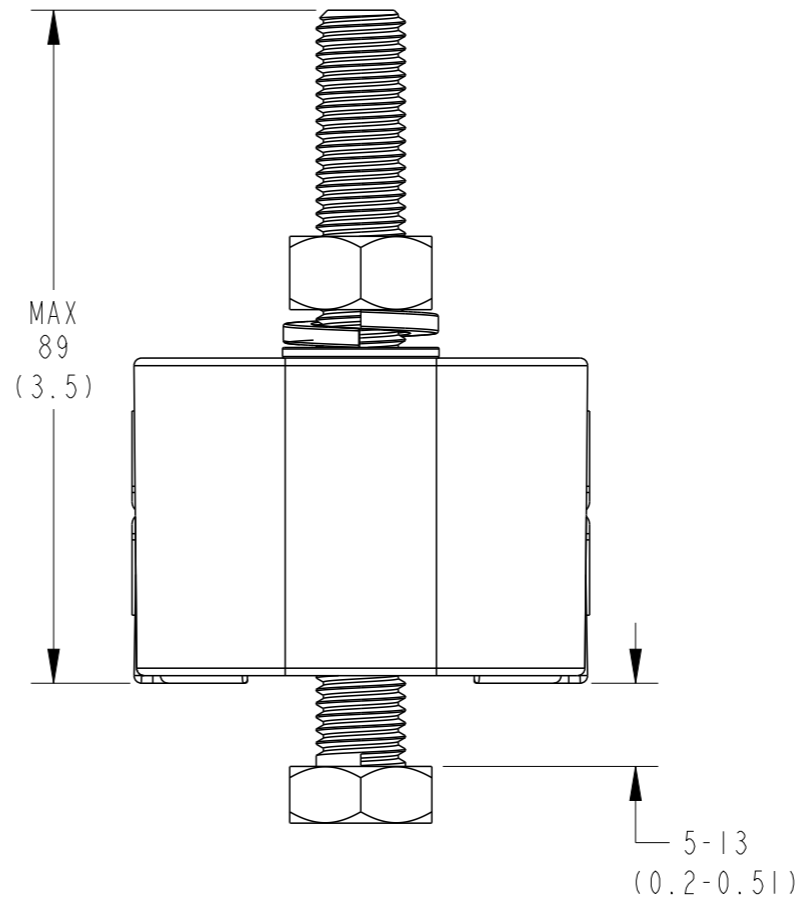
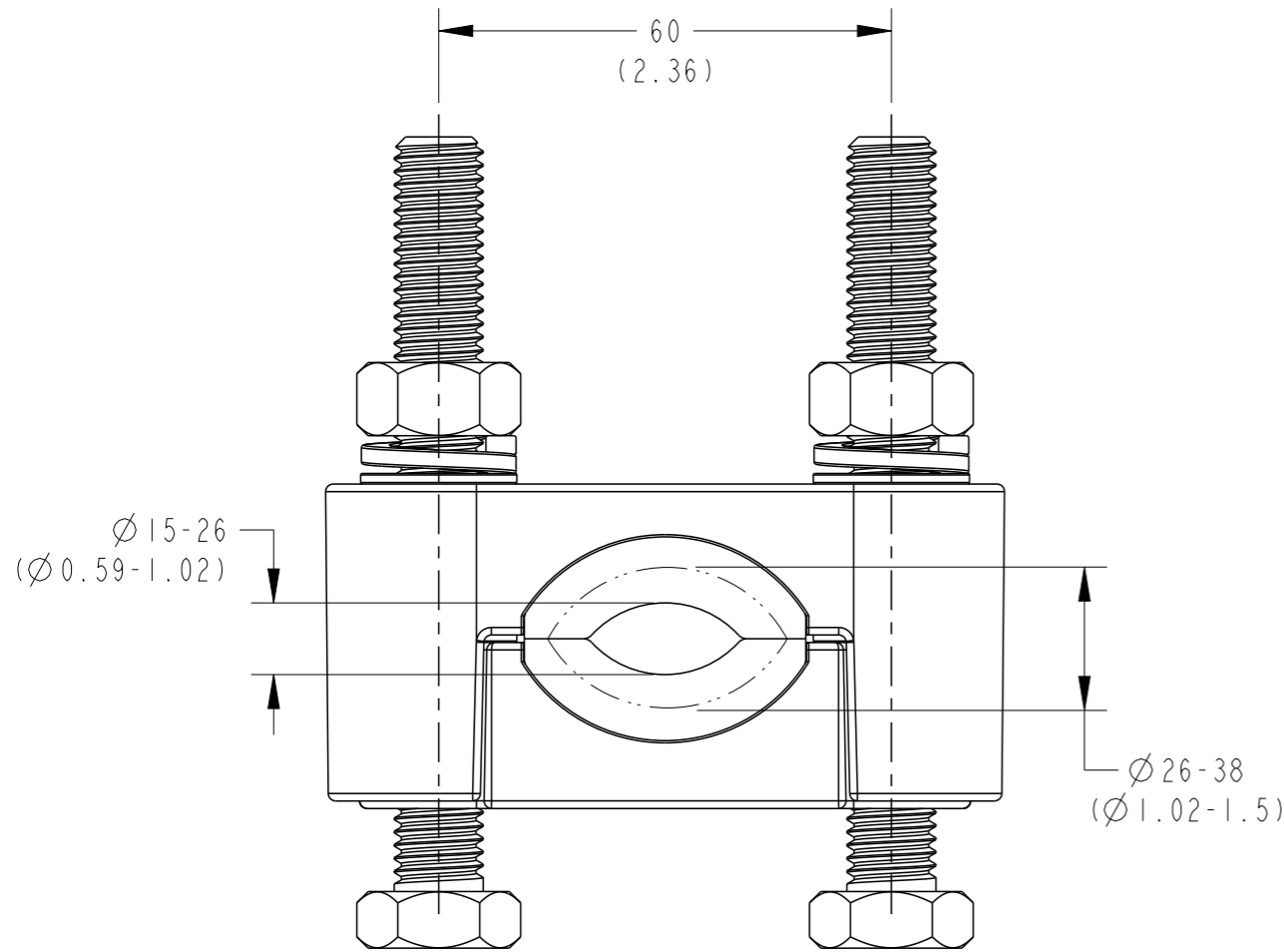
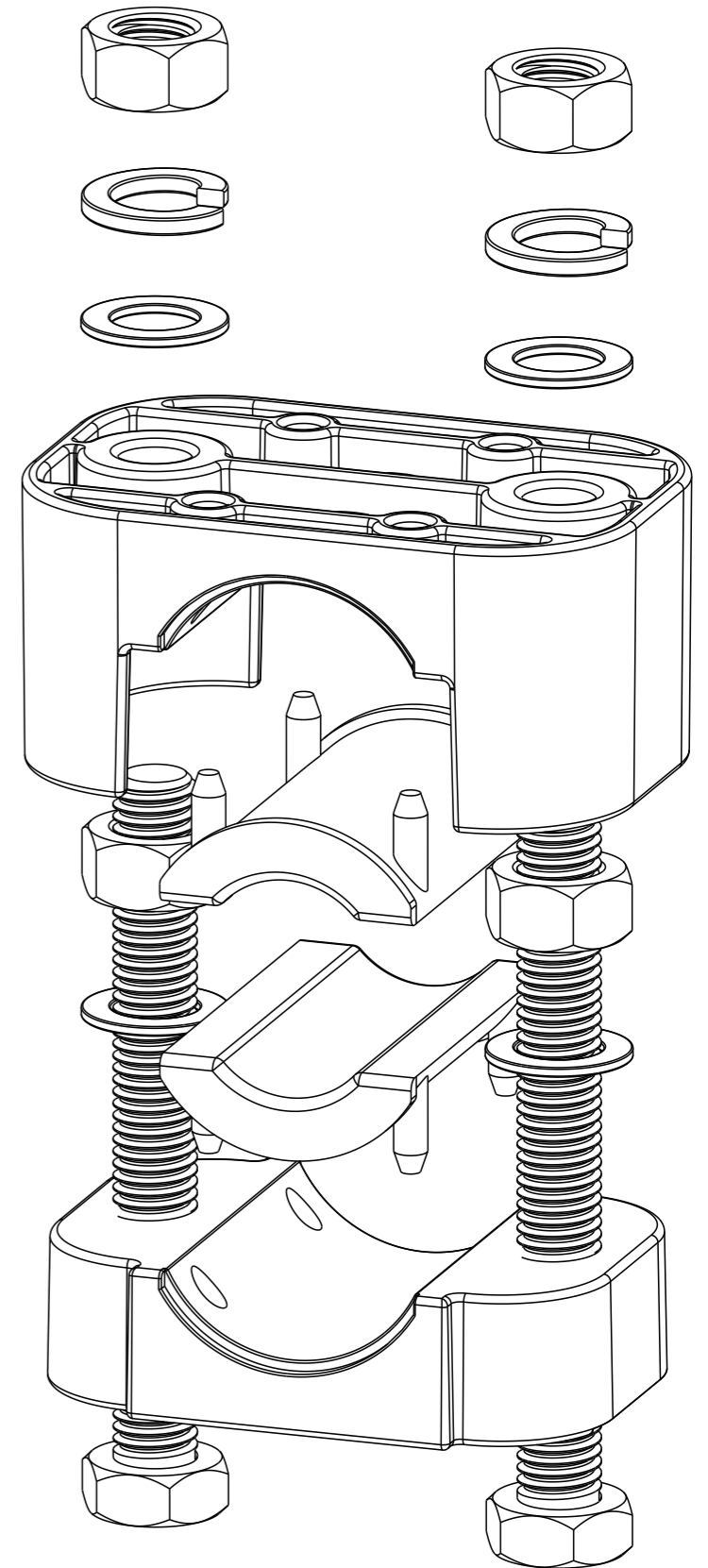


PART NO.	CATALOGUE NO.
EJ2740-000	CC15-26-FM-MI2
BM9036-000	CC26-38-FM-MI2



LOC	REV	DESCRIPTION	DATE	DWN	APVD	MATERIAL NO	MATL SPEC/STD/DRG NO	PROCESS SPEC HEAT TREAT/PLATING NO	SIZE	PROJECTION	SCALE	DRAWING NO	SHEET	OF	REV
	2	CC15-26-FM-MI2 ADDED TO LIST	4/5/2016	DG	AT				A3	3RD ANGLE	1:1	AU34602	1	1	2
	1	NEW RELEASE	8/9/15	DG	AT										
<p style="text-align: center;"><b>REVISION RECORD</b></p>															

IMPLIED NOTES		IMPLIED TOLERANCES		TCPN REFER TABLE	
BURRS AND SHARP EDGES REMOVED	HOLE DIA AND LOCATIONS. $\pm 0.5\text{mm}$	PART Alias UTX/DUL	TITLE		
SCREW THREADS ARE TO AS 1275	DIMENSIONS UP TO 30mm. $\pm 1.5\text{mm}$	-	CABLE CLEAT $\varnothing 15-026$ & $\varnothing 26-038$		
DO NOT WORK TO DIMS MARKED REF	DIMENSIONS OVER 30mm. $\pm 5\%$	Cat No	FLAT MOUNT TYPE MI2		
SURFACE FINISH 6.3 U.N.O.	UP TO A MAX OF. $\pm 5\text{mm}$	-	DRAWN DG		
DIMS ARE IN mm. DO NOT SCALE	ANGULAR DIMENSIONS. $\pm 5^\circ$	-	DATE 8/9/15		
			CHECKED RN		
			APPROVED AT		

MATERIAL DESC			MATERIAL SPEC/STD/DRG NO			PROCESS SPEC HEAT TREAT/PLATING NO			DRAWING NO			SHEET OF		
-			-			-			AU34602			1 1		
-			-			-			-			-		