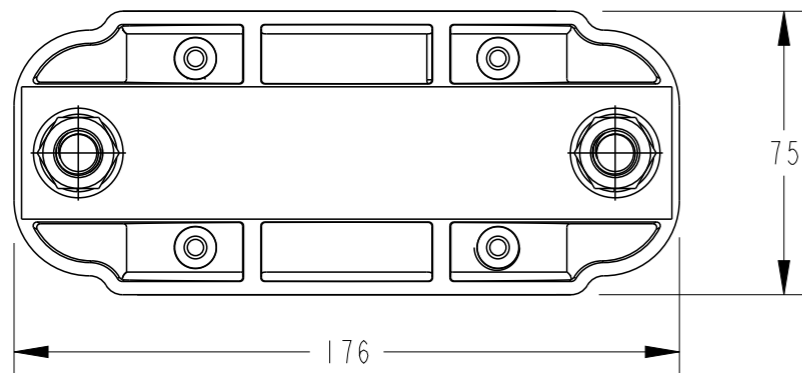
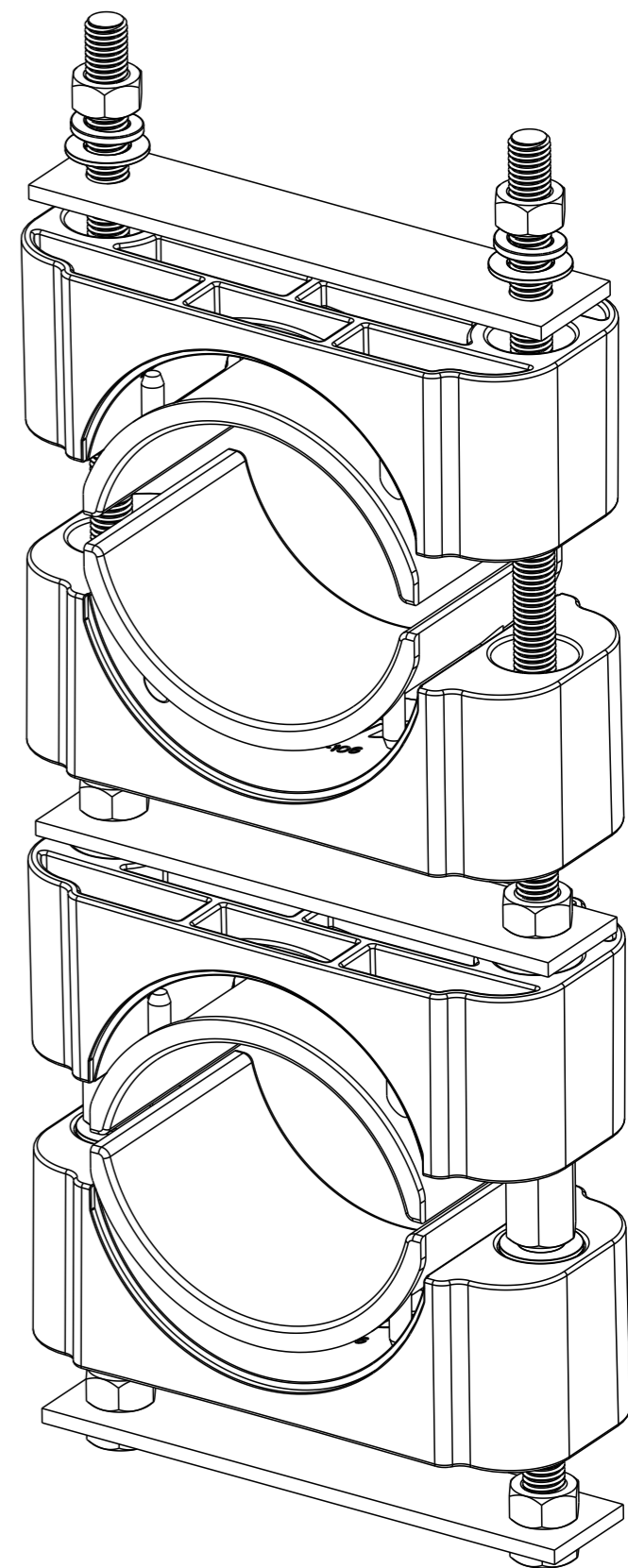
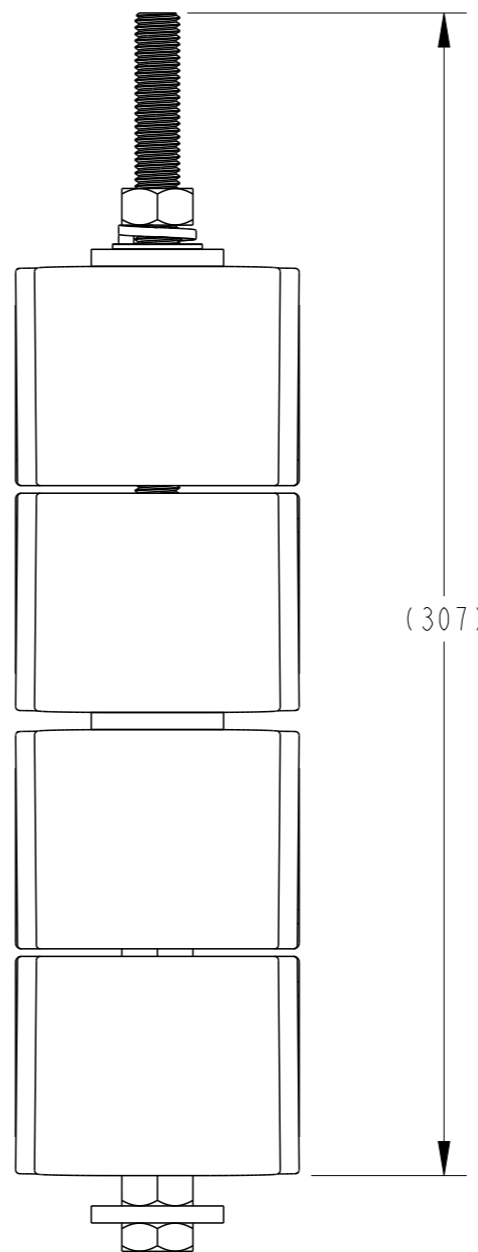
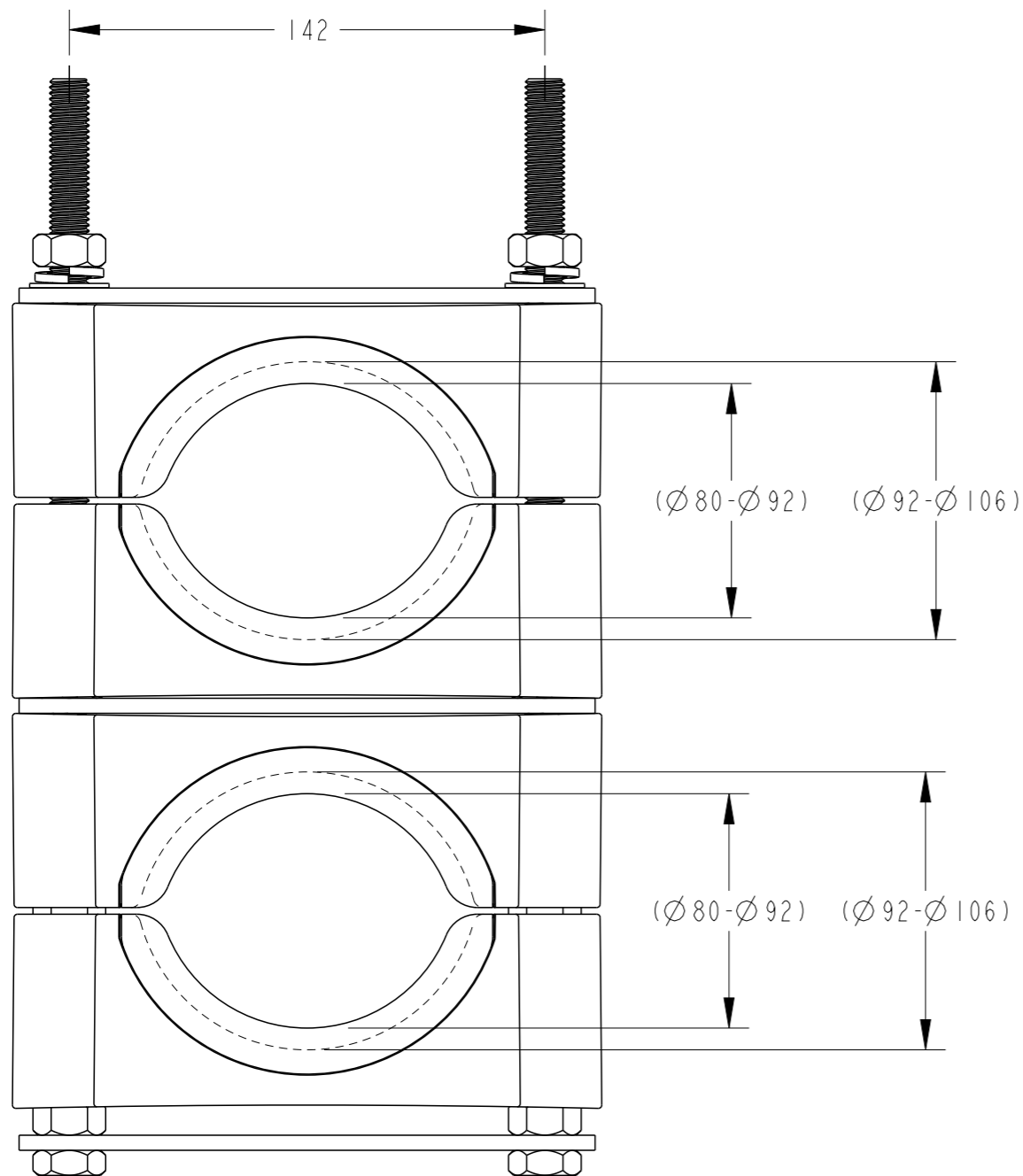


DRAWING NO
AU29483
THIS DRAWING IS A CONTROLLED DOCUMENT



PART NO.	CATALOGUE NO.
EF8417-000	CC80-92-PL-M12-DOUB
EF8419-000	CC92-106-PL-M12-DOUB



THIS INFORMATION IS CONFIDENTIAL AND PROPRIETARY TO TE CONNECTIVITY CORPORATION AND ITS WORLDWIDE SUBSIDIARIES AND AFFILIATES. IT MAY NOT BE DISCLOSED TO ANYONE, OTHER THAN TE CONNECTIVITY PERSONNEL, WITHOUT WRITTEN AUTHORIZATION FROM TE CONNECTIVITY CORPORATION, AUSTRALIA.

LOC												TCPN REFER TABLE	TITLE CABLE CLEAT Ø80-Ø92 AND Ø92-Ø106 SLIDER PLATE				
DIST	—	I	NEW RELEASE	19-09-2014	RN	AT	MATERIAL DESC -	MATL SPEC/STD/DRG NO -	PROCESS SPEC HEAT TREAT/PLATING NO -			Cat No REFER TABLE	DATE 19-09-2014 DRAWN RN CHECKED RN APPROVED AT	TE Connectivity 2/3 Corella Close Berkeley Vale NSW 2261 Australia			
POS	REV	REVISION RECORD			DATE	DWN	APVD	MATERIAL NO -	MATL SPEC/STD/DRG NO -	PROCESS SPEC HEAT TREAT/PLATING NO -	SIZE A3	PROJECTION 3RD ANGLE	SCALE 1:2	DRAWING NO AU29483	SHEET 1	OF 1	REV 1

Format: generic_m03.au.r1.frm 4

Template: tec_generic_a3.metric.au.r1.drw 3

Dwg No from P1 Mod Fam Tbl: 2 AU29483

D

C

B

A