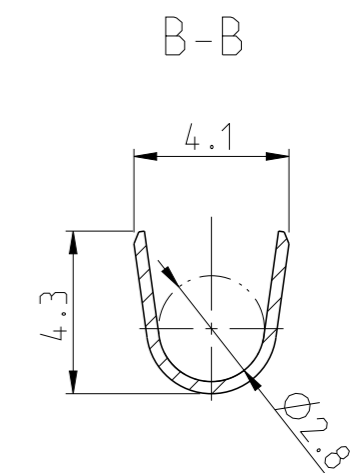
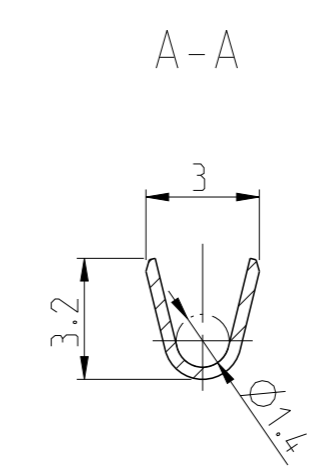
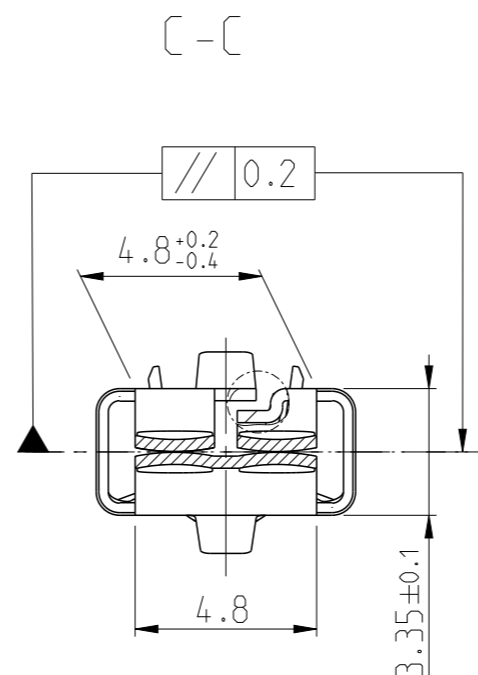
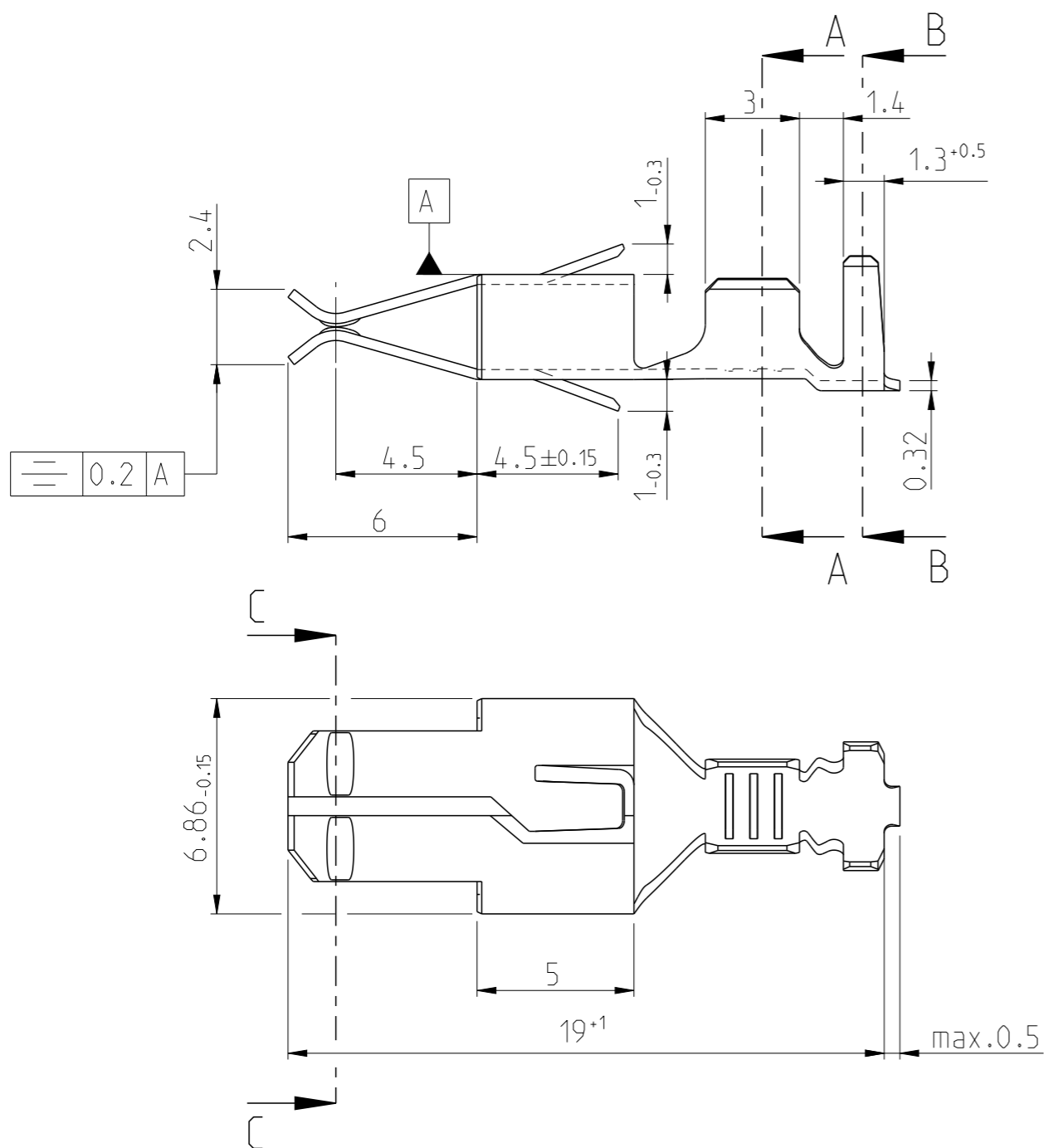


REVISIONS

P	LTR	DESCRIPTION	DATE	DWN	APVD
A1		Anpassung an Produktzeichnung	26.04.96	Kue.	Bart.
A2		DRAWING ENGLISH VERSION	29.06.98	Kue.	Bart.
B		DRAWING ADAPTED ECR-10-016842	23AUG2010	J.Salo	L.Battlo
B1		ECR-14-007191	28OCT2014	SK	JP



Note
 1 Obsolete

WIRE RANGE (mm ²)					
	SINGLE CRIMP	0.50	0.75	1.00	1.50
0.50	X	X			
0.75	X				
1.00	X				
1.50	X				

TE PART NO.	REV.	MATERIAL	SURFACE	DESCRIPTION	ITEM NO.
0-969036-4	B	CuNiSi	PRETINNED	STANDARD-POWER-TIMER REC.	4
1 0-969036-3	B	CuFe	PRETINNED	STANDARD-POWER-TIMER REC.	3
1 0-969036-2	B	CuSn	PRETINNED	STANDARD-POWER-TIMER REC.	2
1 0-969036-1	B	CuZn	PRETINNED	STANDARD-POWER-TIMER REC.	1

CONTACT USED FOR:
 Kontakt geeignet fuer:

WIRE RANGE 0.5-1.5MM²
 Drahtgroßenbereich 0.5-1.5mm²

INSULATION RANGE Ø2.0-3.0mm
 Isolationsbereich Ø2.0-3.0mm

THIS DRAWING IS A CONTROLLED DOCUMENT.

DWN H.-J.Kuerschner 23APR1998
 CHK G.Bartosch 23APR1998
 APVD H.-J.Zander 13JUL1998

NAME: STANDARD-TIMER REC.WITH TWO LOCK.SPRINGS
 Standard-Timer Kontakt mit zwei Rastfedern

SIZE: A3 CAGE CODE: 00779 DRAWING NO: 969036 RESTRICTED TO: -

Customer Drawing SCALE: 5:1 SHEET: 1 OF 1 REV: B1