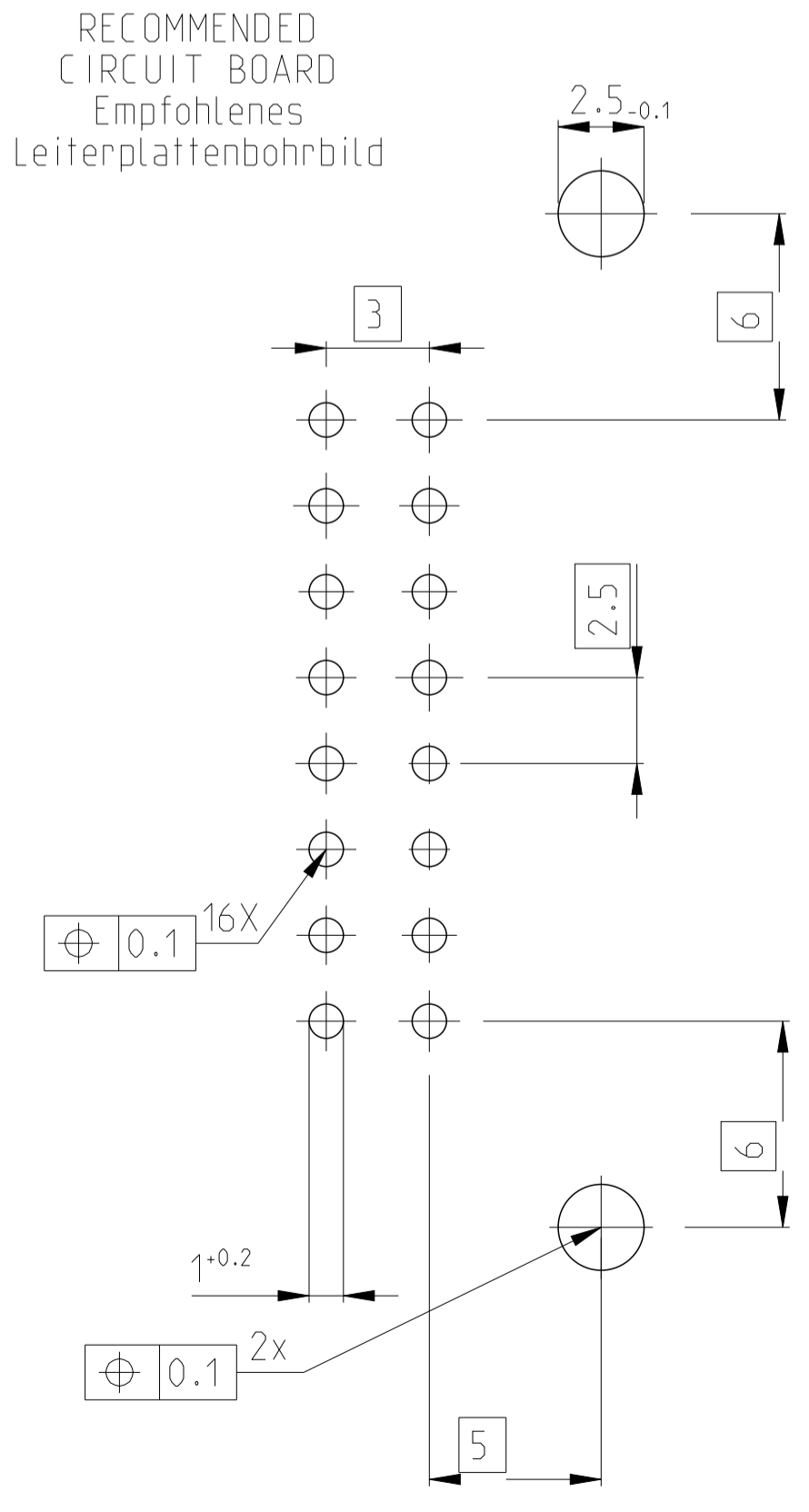
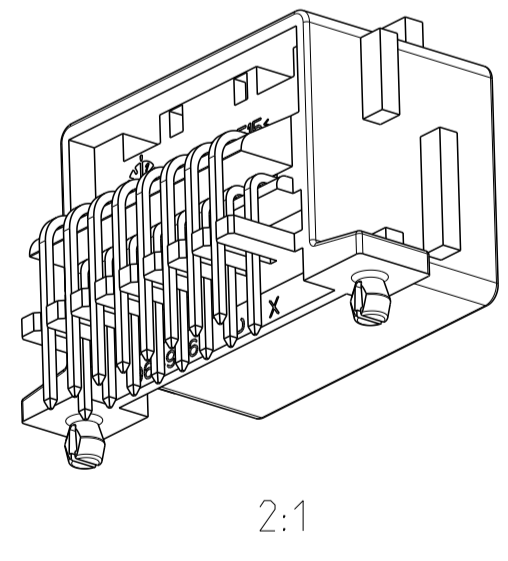
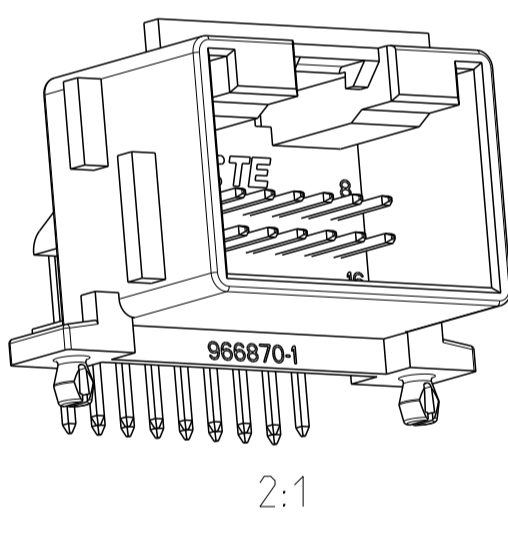
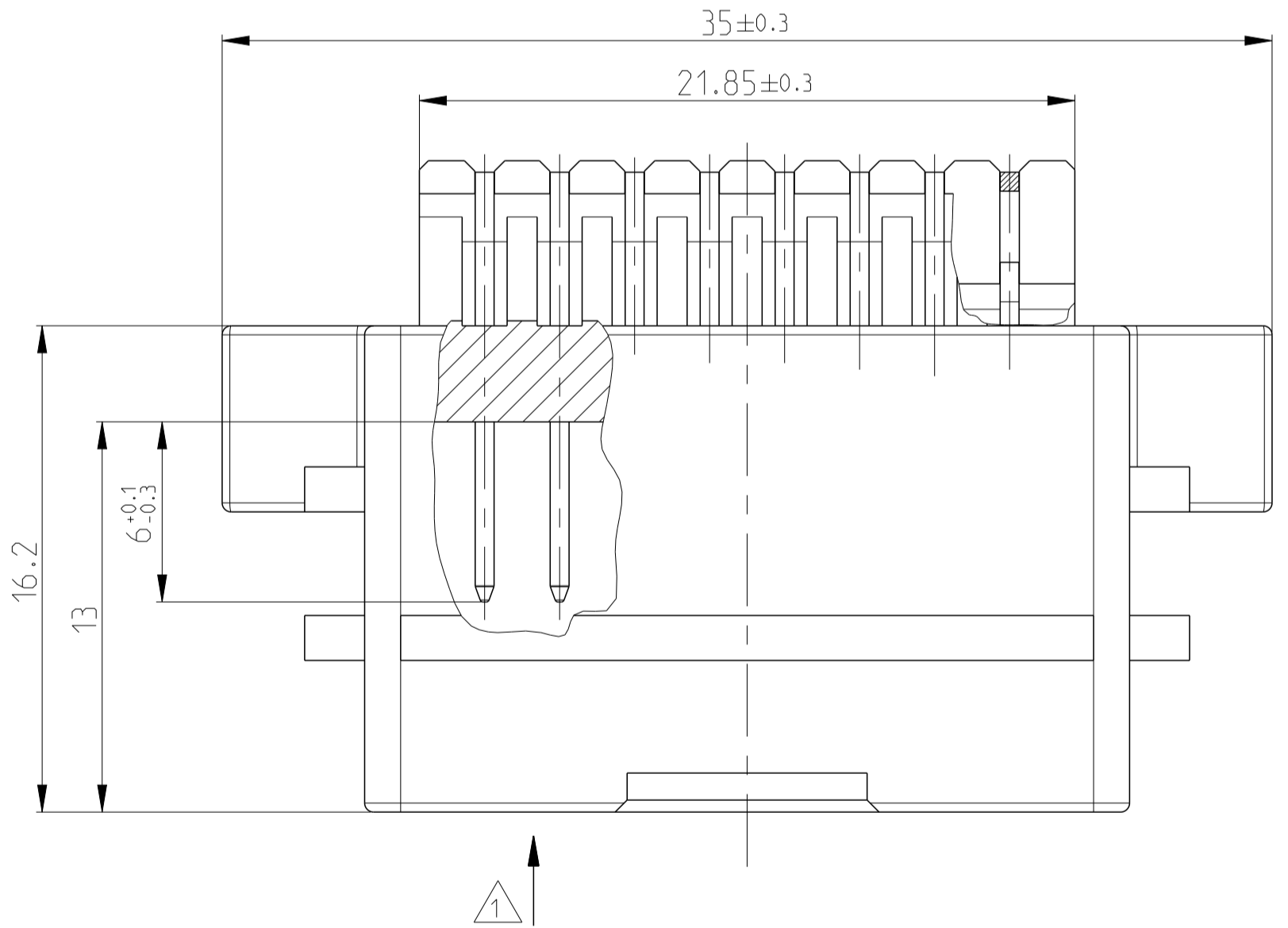
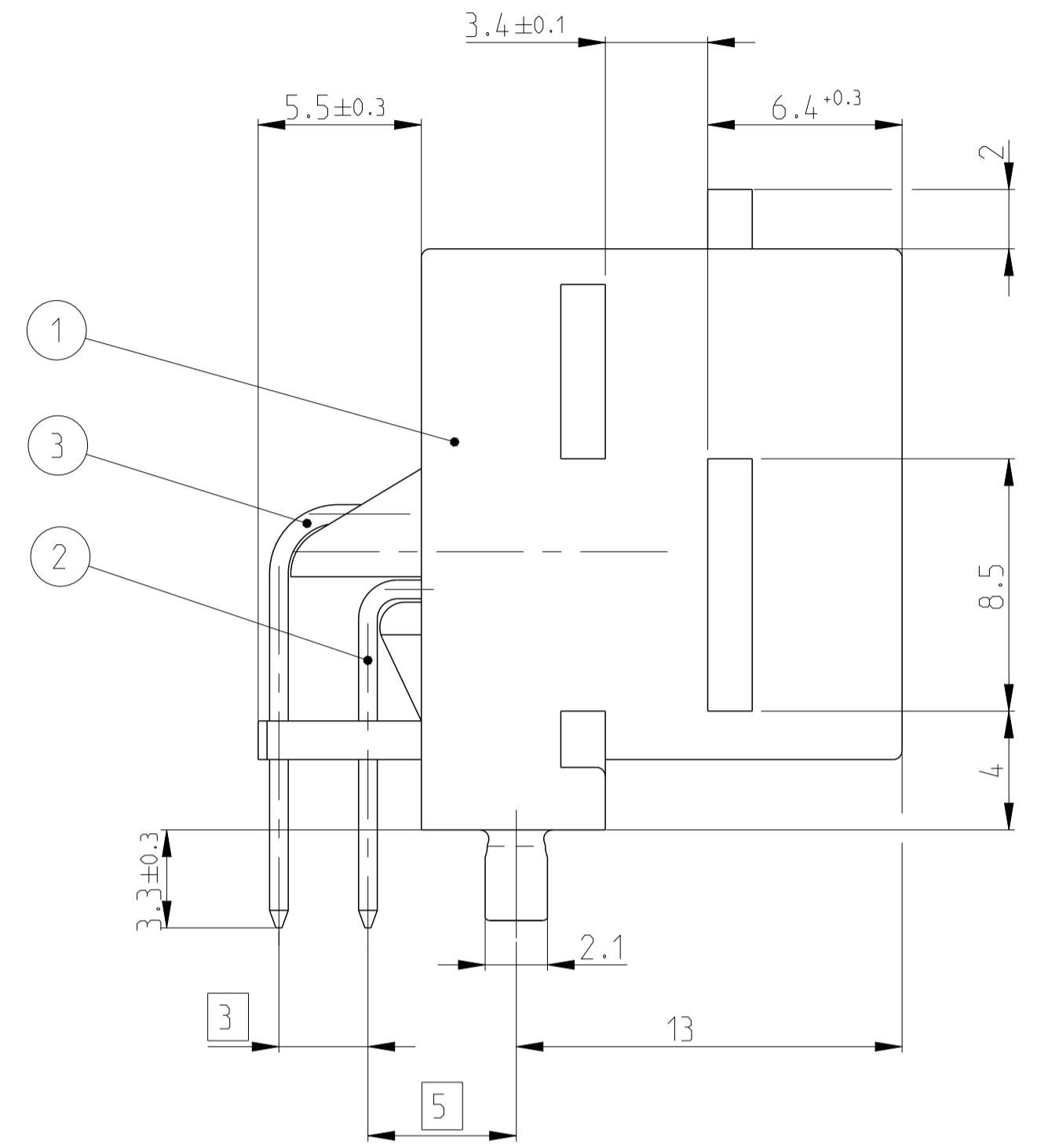
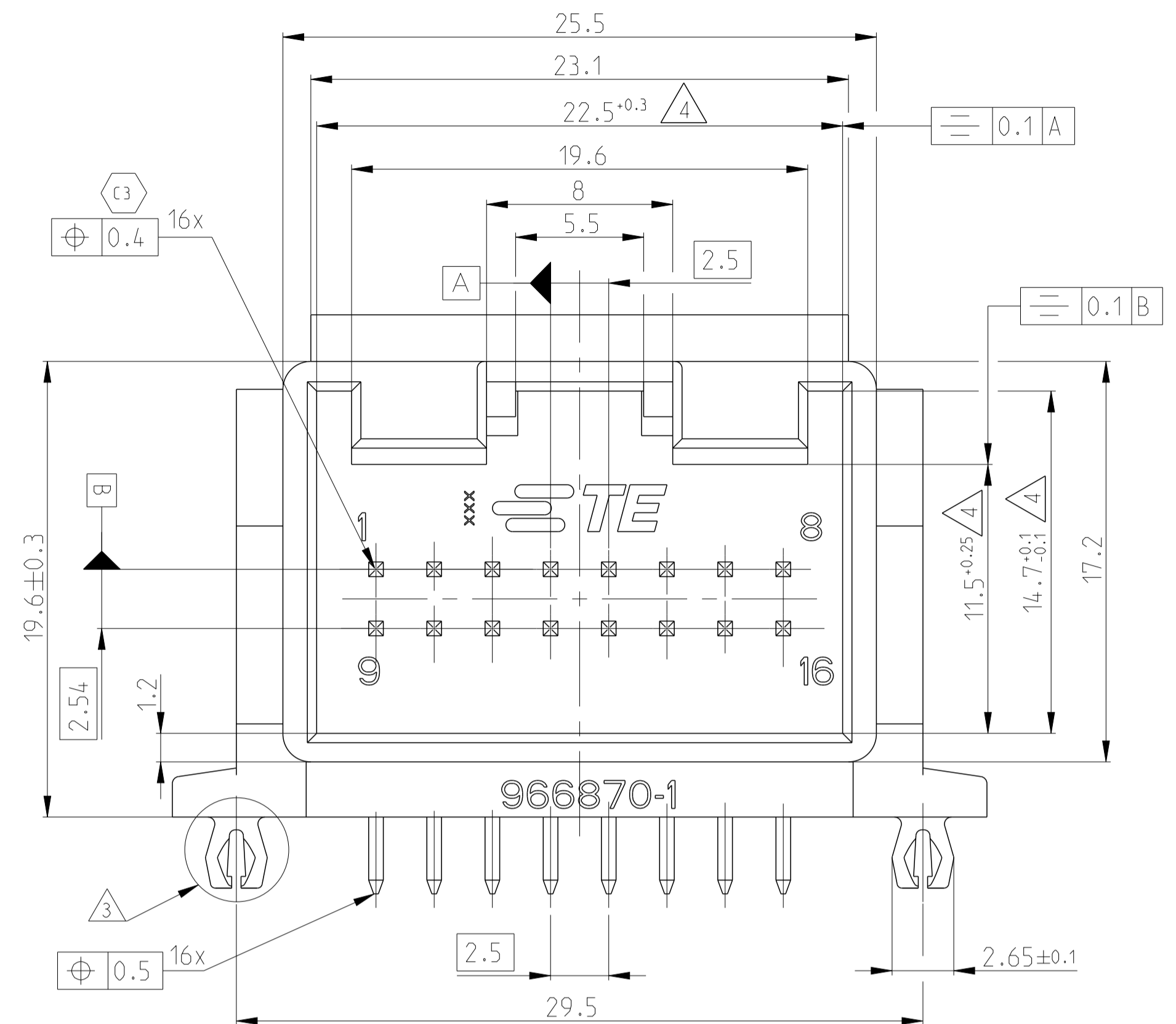
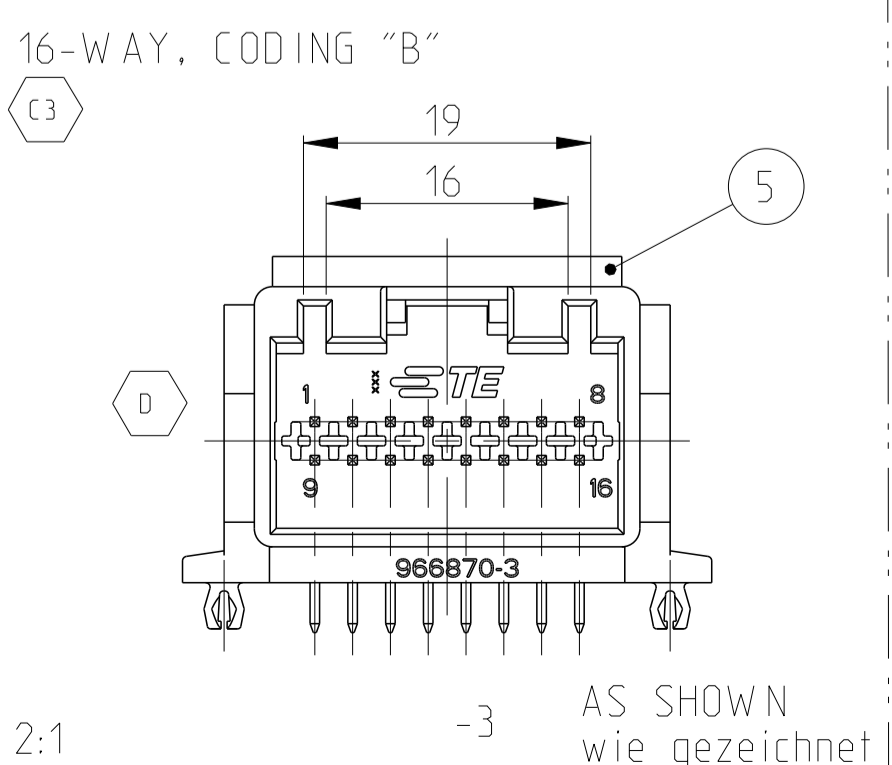
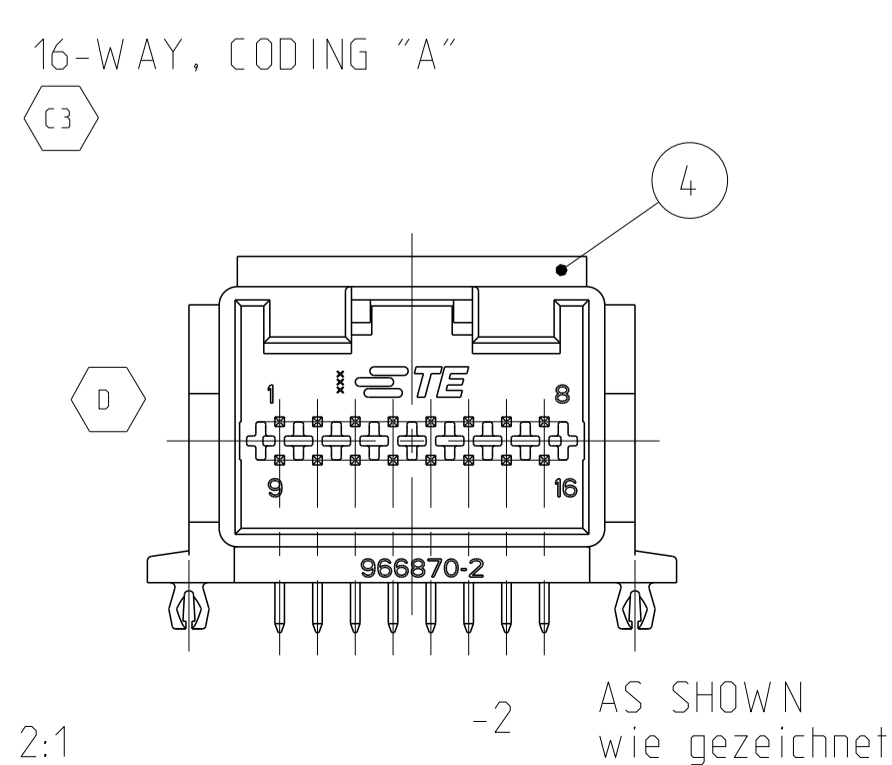


PROJECT NO. A95-55355		REVISIONS			
P	LTN	DESCRIPTION	DATE	DMN	APVD
C1		Revision angepasst	31JAN2001	KS	-
C2		NEW PACKAGING	04MAR2009	PS	MZ
C3		NEW VERSIONS ADDED	27SEP2016	J.B.JH	GB
D		UPDATED REVISION FOR -2 AND -3 VARIANT	09JUL2018	SCK	GB



- 1 CONTACT PRESS OUT FORCE MIN. 40N  
Kontaktausdrueckkraft min. 40N
- 2 SUITABLE CONNECTOR/Passender Anschlussstecker:  
  
SHIELDS VW/AUDI : 969421  
Abdeckkappen VW/Audi : 969444  
  
SHIELDS NEUTRAL : 969545  
Abdeckkappen Neutral : 1355361  
  
CONTACT HOUSING : 828929-2  
Kontaktgehäuse : 966596-X
- 3 LOCKING PIN FOR PCB THICKNESS 1.5mm  
Rastzapfen fuer Leiterplattendicke 1.5mm
- 4 TOOL DEPENDENT WARPAGE MAX. ±0.3 PERMITTED  
Formbedingter Einfall max. ±0.3 zul.
- 5 PACKAGING A/ Verpackung A:  
  
BOX PN 740906-1  
Karton PN  
  
TRAY PN 740966-2  
Tray PN  
  
CORRUCATED INNER LAYER (338x535mm)  
Zwischenlage  
  
6 PACKAGING B/ Verpackung B:  
  
BOX PN 740906-1  
Karton PN  
  
TRAY PN 740966-2  
Tray PN  
  
BAG PN 1379066-3  
Beutel PN

-1 AS SHOWN  
wie gezeichnet



TE-ORDER-NO.	REV.	CODING	PACKAGING	DESCRIPTION	SURFACE COLOR	MATERIAL	QTY.	ITEM NO.
1-966870-1	C	A	B	MODU II PIN (26.9mm)	TIN-PLATED	CuSn6	8	3
				MODU II PIN (21.7mm)	TIN-PLATED	CuSn6	8	2
				2X8 POS. PIN-HEADER	BLACK	PBT-GF 15	1	1
966870-3	D	B	A	MODU II PIN (26.9mm)	TIN-PLATED	CuSn6	8	3
				MODU II PIN (21.7mm)	TIN-PLATED	CuSn6	8	2
				2X8 POS. PIN-HEADER	BLACK	PBT-GF 15	1	5
966870-2	D	A	A	MODU II PIN (26.9mm)	TIN-PLATED	CuSn6	8	3
				MODU II PIN (21.7mm)	TIN-PLATED	CuSn6	8	2
				2X8 POS. PIN-HEADER	BROWN	PBT-GF 15	1	4
966870-1	C	A	A	MODU II PIN (26.9mm)	TIN-PLATED	CuSn6	8	3
				MODU II PIN (21.7mm)	TIN-PLATED	CuSn6	8	2
				2X8 POS. PIN-HEADER	BLACK	PBT-GF 15	1	1

THIS DRAWING IS A CONTROLLED DOCUMENT. DIMENSIONS: mm. TOLERANCES UNLESS OTHERWISE SPECIFIED: 1. PLC ±0.1, 2. PLC ±0.2, 3. PLC ±0.3, 4. ON UNITS ±0.1, 5. ON UNITS ±0.2, 6. ON UNITS ±0.3. FINISH: ±2°.

OWN: K.Sellien 07/MAR1996  
CHK: B.Kirsch 07/MAR1996

NAME: AMPMODU MODU II Stiftleiste, 2x8 pol.  
PRODUCT SPEC: -  
APPLICATION SPEC: -

SIZE: A1 CAGE CODE: 00779 DRAWING NO: 966870 RESTRICTED TO: -  
WEIGHT: 5.667g  
MATERIAL: -  
CUSTOMER DRAWING: -

SCALE: 5:1 SHEET: 1 OF 1 REV: D