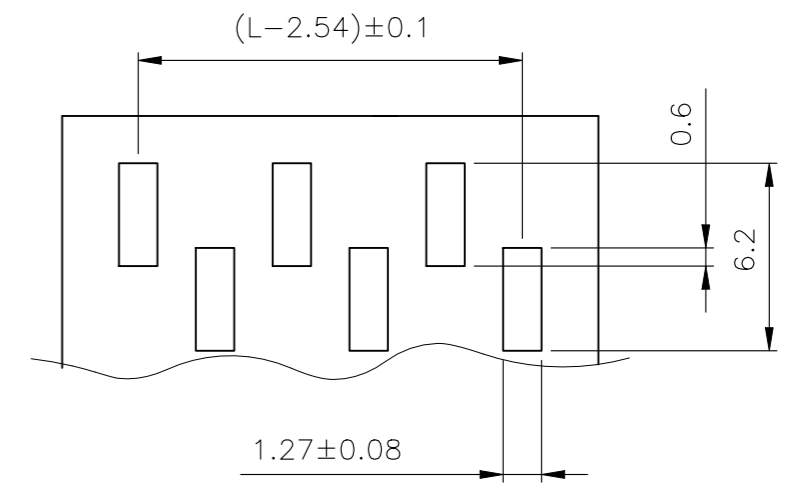
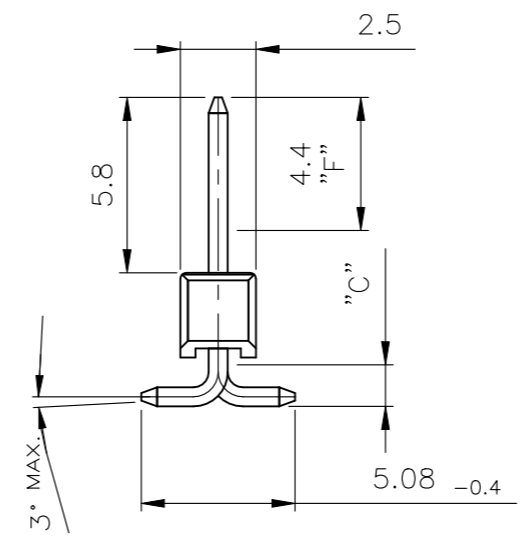
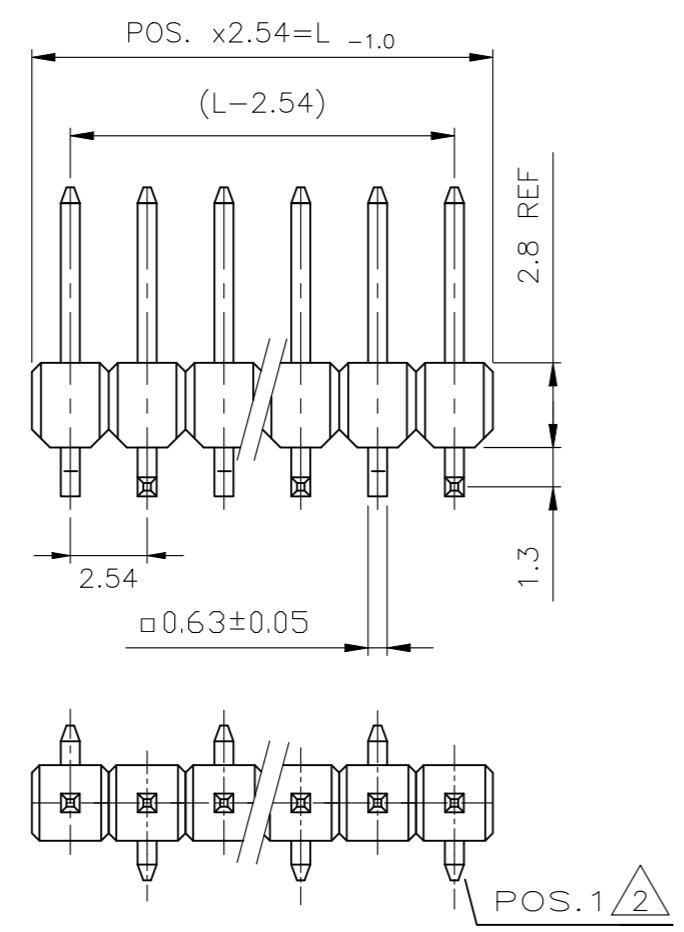


REVISIONS					
P	LTR	DESCRIPTION	DATE	DWN	APVD
E1		NOTE 1 0.76µm PLATING UPDATE (PdNi+AuFLASH)	12JUL2023	BGC	PS

Pos.	L _{-0.9}
-	-
3	7.62
4	10.16
5	12.7
6	15.24
7	17.78
8	20.32
9	22.86
10	25.4
11	27.94
12	30.48
13	33.02
14	35.56
15	38.1
16	40.64
17	43.18



RECOMMENDED PCB-LAYOUT

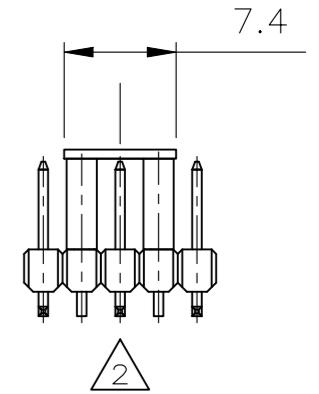
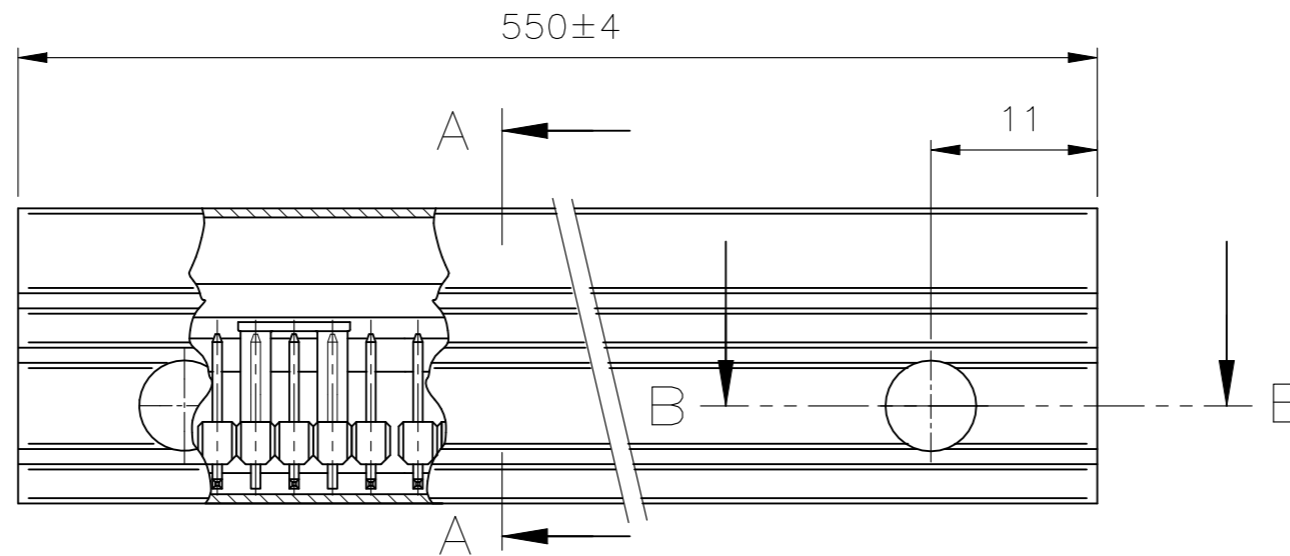
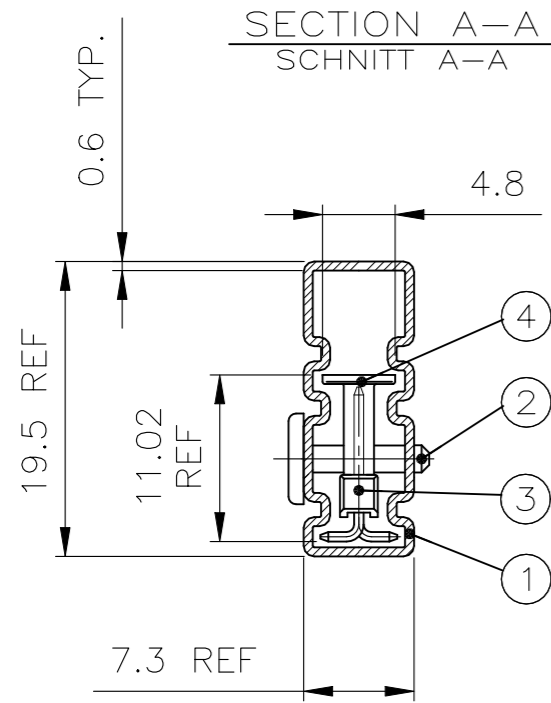
1 MATING SIDE: Min 0.76µm (PdNi + Au FLASH) IN ZONE "F" OVER Min 1.27µm Ni
 (Alternative plating – Min 0.76µm Au OVER Min 1.27µm Ni)
 SOLDER SIDE: 3.0 – 5.0 µm TIN OVER MIN. 1.27µm NICKEL

2 PAY ATTENTION THE POSITION OF 1st CONTACT

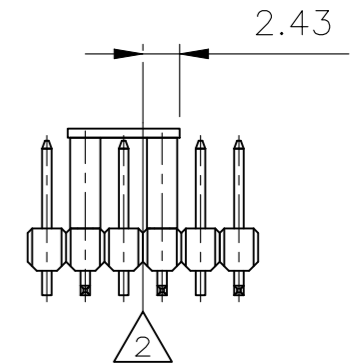
KONTAKTSTIFT / CONTACT PIN	CuZn	1	2
STIFTGEHÄUSE / PIN HOUSING	PCT	SCHWARZ / BLACK	1
BENENNUNG EINZELTEIL PART DESCRIPTION	WERKSTOFF MATERIAL	OBERFLÄCHE / FARBE SURFACE / COLOR	SI No

THIS DRAWING IS A CONTROLLED DOCUMENT.		DWN A.HO 24MAR1995	TE Connectivity Ltd.													
DIMENSIONS: mm		CHK M.SCHAARSCHMIDT 24MAR1995														
TOLERANCES UNLESS OTHERWISE SPECIFIED: TOL ± 0.2		APVD -	NAME AMPMODU II PINHEADER, SINGLE ROW, SMD-WITH PACKING TUBE.													
<table border="1"> <tr><td>0 PLC</td><td>± -</td></tr> <tr><td>1 PLC</td><td>± -</td></tr> <tr><td>2 PLC</td><td>± -</td></tr> <tr><td>3 PLC</td><td>± -</td></tr> <tr><td>4 PLC</td><td>± -</td></tr> <tr><td>ANGLES</td><td>± -</td></tr> </table>		0 PLC	± -	1 PLC	± -	2 PLC	± -	3 PLC	± -	4 PLC	± -	ANGLES	± -	PRODUCT SPEC 108-18012	SIZE A3	
0 PLC	± -															
1 PLC	± -															
2 PLC	± -															
3 PLC	± -															
4 PLC	± -															
ANGLES	± -															
MATERIAL SEE TABLE		FINISH SEE TABLE	CAGE CODE 00779	DRAWING NO C-966306												
MATERIAL SEE TABLE		FINISH SEE TABLE	RESTRICTED TO -	SCALE 2:1												
CUSTOMER DRAWING			SHEET 1 OF 2	REV E1												

P	LTR	DESCRIPTION	DATE	DWN	APVD
-	-	SEE SHEET 1	-	-	-



ODD NUMBER OF POSITION
UNGERADE POLZAHL

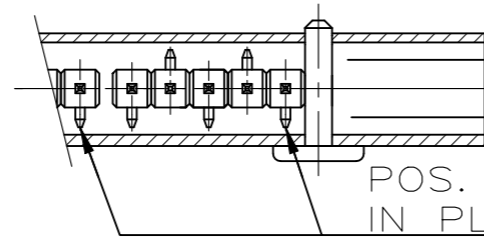


EVEN NUMBER OF POSITION
GERADE POLZAHL

POSITION IN TUBE
Lage in Verpackungsröhre

- 5 OBSOLETE
- 4 OBSOLETE PARTS: OBSOLETE CIS STREAMLINING PER D.RENAUD/D.SINISI
- 3 SEE TABLE SIEHE TABELLE
- 2 CENTERLINE OF PIN HEADER MITTELLINIE DER STIFTLAISTE
- 1 AMPMODU II SMD-PIN HEADER SEE SHEET 1 OF 2. AMPMODU II SMD-STIFTLAISTE SIEHE BLATT 1 VON 2.

SECTION B-B
SCHNITT B-B



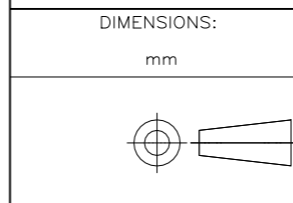
POS. 1 OF PIN HEADER
IN PLACE 5 POS. SHOWN
POS. 1 DER STIFTLAISTE
HIER 5 POL. GEZEICHNET

1-966306-2	12	17
1-966306-0	10	20
966306-9	9	23
966306-8	8	25
966306-7	7	29
966306-6	6	34
966306-5	5	41
966306-4	4	51
966306-3	3	69
BESTELL-NR. PART NO.	POLZ. PROREIHE POLZ. PER ROW	VERPACKUNGS-EINHEIT PACKING UNIT

OBSOLETE 4

ORDER-NR	POS.	STÜCK / PIECE	BENENNUNG EINZELTEIL PART DESCRIPTION	WERKSTOFF MATERIAL	OBERFLÄCHE / FARBE SURFACE / COLOR	SI No
S.TABELLE SEE TABLE	4	3	ADAPTER	PCT-GV	SCHWARZ / BLACK	4
	3	3	AMPMODU II STIFTL., SMD	1	1	3
	2	2	VERSCHL. STIFT / LOCKS PIN	PP	ROT / RED	2
	1	1	VERPACKUNGSRÖHR / PACKING PIPE	ANTI-STATISCH	TRANSPARENT	1

THIS DRAWING IS A CONTROLLED DOCUMENT.



DIMENSIONS:		TOLERANCES UNLESS OTHERWISE SPECIFIED:	
mm		TOL ± 0.2	
0 PLC	± -	1 PLC	± -
2 PLC	± -	3 PLC	± -
4 PLC	± -	ANGLES	± -
MATERIAL		FINISH	
SEE TABLE		SEE TABLE	

DWN	A.HO	24MAR1995
CHK	M.SCHAARSCHMIDT	24MAR1995
APVD	-	-
PRODUCT SPEC	108-18012	
APPLICATION SPEC	-	
WEIGHT	-	

STE TE Connectivity Ltd.

AMPMODU II PINHEADER, SINGLE ROW,
SMD-WITH PACKING TUBE.

SIZE	CAGE CODE	DRAWING NO	RESTRICTED TO
A3	00779	C-966306	-
CUSTOMER DRAWING		SCALE	SHEET
		2:1	2 OF 2
		REV	E1