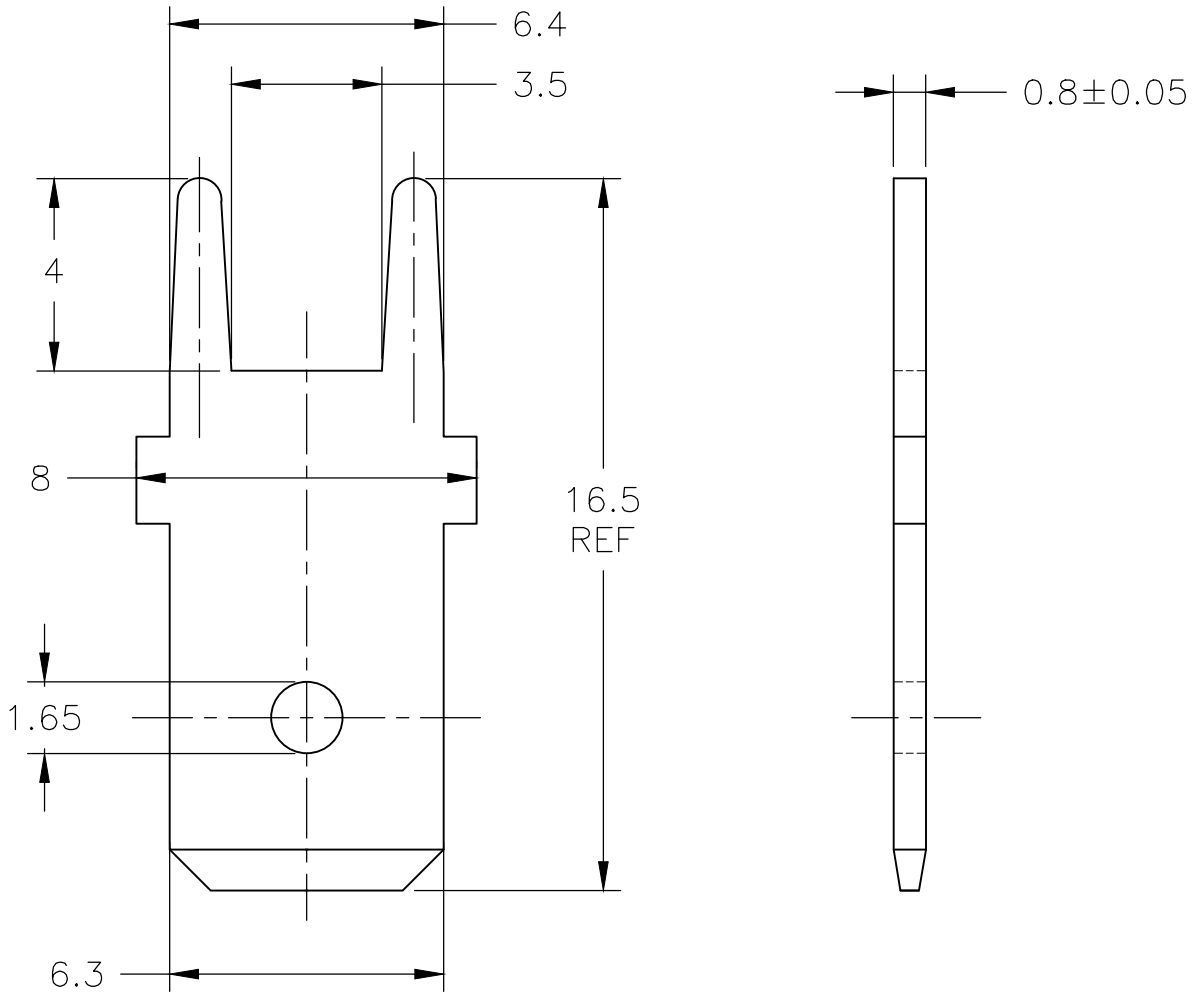


REVISIONS					
P	LTR	DESCRIPTION	DATE	DWN	APVD
	A1	REVISED PER ECO-18-005750	12APR2018	HG	TD



1 OBSOLETE PARTS: OBSOLETE CIS STREMLIING PER D.RENAUD/D.SINISI.

2 OBSOLETE


2	964046-2	BRASS	POST TIN(MATT)
1	964046-1	BRASS	PLAIN
	PART NO	MATERIAL	FINISH

RELEASED FOR PUBLICATION

ALL RIGHTS RESERVED.

THIS DRAWING IS UNPUBLISHED.

By -  
COPYRIGHT -

DIMENSIONS: mm	DWN RAVI S	20NOV2016	MATERIAL SEE TABLE	FINISH SEE TABLE		
	CHK LI DAISY	20NOV2016	 TE Connectivity			
TOLERANCES UNLESS OTHERWISE SPECIFIED:	APVD DING TIM	20NOV2016			NAME 6.3 FASTON PCB TAB	
0 PLC ± 0.40	PRODUCT SPEC	-	SIZE	CAGE CODE	DRAWING NO	RESTRICTED TO
1 PLC ± 0.40	APPLICATION SPEC	-	A4	00779	C-964046	-
2 PLC ± 0.40	WEIGHT	-	CUSTOMER DRAWING		SCALE	1:1
3 PLC ± -			SCALE		1:1	SHEET
4 PLC ± -			SCALE		1:1	1 OF 1
ANGLES ± -			SCALE		1:1	REV
			SCALE		1:1	A1

