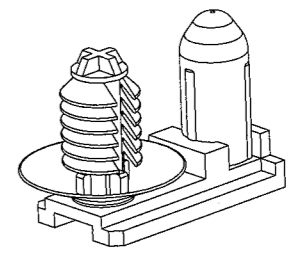
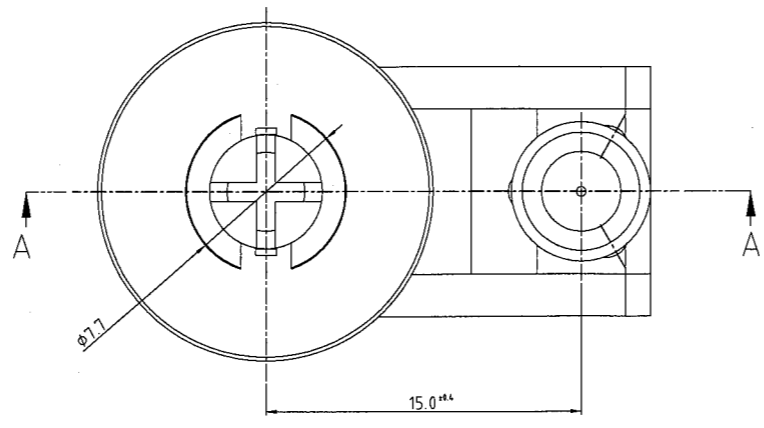
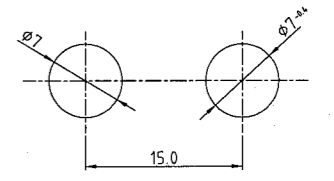
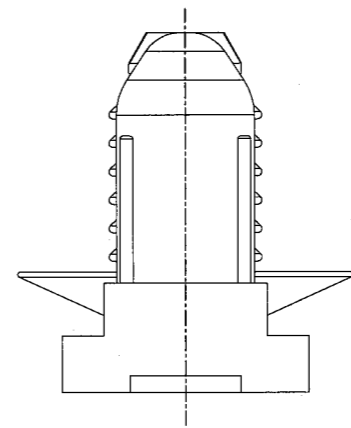
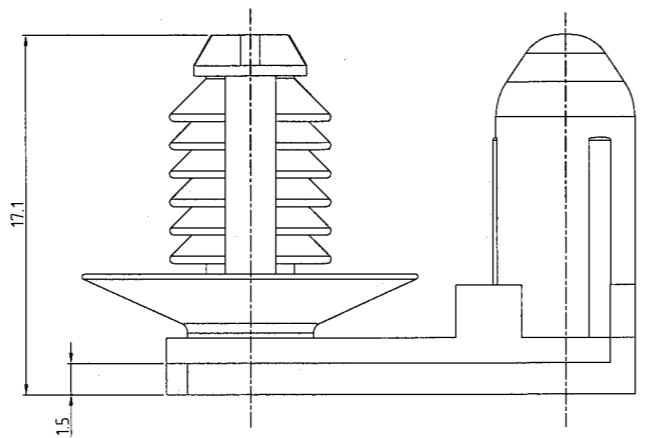
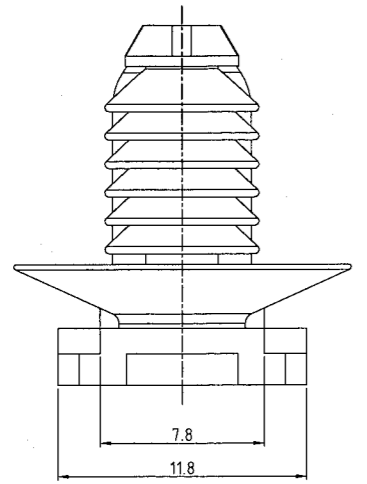


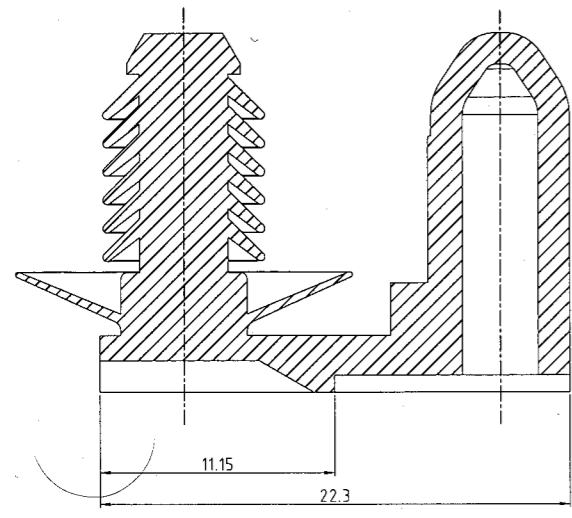
LOC	DIST	REVISIONS					
DS		P	LTR	DESCRIPTION	DATE	DWN	APVD
		0		RELEASED	31/JAN/05	YD.	CS



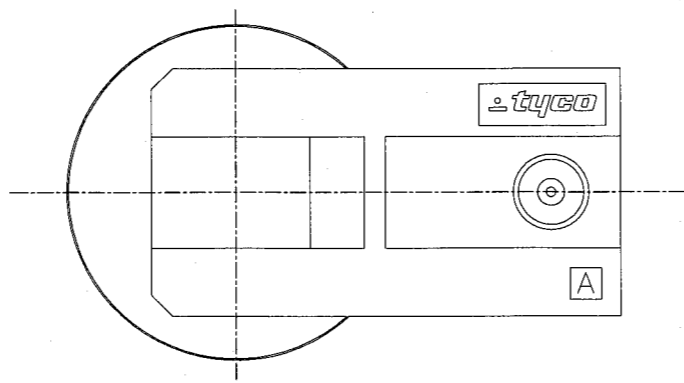
3D-VIEW  
SCALE 2/1



PANEL HOLE SIZE  
SCALE 2/1



SECTION A-A



- NOTES:  
 1. APPLICATE PANEL THICKNESS : 0.5 - 4.0mm  
 2. APPLICATE CONNECTOR SERIES : 090 MLC

control priority dimension; <input checked="" type="checkbox"/> CRITICAL, <input checked="" type="checkbox"/> MAJOR, <input type="checkbox"/> MINOR <small>THIS DRAWING IS A CONTROLLED DOCUMENT FOR TYCO ELECTRONICS CORPORATION. IT IS SUBJECT TO CHANGE AND THE CONTROLLING ENGINEERING ORGANIZATION SHOULD BE CONTACTED FOR THE LATEST REVISION.</small>		1	CLIP HSG	0-936784-2	PA66	BLACK
DIMENSIONS: MM		NO.	DESCRIPTION	P/N	MATERIAL	COLOR
TOLERANCES UNLESS OTHERWISE SPECIFIED: DECIMALS : ± 0.3 ANGLES : ± 3°		DWN	YD LEE	<b>tyco</b> AMP KOREA. kyungsan, korea		
3rd ANGLE PROJECTION		CHK	BH JANG	NAME CLIP HSG FOR HYBRID SEALED 20P/36P PLUG ASS'Y		
MATERIAL SEE TABLE		APVD	CS LEE	SIZE CAGE CODE DRAWING NO A2 00779 C- 936784		
FINISH		PRODUCT SPEC		RESTRICTED TO		
		APPLICATION SPEC		SCALE 4/1 SHEET 1 OF 1 REV 0		
		WEIGHT				