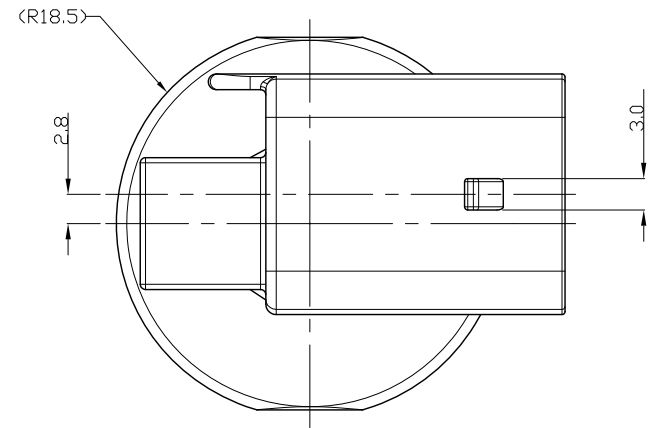
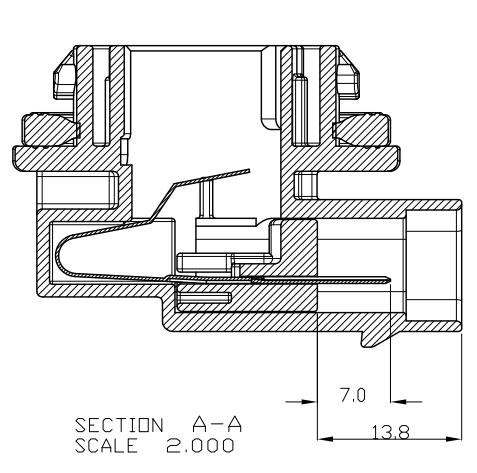
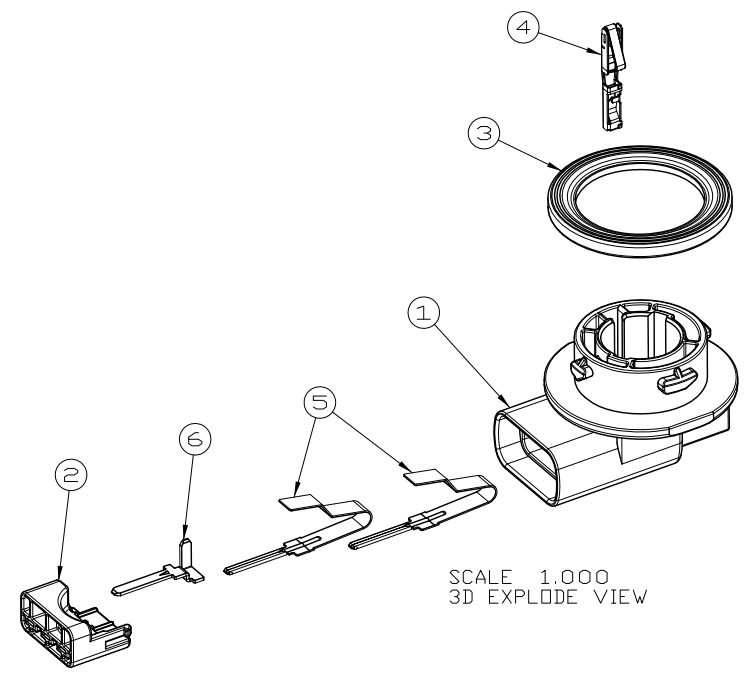
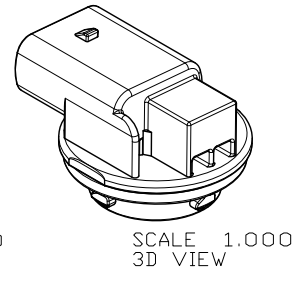
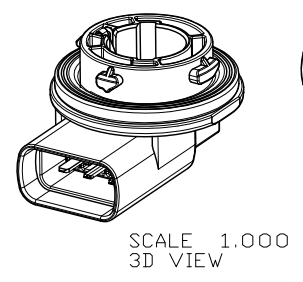
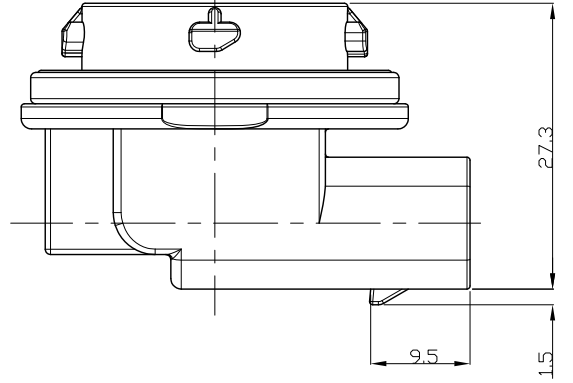
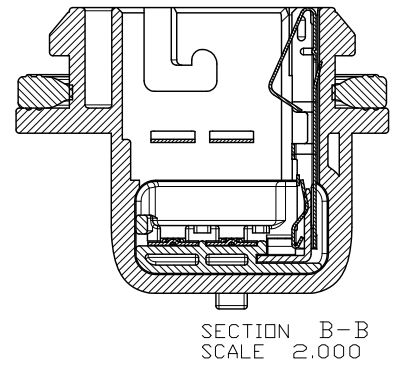
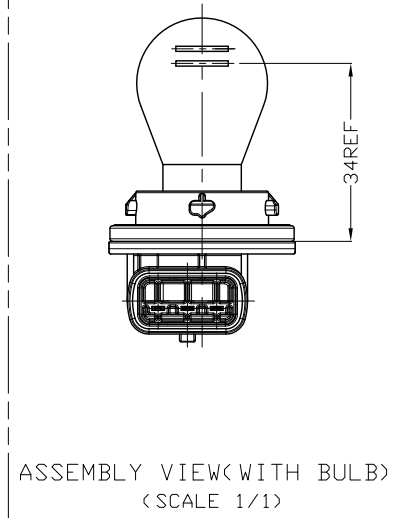
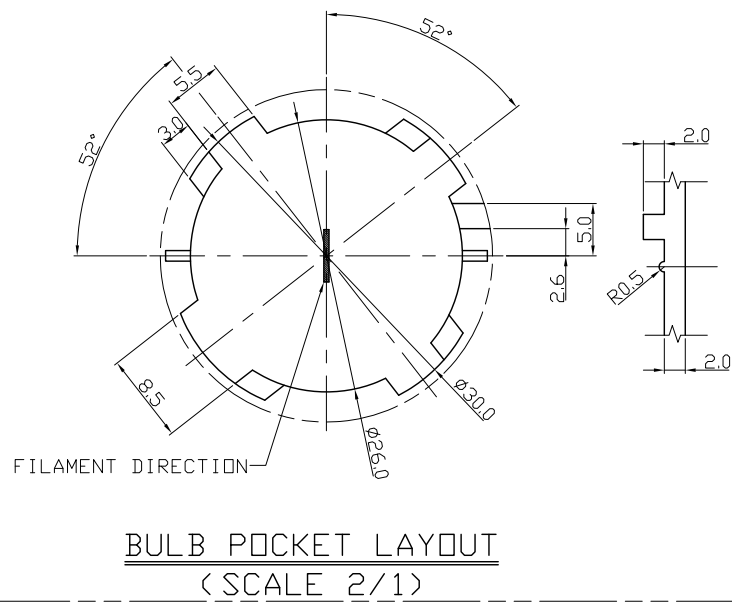
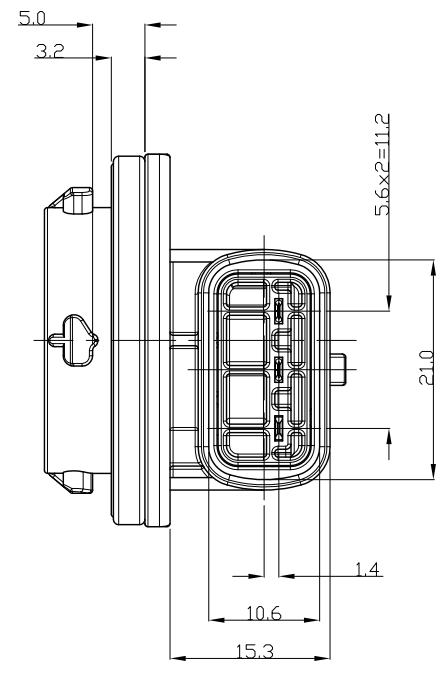
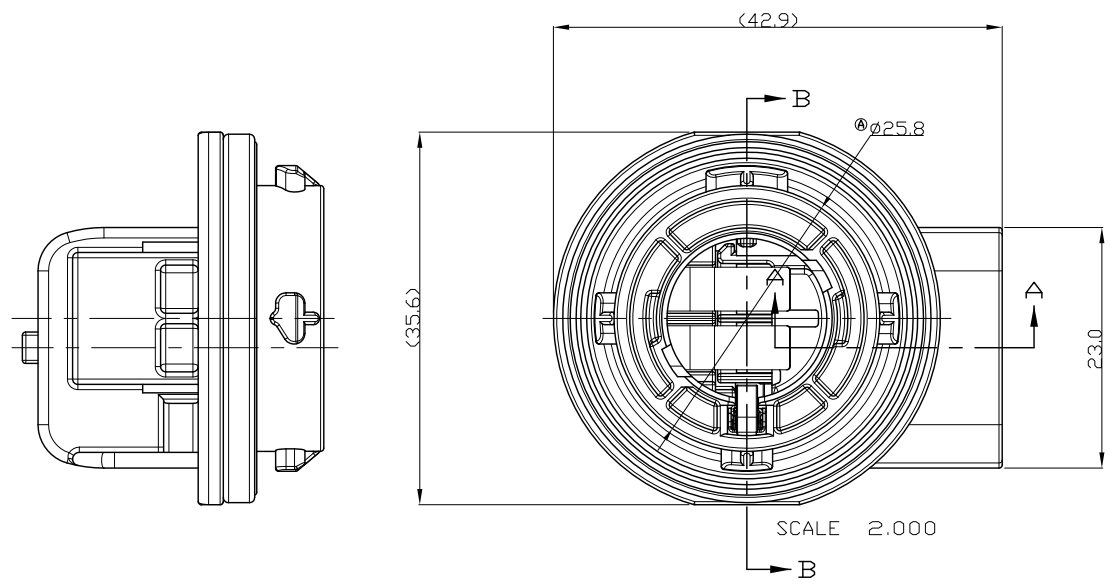


THIS DRAWING IS UNPUBLISHED. RELEASED FOR PUBLICATION 20
 © COPYRIGHT 20 BY TYCO ELECTRONICS CORPORATION. ALL RIGHTS RESERVED.

LOC	DIST	REVISIONS					
		P	LTR	DESCRIPTION	DATE	DWN	APVD
DS	-			RELEASED (FC00-0174-03)	26/DEC/03	MS	CS
				REVISED (FC00-0055-04)	29/MAR/04	YD.	CS
				REVISED (ECR-05-015430)	03/NOV/05	YD.	JK
				REVISED (ECR-12-015233)	28/AUG/12	JM	HG



NOTE.
 1. GENERAL TOLERANCE : ±0.3
 2. APPLICABLE PLUG ASS'Y P/NO. : X-936187-X
 3. 0.35 MAX. WARPAGE AND 0.3 MAX. FLASH ARE PERMISSIBLE.

NO	PART NO.	DESCRIPTION	MATERIAL	COLOR	Q'TY
6	0-936921-1	EARTH TML	BRASS	PRE-TIN	1
5	0-936919-1	SOCKET TML	C5210R	-	1
4	0-936918-1	RECEPTACLE TML	CuNiSi	-	1
3	0-936817-1	O-RING	SILICONE(LSR)	GRAY	1
2	0-936721-2	BLOCK HSG	PBR GF10	BLACK	1
1	0-936720-4	HOLDER HSG	PBT	BROWN	1
	0-936720-3	HOLDER HSG	PBT	GRAY	1
	0-936720-2	HOLDER HSG	PBT	BLACK	1
	0-936720-1	HOLDER HSG	PBT	IVORY	1

0-936719-4
 0-936719-3
 0-936719-2
 0-936719-1

THIS DRAWING IS A CONTROLLED DOCUMENT FOR TYCO ELECTRONICS CORPORATION. IT IS SUBJECT TO CHANGE AND THE CONTROLLING ENGINEERING ORGANIZATION SHOULD BE CONTACTED FOR THE LATEST REVISION.

DWN: JM JEON	CHK: JW JUNG	APVD: HG CHO	PRODUCT SPEC
DIMENSIONS: mm		TOLERANCES UNLESS OTHERWISE SPECIFIED:	
0 PLC ±		1 PLC ±	
1 PLC ±		2 PLC ±	
2 PLC ±		3 PLC ±	
3 PLC ±		4 PLC ±	
4 PLC ±		ANGLES ±	
FINISH		FINISH	
MATERIAL: SEE TABLE		WEIGHT: -	
PROPOSAL DRAWING		SCALE: 2:1	
NAME: BULB HOLDER 3POS ASSEMBLY FOR RIGHT ANGLE TYPE (CLEAR BULB)		RESTRICTED TO: -	
SIZE: A200779		CAGE CODE: C=936719	
DRAWING NO: -		SHEET 1 OF 1	
REV: C		REV: C	