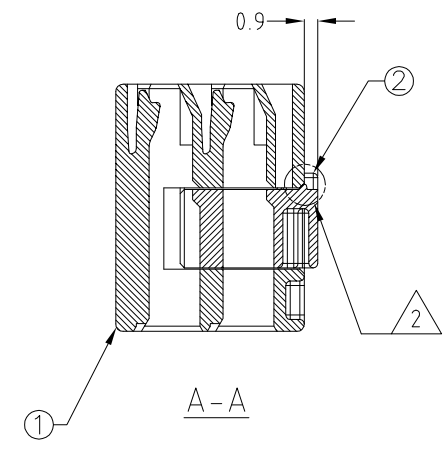
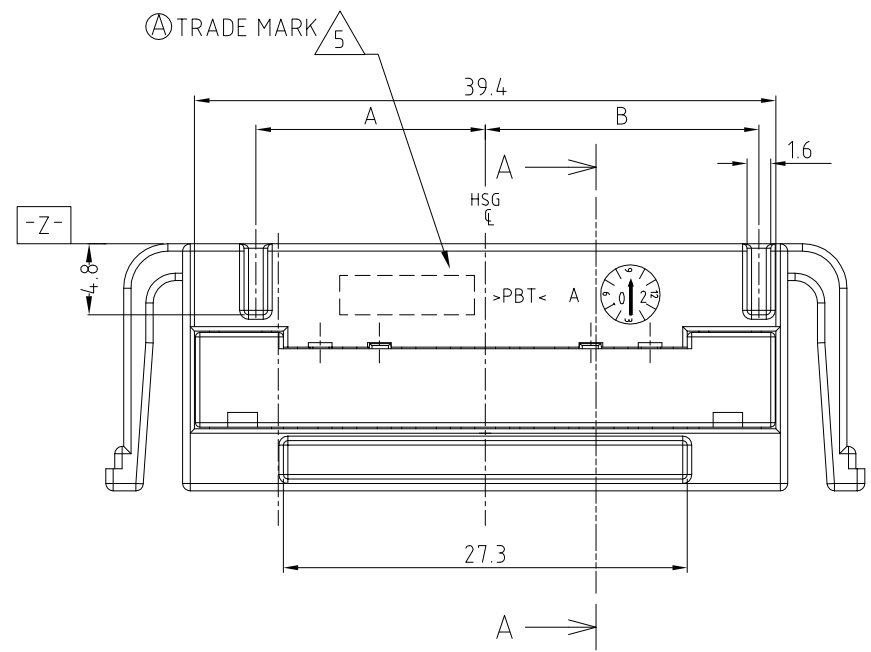
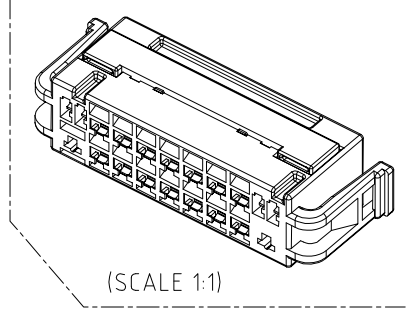
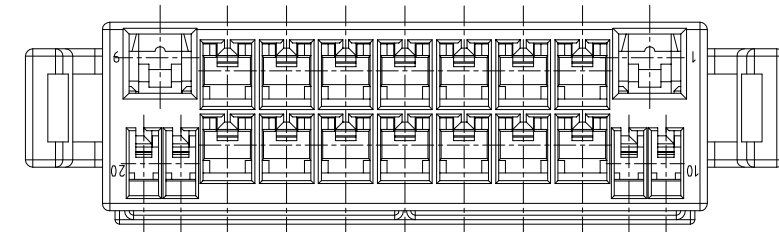
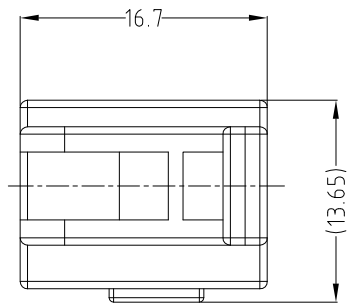
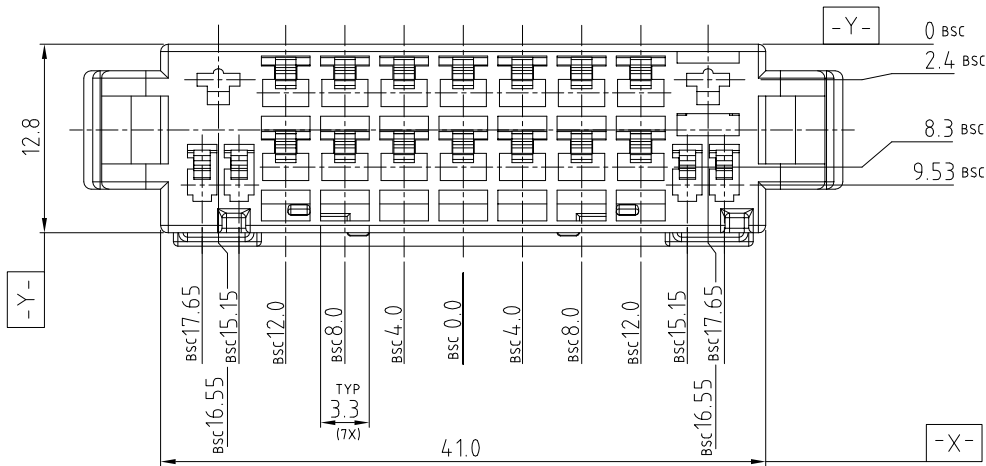


REVISIONS

P	LTR	DESCRIPTION	DATE	DWN	APVD
A		REVISED (ECR-16-006752)	09/MAY/16	YJ	KT



NOTES:

- GENERAL TOLERANCE IS ± 0.3
- CONDITION OF DELIVERY :
DBL IN 1ST LOCKING POSITION
- APPLIED MAIN CAP HSG P/N: 936510
- APPLIED TAB CONTACT P/N : TABLE 1
- APPLIED CAP ASS'Y KEY CODING : TABLE 2
- ALL CHARACTERS SHALL BE CLEAR AND LEGIBLE
- TRADE MARK : ACCORDING TO 1-15994-1

ASSEMBLY PART NO.

0-936511-7	0-936511-6	0-936511-5	0-936511-4	0-936511-3
------------	------------	------------	------------	------------

<KEY CODING> <TABLE 2>

P/N	A (± 0.1)	B (± 0.1)
0-936511-7	16.2	17.9
0-936511-6	17	17.9
0-936511-5	18.5	17.9
0-936511-4	18.5	16.7
0-936511-3	18.5	15.5

NO.	P/N	DESCRIPTION	MATERIAL	COLOR	Q'TY				
2	0-936513-1	DBL HSG	PBT	WHITE	1	1	1	1	1
1	0-936512-7	CAP HSG	PBT	GREEN	1	-	-	-	-
1	0-936512-6	CAP HSG	PBT	RED	-	1	-	-	-
1	0-936512-5	CAP HSG	PBT	YELLOW	-	-	1	-	-
1	0-936512-4	CAP HSG	PBT	BROWN	-	-	-	1	-
1	0-936512-3	CAP HSG	PBT	GRAY	-	-	-	-	1

<TAB TML> <TABLE 1>

TYPE	Part NO.	WIRE SIZE(mm ²)
.040	353537-1	0.3-0.5
	1123654-1	0.85-1.25
.090	368086-1	2.0
	368087-1	0.85-1.25
JPT (2.8 FAST)	928781-2	1.0-2.5
	160923-2	0.2-0.5

THIS DRAWING IS A CONTROLLED DOCUMENT FOR TYCO ELECTRONICS CORPORATION. IT IS SUBJECT TO CHANGE AND THE CONTROLLING ENGINEERING ORGANIZATION SHOULD BE CONTACTED FOR THE LATEST REVISION.

DWN : YJ KIM
CHK : DG JEONG
APVD : KT LIM

TE Connectivity

NAME: CAP ASSEMBLY FOR .040/.090/JPT HYBRID 20P CONNECTOR

SIZE: A3 CAGE CODE: 00779 DRAWING NO: 936511 RESTRICTED TO: C

SCALE: 2/1 SHEET: 1 OF 1 REV: A