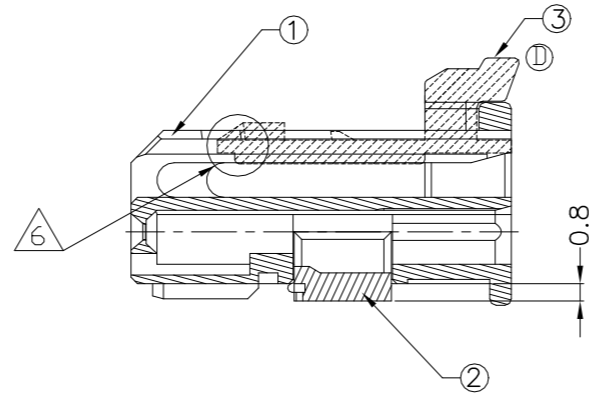
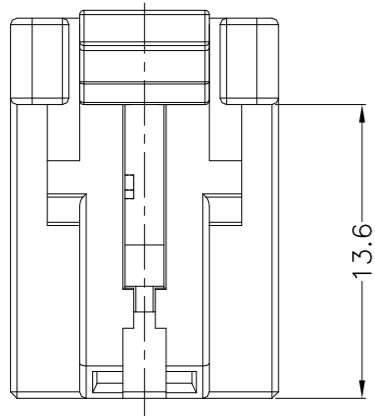
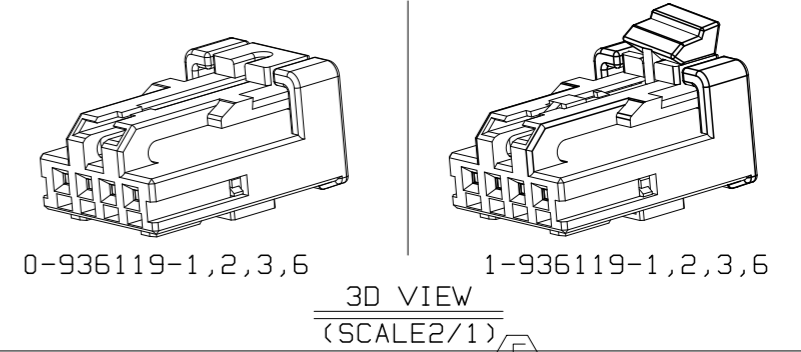
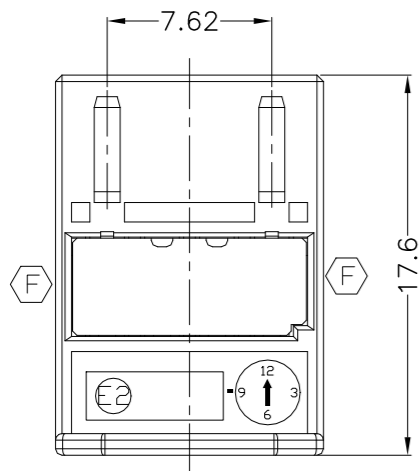
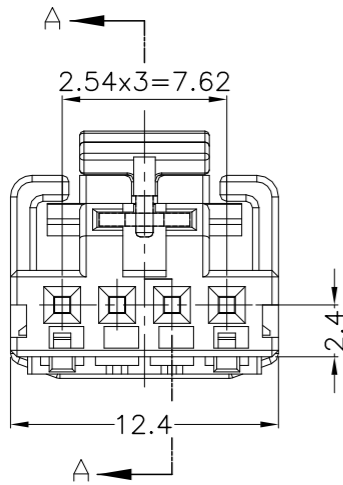
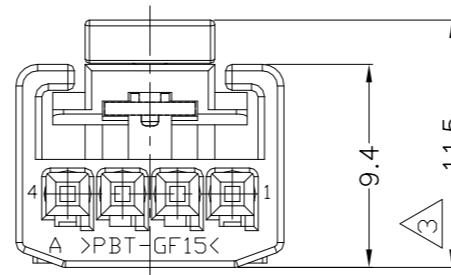
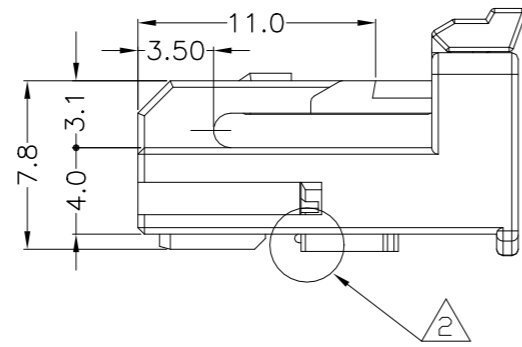


THIS DRAWING IS UNPUBLISHED. RELEASED FOR PUBLICATION
 © COPYRIGHT BY TYCO ELECTRONICS CORPORATION. ALL RIGHTS RESERVED.

LOC	DIST	REVISIONS					
		P	LTR	DESCRIPTION	DATE	DWN	APVD
DS	-	F		REVISED (ECR-21-000652)	28, APR, '21	BH	YJ
		F1		REVISED (ECR-22-150754)	25, AUG, '22	CH	KT



SECTION A-A
(SCALE 2/1)



NOTES

- GENERAL TOLERANCE IS ± 0.3
 - CONDITION OF DELIVERY :
DBL IN 1ST LOCKING POSITION
 - 1-936119-1,2,3 ONLY
 - APPLIED CAP ASS'Y P/N: 936121
 - APPLIED RECEPTACLE CONTACT P/N:
- | Part NO. (F) | 5-928999-X | 5-963715-X |
|-----------------------------|------------|------------|
| WIRE SIZE(mm ²) | 0.25~0.5 | 0.75 |
- CONDITION OF DELIVERY :
CPA IN 1ST LOCKING POSITION
 - TE BRAZIL RAW MATERIAL : PBT-GF15
 - TE BRAZIL RAW MATERIAL : PBT-GF20

NO	COLOR	MATERIAL	DESCRIPTION	P/N	QTY				ASSY P/N	DESCRIPTION
3	WHITE	PBT-GF20 (7)	CPA HSG	936353-1	1		1	1		
2	WHITE	PBT-GF15 (8)	DBL HSG	936123-1	1	1	1	1	1	1
1	BLUE	PBT-GF15	PLUG HSG	936120-6	1	1				
	DARK GRAY	PBT-GF15	PLUG HSG	936120-3			1	1		
	YELLOW	PBT-GF15	PLUG HSG	936120-2				1	1	
	BLACK	PBT-GF15	PLUG HSG	936120-1						1 1

THIS DRAWING IS A CONTROLLED DOCUMENT FOR TYCO ELECTRONICS CORPORATION. IT IS SUBJECT TO CHANGE AND THE CONTROLLING ENGINEERING ORGANIZATION SHOULD BE CONTACTED FOR THE LATEST REVISION.

DWN : JM JEON
 CHK : JW JUNG
 APVD : HG CHD
 PRODUCT SPEC _____
 APPLICATION SPEC _____
 WEIGHT _____

STE TE connectivity

NAME
MQS 4P PLUG ASSEMBLY

SIZE: A3 CAGE CODE: 00779 DRAWING NO: C= 936119 RESTRICTED TO: -

CUSTOMER DRAWING SCALE 3/1 SHEET 1 OF 1 REV F1