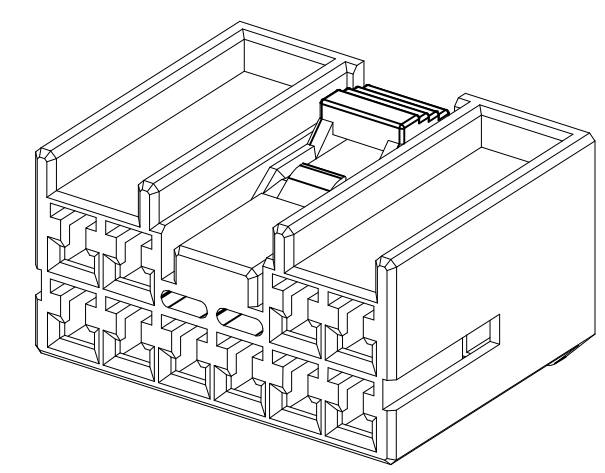
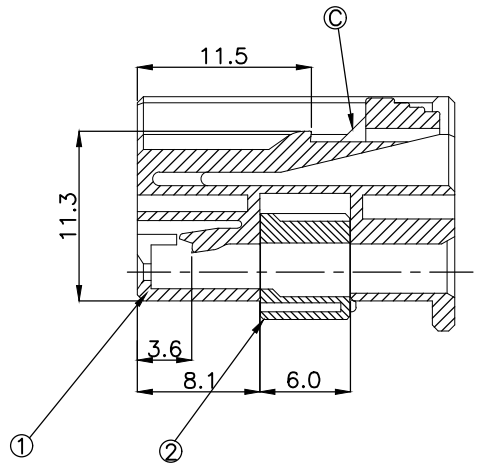
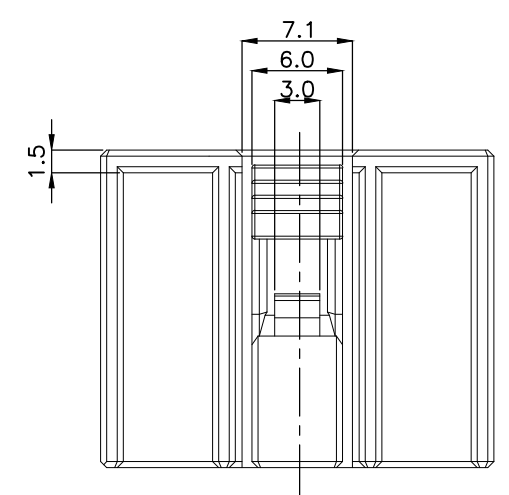


REVISIONS					
P	LTR	DESCRIPTION	DATE	DWN	APVD
C1		REVISED ECR-20-006447	15JUL2020	VI	SPB



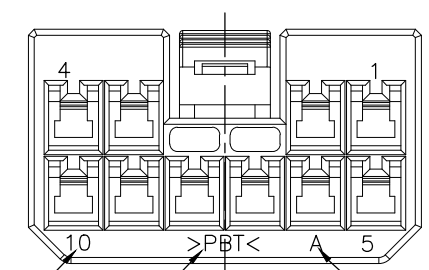
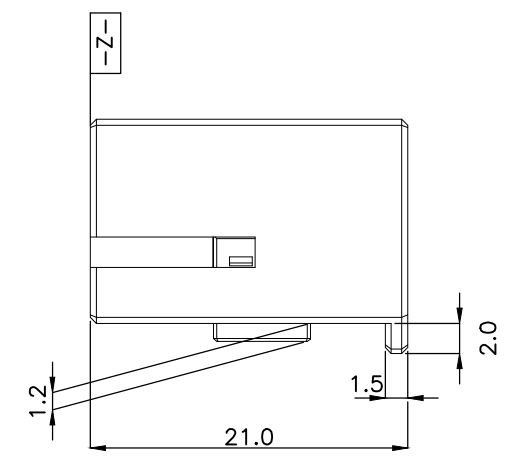
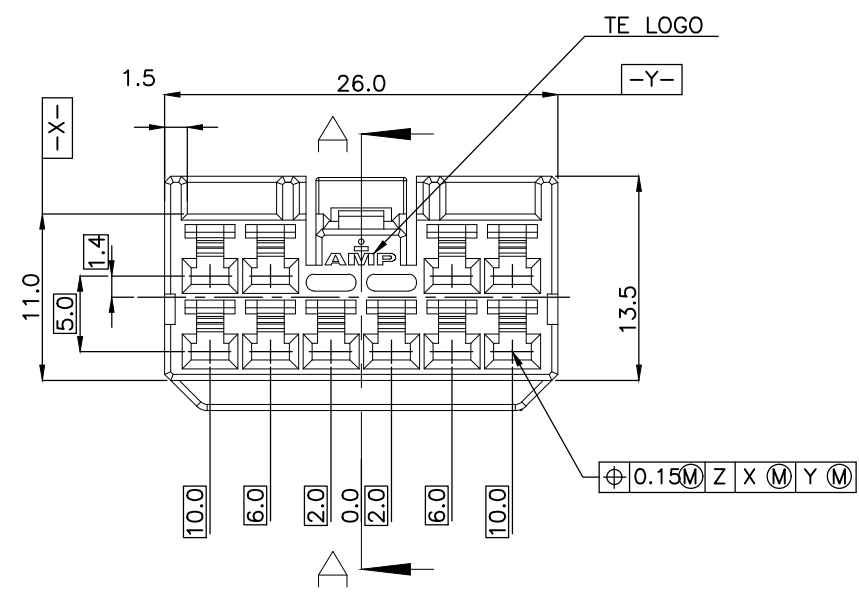
SECTION A-A

NOTES.

- 1. THE MATING HSG. P/N ; 936129
- 2. APPLIED CONTACT P/N ;
 090 II REC. - 368083, 368084, 368085
 090 III REC. - 1743654, 1743655, 1743656, 1897753, 1897598

-주기-

- 1. 상대 하우징 P/N. ; 936129
- 2. 적용단자 P/N. ; 090 II REC.- 368083,368084,368085
 090 III REC.- 1743654,1743655,1743656,1897753,1897598

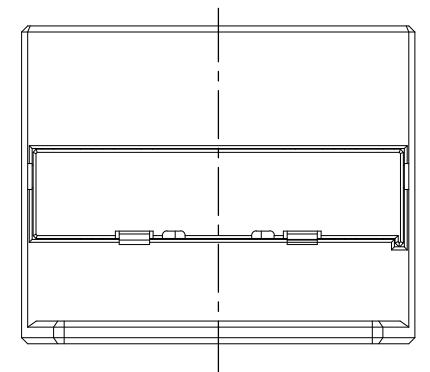


CIRCUIT NO. MATERIAL MARK CAVITY MARK

NO	COLOR	MATERIAL	DESCRIPTION	P/N	QTY
1	BLUE	PBT	PLUG	0-936093-8	1
	YELLOW	PBT	PLUG	0-936093-5	1
	BROWN	PBT	PLUG	0-936093-4	1
	D/GRAY	PBT	PLUG	0-936093-3	1
	BLACK	PBT	PLUG	0-936093-2	1
	NATURAL	PBT	PLUG	0-936093-1	1
2	NATURAL	PBT	DBL	0-936094-1	1 1 1 1 1 1

ASSY P/N
0-936092-8
0-936092-5
0-936092-4
0-936092-3
0-936092-2
0-936092-1

DISOLETE



TOLERANCES UNLESS OTHERWISE SPECIFIED:

0 <XX<10	± 0.2
10<XX<30	± 0.25
30<XX	± 0.3
ANGLES	± 3°

THIS DRAWING IS A CONTROLLED DOCUMENT.

DIMENSIONS: mm	TOLERANCES UNLESS OTHERWISE SPECIFIED:
	0 PLC ± -
	1 PLC ± -
	2 PLC ± -
	3 PLC ± -
	4 PLC ± -
	ANGLES ± -
MATERIAL SEE TABLE	FINISH -

DWN SJ CHOI
 CHK JW JUNG
 APVD HG CHO
 PRODUCT SPEC
 APPLICATION SPEC
 WEIGHT 0

STE TE Connectivity

090III 10P PLUG ASS'Y

SIZE A3 CAGE CODE 00779 DRAWING NO C-936092 RESTRICTED TO -

CUSTOMER DRAWING SCALE 1:1 SHEET 1 OF 1 REV C1