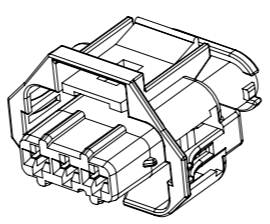
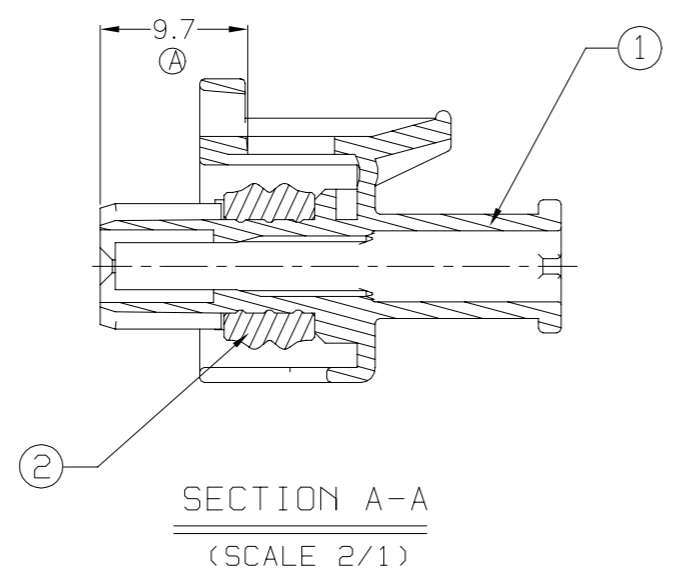
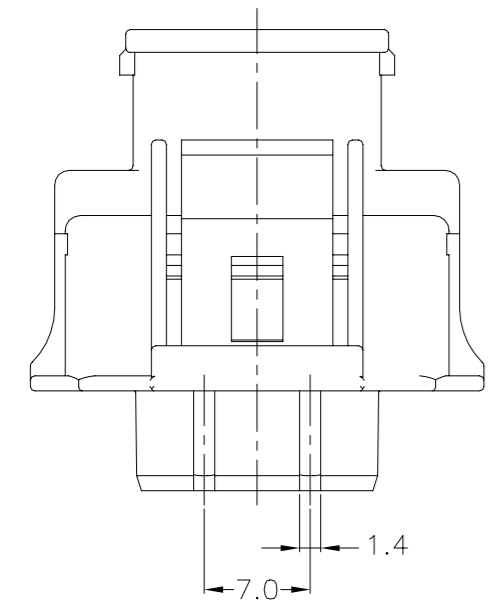


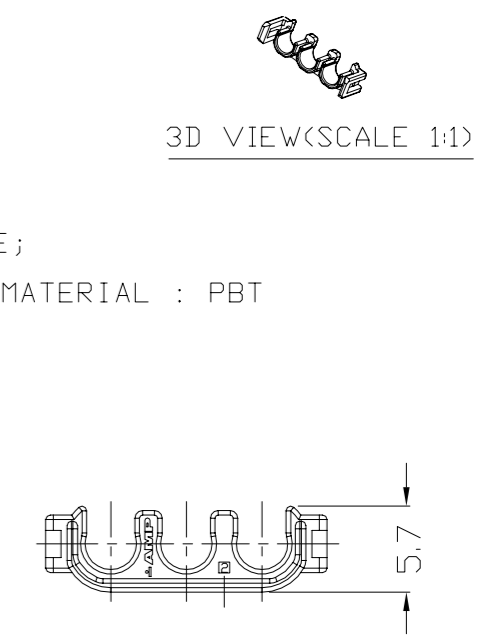
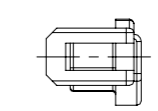
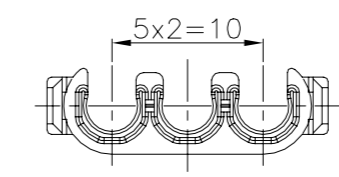
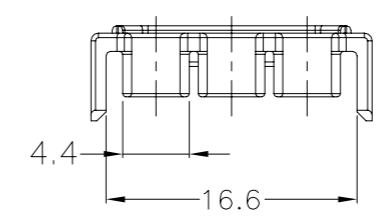
THIS DRAWING IS UNPUBLISHED. RELEASED FOR PUBLICATION
© COPYRIGHT BY TYCO ELECTRONICS CORPORATION. ALL RIGHTS RESERVED.

REVISIONS				
P	LTR	DESCRIPTION	DATE	APVD
E		REVISED(ECR-13-000208)	08. JAN. '13	JM HG
E1		REVISED(ECR-13-008839)	01. JUN. '13	JM HG
E2		REVISED(ECR-14-014192)	29. SEP. '14	JM HG
E3		REVISED(ECR-16-008211)	08. JUN. '16	JM JW
F		REVISED(ECR-20-012240)	31. AUG. '20	YH YJ

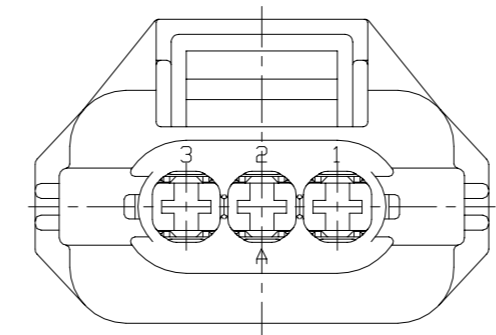
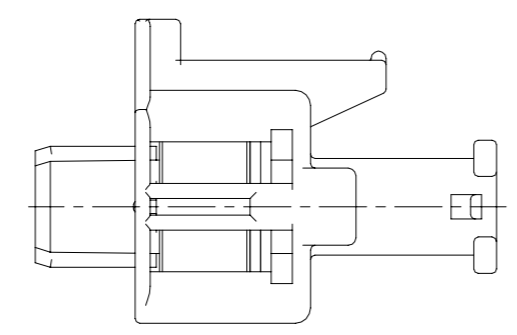
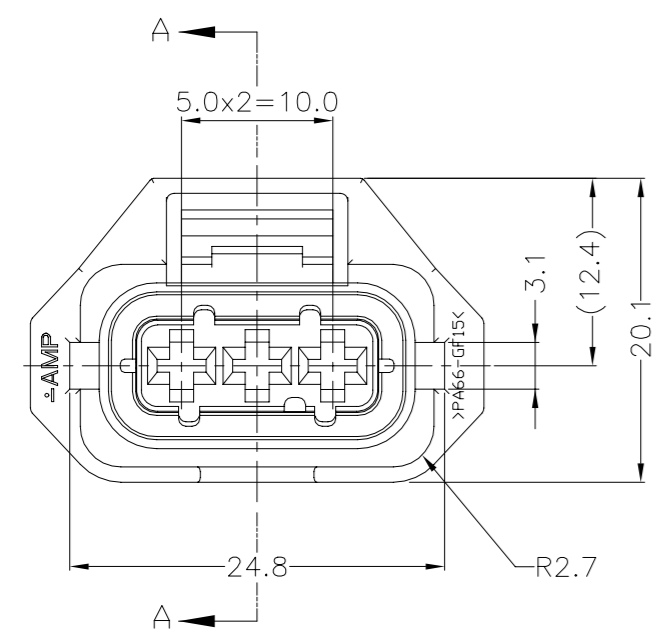


3D VIEW (SCALE 1/1)

ACCESSORIES DRAWING
① DBL HSG : P/N:936106
SCALE : 2/1

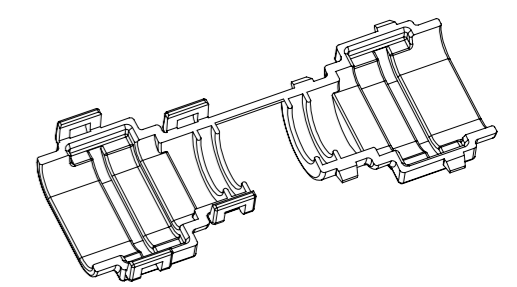


NOTE;
① MATERIAL : PBT



② COVER HSG : P/N:936112
SCALE : 2/1

NOTE;
① MATERIAL : NYLON 66
② CORRUGATOR DIAMETER : ϕ 7.0



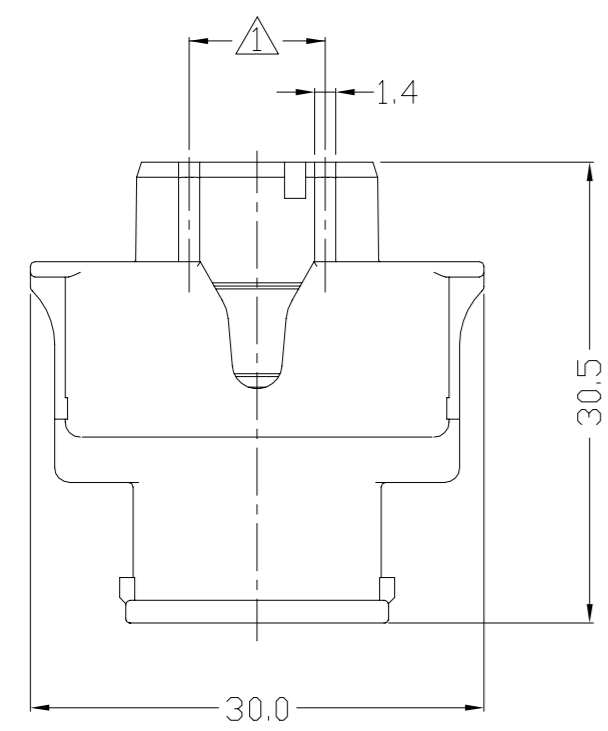
3D VIEW (SCALE 1:1)

4. APPLIED RECEPTACLE CONTACT P/N:

DESCRIPTION	2.8mm SENSOR-FLAT RECEPTACLE	
Part NO.	967542	967543
WIRE SIZE(mm ²)	0.5 ~ 1.0	1.25 ~ 2.5

5. APPLIED WIRE SEAL P/N:

DESCRIPTION	SINGLE-WIRE SEAL(5mm Hole)	
Part NO.	828904	828905
INSULATION DIA.(ϕ)	1.2 ~ 2.1mm	2.2 ~ 3.0mm



(TABLE 1)

CODE I : 936060-1, -2, -3 1-936060-3	CODE II : N/A
	SEE DRAWING 936061
CODE III : 2-936060-1, -3	CODE IV : TBD

NOTE;
① CODING IS AS FOLLOWS; SEE TABLE 1.
2. 0.15 MAX. WARPAGE AND 0.2 MAX. FLASH ARE PERMISSIBLE
3. SURFACE DEFECTS ARE NOT ACCEPTABLE AS FOLLOWS: SINK, WELD LINES, HAIRCRACKS, STAINS & SCORES

①	②	③	④	⑤	⑥	⑦	⑧	⑨	⑩
1	1				936801-5	INNER SEAL	SILICONE	YELLOW	2
		1	1		936801-3	INNER SEAL	SILICONE	BLUE	2
				1	1	936801-1	INNER SEAL	SILICONE	RED ORANGE
				1		2-936105-3	PLUG HSG	PA 66 GF15	GRAY
				1		2-936105-1	PLUG HSG	PA 66 GF15	BLACK
		1	1		936105-3	PLUG HSG	PA 66 GF15	GRAY	1
				1	1	936105-1	PLUG HSG	PA 66 GF15	BLACK
Q'TY					P/N	DESCRIPTION	MATERIAL	COLOR	NO

ASSEMBLY P/N 2-936060-3 2-936060-1 1-936060-3 936060-2 936060-3 936060-1	THIS DRAWING IS A CONTROLLED DOCUMENT FOR TYCO ELECTRONICS CORPORATION IT IS SUBJECT TO CHANGE AND THE CONTROLLING ENGINEERING ORGANIZATION SHOULD BE CONTACTED FOR THE LATEST REVISION.		DWN JM JEON	
	DIMENSIONS: MM	TOLERANCES UNLESS OTHERWISE SPECIFIED: 0 <XX<10 ± 0.2 10<XX<30 ± 0.25 30<XX ± 0.3 ANGLES ± 3°	CHK -	APVD JW JUNG
	3rd ANGLE PROJECTION	MATERIAL	PRODUCT SPEC	APPLICATION SPEC
	SEE TABLE	FINISH	114-18144	WEIGHT
CUSTOMER DRAWING			TE Connectivity	
			2.8mm SEALED 3P PLUG ASSEMBLY (FLAT SENSOR CONNECTOR)	
			SIZE	CAGE CODE
			A200779	
			DRAWING NO	RESTRICTED TO
			936060	
			SCALE 2/1	SHEET 1 OF 1
			REV F	