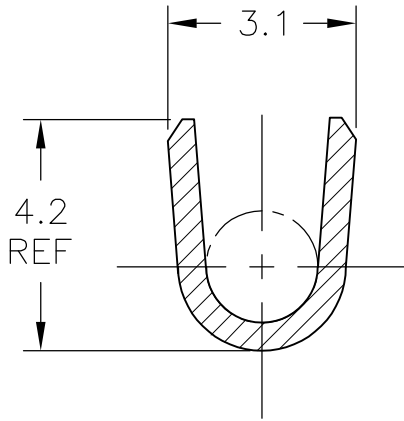
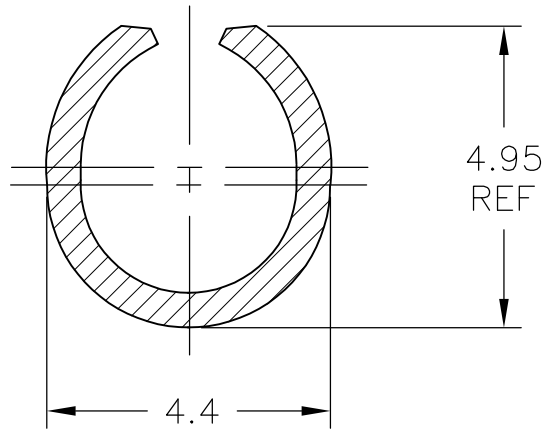


REVISIONS					
P	LTR	DESCRIPTION	DATE	DWN	APVD
	A	NEW DRAWING	21NOV2016	RS	TD



WIRE BARREL



INSULATION BARREL




PRETINNED	BRASS	928947-7	928948-7
PRETINNED	PHOSPH. BRONZE	928947-6	928948-6
PLAIN	PHOSPH. BRONZE	928947-5	928948-5
TIN PLATED	PHOSPH. BRONZE	928947-4	928948-4
PLAIN	PHOSPH. BRONZE	928947-3	928948-3
TIN PLATED	BRASS	928947-2	928948-2
PLAIN	BRASS	928947-1	928948-1
FINISH	MATERIAL	STRIP NO.	PART NO.

RELEASED FOR PUBLICATION

ALL RIGHTS RESERVED.

THIS DRAWING IS UNPUBLISHED.

© COPYRIGHT - By -

DIMENSIONS: mm	DWN RAVI S	21NOV2016	MATERIAL	SEE TABLE	FINISH	SEE TABLE
	CHK LI DAISY	21NOV2016	 TE Connectivity			
TOLERANCES UNLESS OTHERWISE SPECIFIED:	APVD DING TIM	21NOV2016				
0 PLC ± -	PRODUCT SPEC		NAME			
1 PLC ± 0.4	1.0-2.5 mm <sup>2</sup>		.250 SER. FASTIN-ON TAB (LOOSE PIECE)			
2 PLC ± -	APPLICATION SPEC		SIZE	CAGE CODE	DRAWING NO	RESTRICTED TO
3 PLC ± -	ø2.4-3.7 mm		A4	00779	C-928948	-
4 PLC ± -	WEIGHT		CUSTOMER DRAWING			
ANGLES ± -	-		SCALE	1:1	SHEET	1 OF 1
 				REV	A	