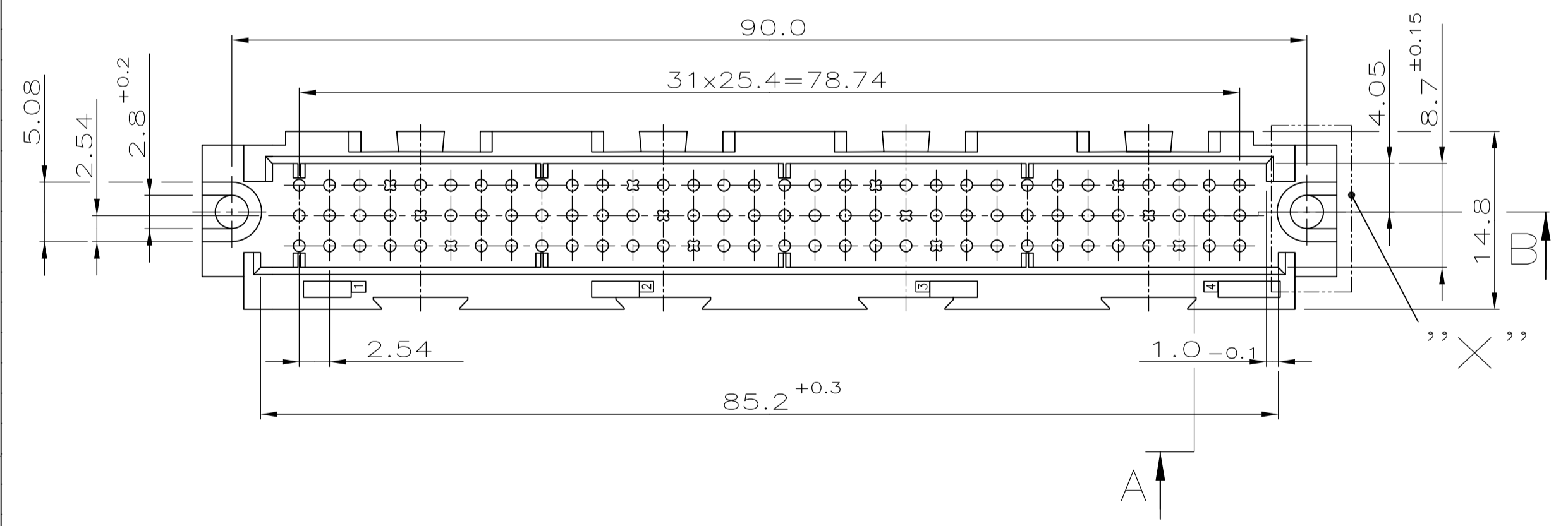
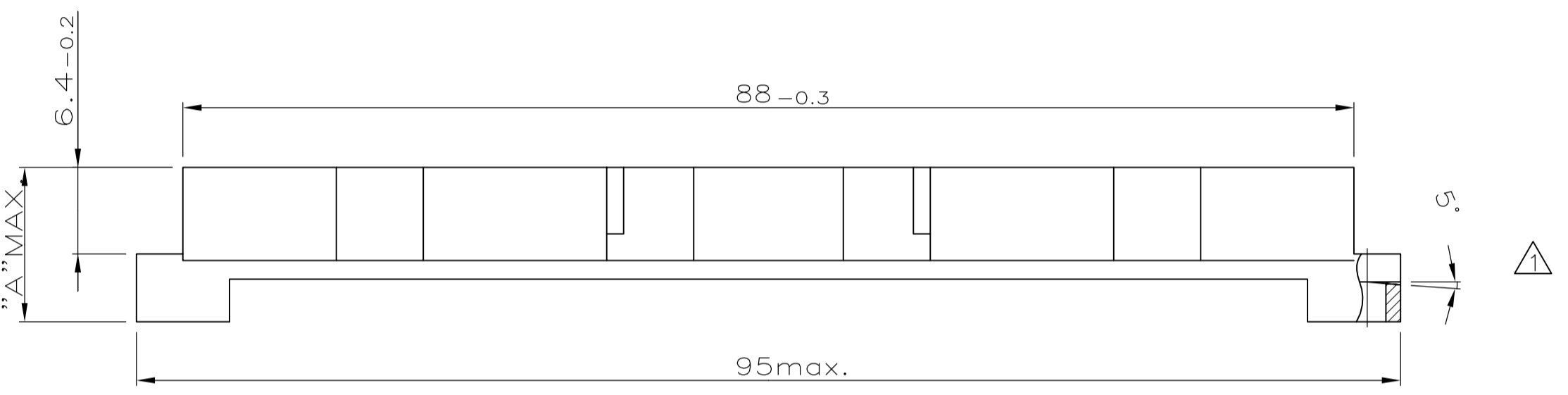
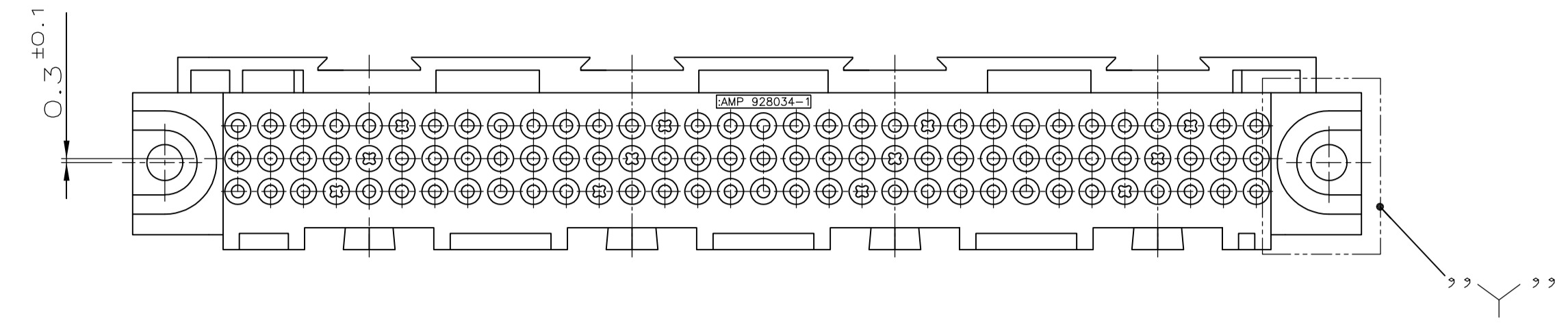


LOC		DIST		REVISIONS			
P	LTR	DESCRIPTION	DATE	DWN	APVD		
C		COLOR CHANGE TO BLACK, DIM 8.7 -TOL CHANGE	21MAY2014	PS	JK		



-1 WIE GEZEICHNET

- BEIDE FLANSCH
- OBSOLETE PARTS: OBSOLETE CIS STREAMLINING PER D.RENAUD/D.SINISI
- OBSOLETE

EINZELHEIT "Y"				
VERSION A	VERSION B	VERSION C	VERSION D	

SCHNITT A-B				
VERSION A	VERSION B	VERSION C	VERSION D	VERSION E

EINZELHEIT "X"				
VERSION A	VERSION B	VERSION C	VERSION D	VERSION E
POLARISIERUNG		TEILUNGSRIPPEN		
A	B	 		

USED ON	POLARISIERUNG	TEILUNGSRIPPEN	SCHNITT A-B	EINZELHEIT "Y"	EINZELHEIT "X"	MASS "B"	MASS "A"	FARBE	BESTELL-NUMMER
B	NEIN	E	A	E	10.25	18.25	GRAU	9-928034-4	
B	JA	E	A	E	10.25	18.25	GRAU	9-928034-3	
A	NEIN	E	A	E	10.25	18.25	GRAU	9-928034-2	
A	JA	E	A	E	10.25	18.25	GRAU	9-928034-1	
B	NEIN	A	A	E	3.6	11.6	GRAU	8-928034-4	
B	JA	A	A	E	3.6	11.6	GRAU	8-928034-3	
A	NEIN	A	A	E	3.6	11.6	GRAU	8-928034-2	
A	JA	A	A	E	3.6	11.6	GRAU	8-928034-1	
B	NEIN	E	A	D	3.6	11.6	BLACK	7-928034-4	
B	JA	E	A	D	3.6	11.6	GRAU	7-928034-3	
A	NEIN	E	A	D	3.6	11.6	GRAU	7-928034-2	
A	JA	E	A	D	3.6	11.6	GRAU	7-928034-1	
B	NEIN	D	D	C	-	11.6	BLACK	6-928034-4	
B	JA	D	D	C	-	11.6	GRAU	6-928034-3	
A	NEIN	D	D	C	-	11.6	GRAU	6-928034-2	
A	JA	D	D	C	-	11.6	GRAU	6-928034-1	
B	NEIN	C	C	B	8.3	16.3	GRAU	5-928034-4	
B	JA	C	C	B	8.3	16.3	GRAU	5-928034-3	
A	NEIN	C	C	B	8.3	16.3	GRAU	5-928034-2	
A	JA	C	C	B	8.3	16.3	GRAU	5-928034-1	
B	NEIN	C	C	B	9.2	17.2	SCHWARZ	4-928034-4	
B	JA	C	C	B	9.2	17.2	SCHWARZ	4-928034-3	
A	NEIN	C	C	B	9.2	17.2	SCHWARZ	4-928034-2	
A	JA	C	C	B	9.2	17.2	SCHWARZ	4-928034-1	
B	NEIN	B	B	A	6.6	14.6	GRAU	3-928034-4	
B	JA	B	B	A	6.6	14.6	GRAU	3-928034-3	
A	NEIN	B	B	A	6.6	14.6	GRAU	3-928034-2	
A	JA	B	B	A	6.6	14.6	GRAU	3-928034-1	
B	NEIN	B	B	A	3.6	11.6	GRAU	2-928034-4	
B	JA	B	B	A	3.6	11.6	GRAU	2-928034-3	
A	NEIN	B	B	A	3.6	11.6	GRAU	2-928034-2	
A	JA	B	B	A	3.6	11.6	GRAU	2-928034-1	
B	NEIN	A	A	A	6.6	14.6	GRAU	1-928034-4	
B	JA	A	A	A	6.6	14.6	GRAU	1-928034-3	
A	NEIN	A	A	A	6.6	14.6	GRAU	1-928034-2	
A	JA	A	A	A	6.6	14.6	GRAU	1-928034-1	
B	NEIN	A	A	A	3.6	11.6	BLACK	928034-4	
B	JA	A	A	A	3.6	11.6	BLACK	928034-3	
A	NEIN	A	A	A	3.6	11.6	GRAU	928034-2	
A	JA	A	A	A	3.6	11.6	BLACK	928034-1	

THIS DRAWING IS A CONTROLLED DOCUMENT. TE Connectivity

DIN WRULICH 18.05.89
CHK KRAMER 18.05.89

PRODUCT SPEC: 96 POS. SHROUDED PIN HOUSING

APPLICATION SPEC: A1 00779 928034

WEIGHT: -

CUSTOMER DRAWING

SCALE: 2:1 SHEET 1 OF 1 REV C