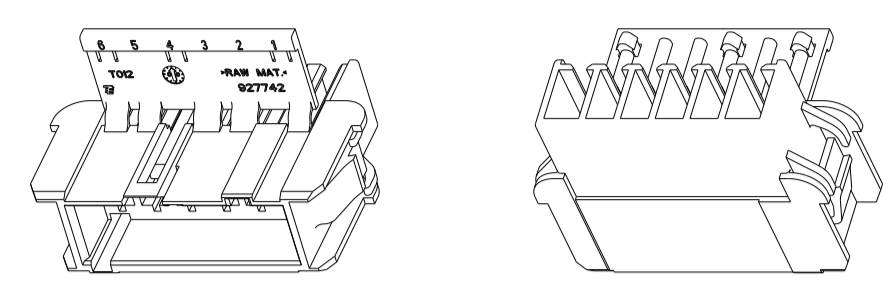
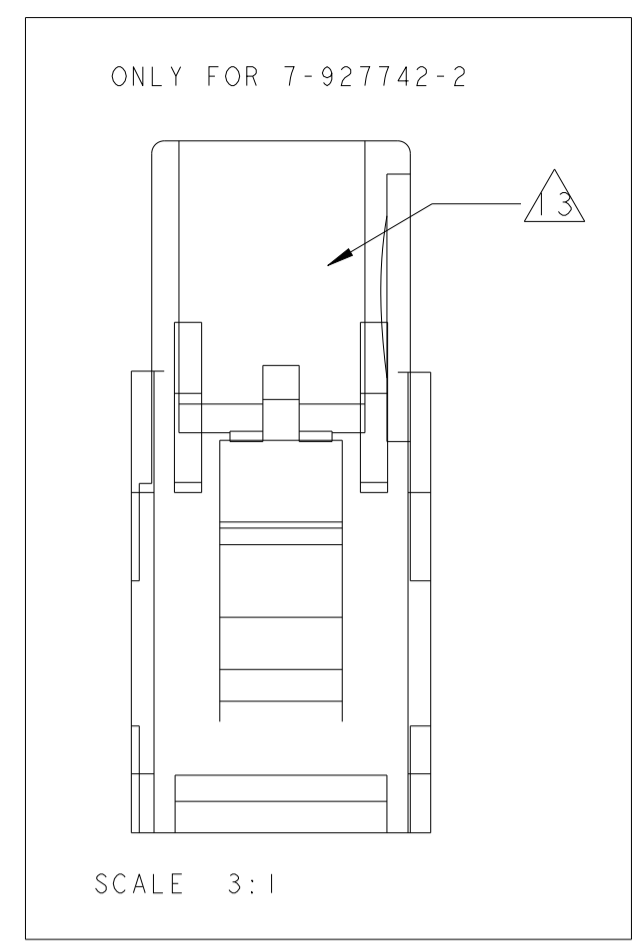
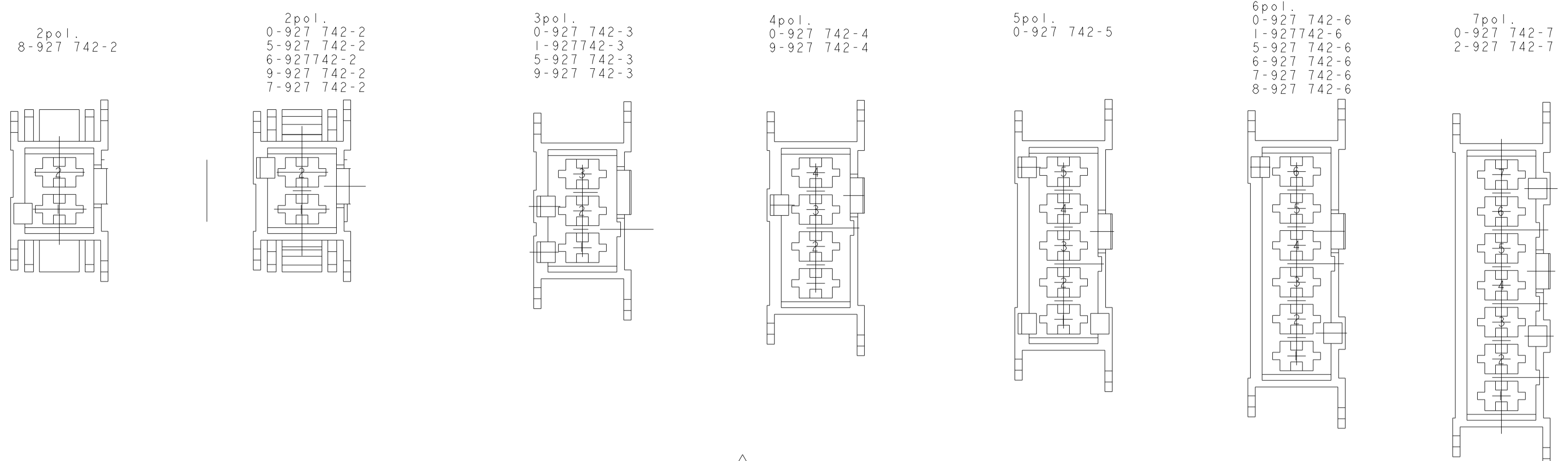
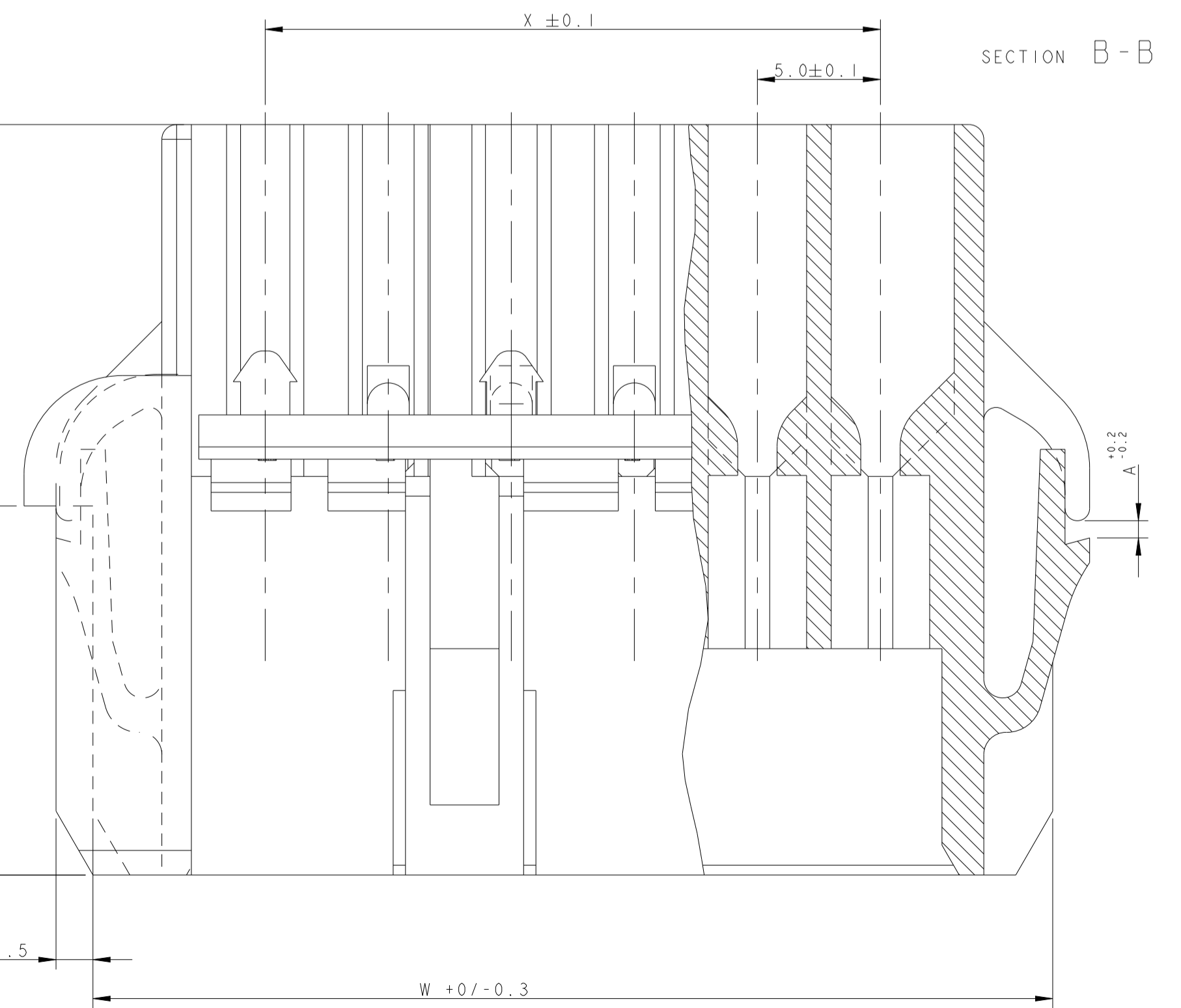
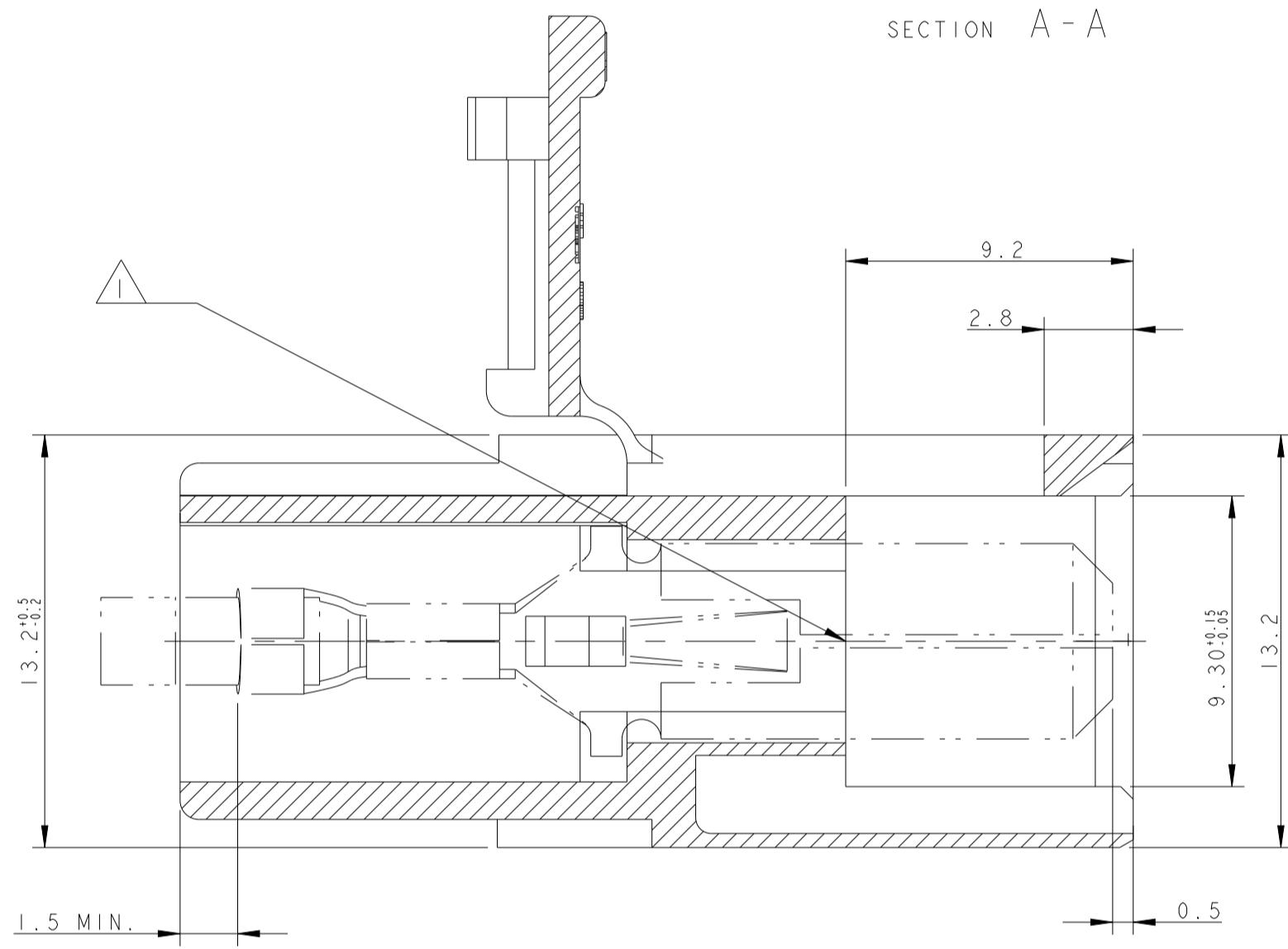
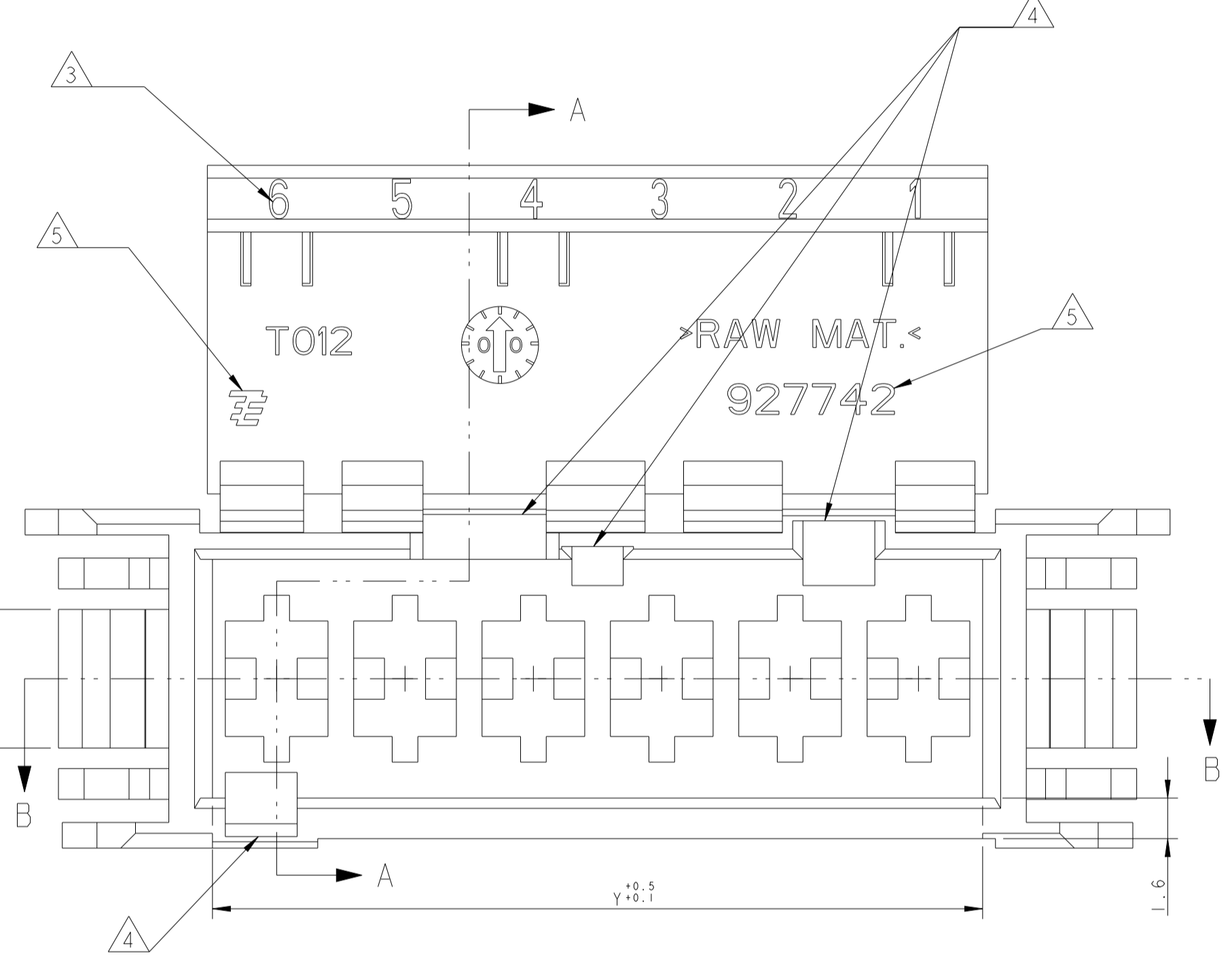


REVISIONS				
P	LTM	DESCRIPTION	DATE	APPV
G18	ECR-22-156104		07NOV2022	DC FL
G19	ECR-23-168751		15MAR2023	DC FL
G20	ECR-24-209324		21JUN2024	SM FL
G21	ECR-24-214152		10JUL2024	DC FL

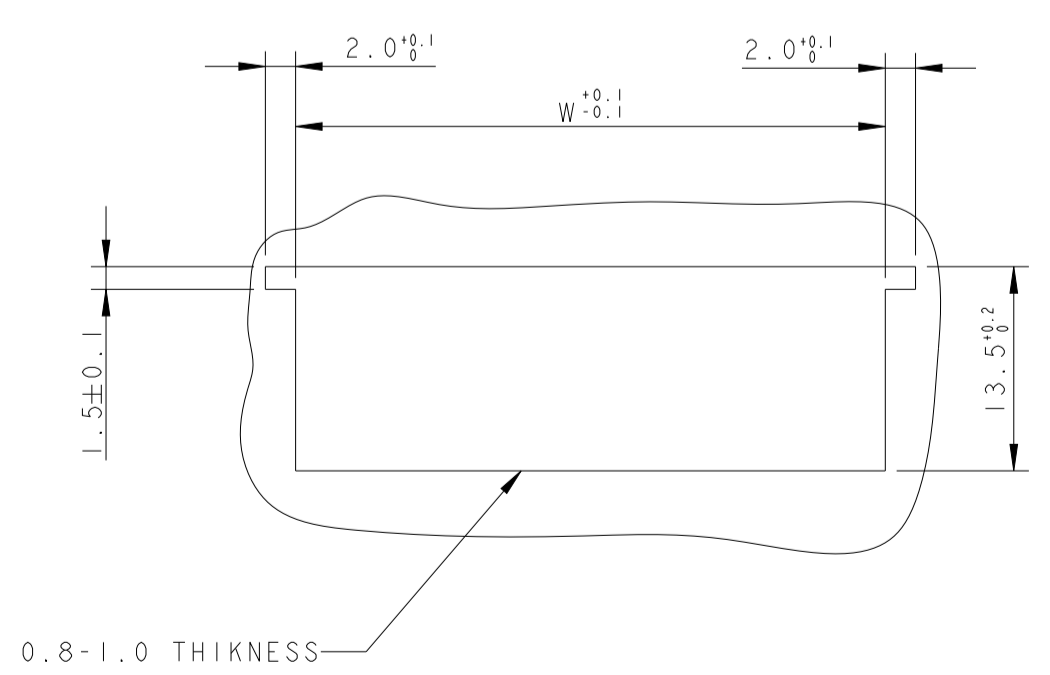


TYPICAL CAVITY SUITABLE FOR:  
 FASTIN-FASTON TAB CONTACTS 6.3 mm SRS:  
 P/N: 60294, 0.3-0.8 mm<sup>2</sup> WIRE RANGE  
 160691, 0.3-0.8 mm<sup>2</sup> WIRE RANGE  
 AMPLIVAR CONTACTS:  
 P/N: 141051, 0.1-0.5 mm<sup>2</sup> WIRE RANGE  
 142411, 0.3-1.6 mm<sup>2</sup> WIRE RANGE  
 MAX. INSULATION DIA. 2.8 mm.  
 MAX. INSULATION CRIMP WIDTH 3.3 mm.

- 2) SEE TABLE FOR SUITABLE CONTERPART.
- 3) CIRCUIT IDENTIFICATION No. ACCORDING TO DIN 1451.
- 4) POLARIZATION KEYS DIMENSIONS AND POSITIONS ARE ACCORDING TO "RAST 5" NORM
- 5) TE TRADEMARK LOGO AND TE PART NUMBER (OPTIONAL)
- 6) PACKAGING ACCORDING TO TE SPEC. 107-20248
- 7) PRODUCT ACCORDING TO IEC 60335-1 NORM
- 8) NOT TOOLED YET
- 9) SPECIAL VERSION WITH LARGER GAP "A"
- 10) PRELIMINARY PART - NOT YET RELEASED FOR PRODUCTION
- 11) DOUBLE SOURCE RESIN: ALTERNATIVE RESIN UNDER APPROVAL.
- 12) SPECIAL VERSION WITH MAXIMUM GAP "A"
- 13) ONLY FOR 7-927742-2. ADDED COLOR MARKING ON THE AREA HIGHLIGHTED. TEMPORARY SOLUTION FOR NEW PRODUCT INTRODUCTION



PANEL CUT DIMENSIONS SCALE 1:1



	11	10	9	8	7	6	5	4	3	2	1
	-	-	-	-	-	-	-	-	-	-	-
	-	-	-	-	-	-	-	-	-	-	-
	-	-	-	-	-	-	-	-	-	-	-
OBSOLETE	7	45	30	35	0.7	<del>2-927 742-7</del>	0-927 740-7	UL94V-2	black		
	7	45	30	35	0.7	0-927 742-7	0-927 740-7	UL94V-2	natur		
	6	40	25	30	0.7	8-927 742-6	0-927 740-6	UL94-V0	natur	7	
	6	40	25	30	0.7	7-927 742-6	0-927 740-6	UL94V-2	natur	7	
	6	40	25	30	0.7	6-927 742-6	0-927 740-6	UL94V-0	black		
	6	40	25	30	0.7	5-927 742-6	0-927 740-6	UL94V-0	natur		
	6	40	25	30	1.1	1-927742-6	927740-6	UL94-V2	natur	7	9
	6	39	25	30	0.7	0-927 742-6	0-927 740-6	UL94V-2	natur		
	5	35	20	25	1.1	0-927 742-5	0-927 740-5	UL94V-2	natur	9	
	4	30	15	20	0.7	9-927 742-4	0-927 740-4	UL94V-2	natur	7	
	4	30	15	20	0.7	0-927 742-4	0-927 740-4	UL94V-2	natur		
	3	25	10	15	0.7	9-927 742-3	0-927 740-3	UL94V-2	natur	7	
	3	25	10	15	0.7	5-927 742-3	0-927 740-3	UL94V-0	natur		
OBSOLETE	3	25	10	15	0.7	<del>2-927 742-3</del>	0-927 740-3	UL94V-2	grey		
	3	25	10	15	1.1	1-927742-3	927740-3	UL94V-2	natur	7	9
OBSOLETE	3	25	10	15	0.7	<del>0-927 742-3</del>	0-927 740-3	UL94V-2	natur		
	2	20	5	10	1.3	7-927742-2	-	UL94V-2	natur	7	2
	2	20	5	10	0.7	9-927 742-2	4-927 740-2	UL94V-2	natur	7	
	2	20	5	10	0.7	8-927 742-2	-	UL94V-2	natur	7	
	2	20	5	10	0.7	6-927742-2	-	UL94-V0	blue	7	
	2	20	5	10	0.7	5-927 742-2	4-927 740-2	UL94V-0	natur		
	2	20	5	10	1.1	0-927 742-2	4-927 740-2	UL94V-2	natur	9	

THIS DRAWING IS A CONTROLLED DOCUMENT. DIMENSIONS: mm. TOLERANCES UNLESS OTHERWISE SPECIFIED: 0 PLC ±, 1 PLC ±, 2 PLC ±0.2, 3 PLC ±, 4 PLC ±, ANGLES ±, FINISH ±.

OWN: H. YAALI, Z2MAR2005. CHK: G. TURCO. APVD: -.

PRODUCT SPEC: 108-20256. APPLICATION SPEC: -.

NAME: 2-12 POS. FASTIN-FASTON CONNECTOR TAB HOUSING RAST 5, PANEL MOUNT VERSION. SIZE: A100779. DRAWING NO: C=927742. WEIGHT: -. CUSTOMER DRAWING.

TE Connectivity logo.

SCALE: 5:1. SHEET: 1 OF 1. REV: G21.