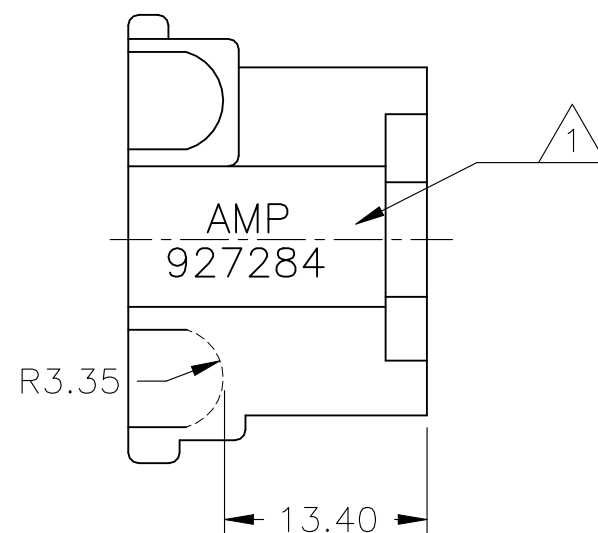
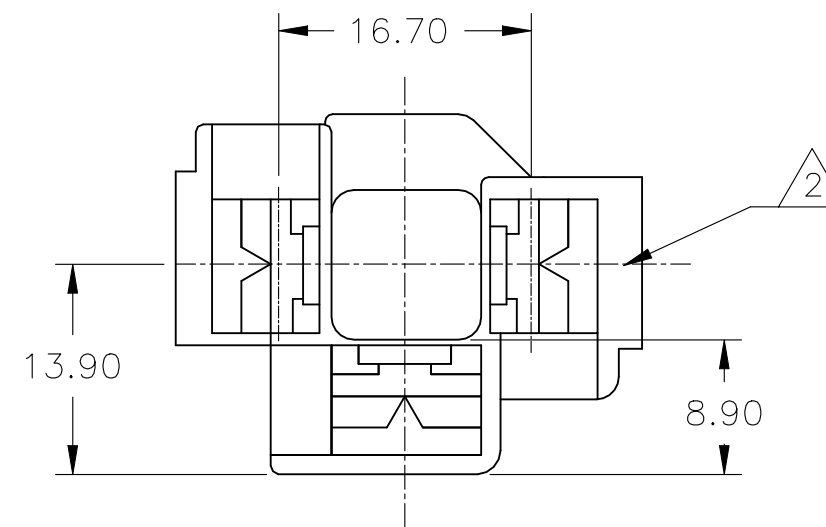
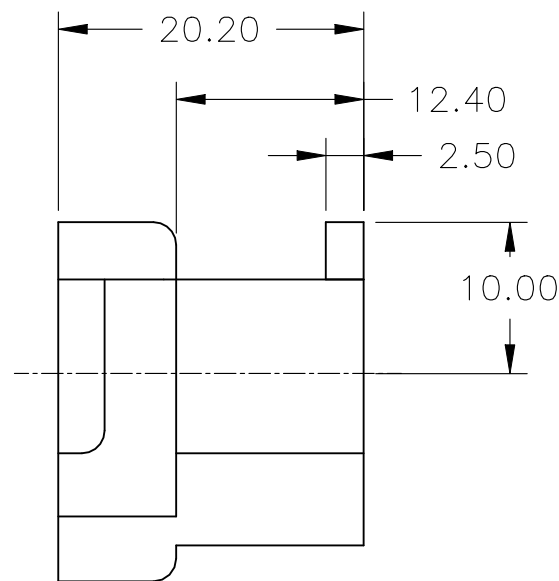
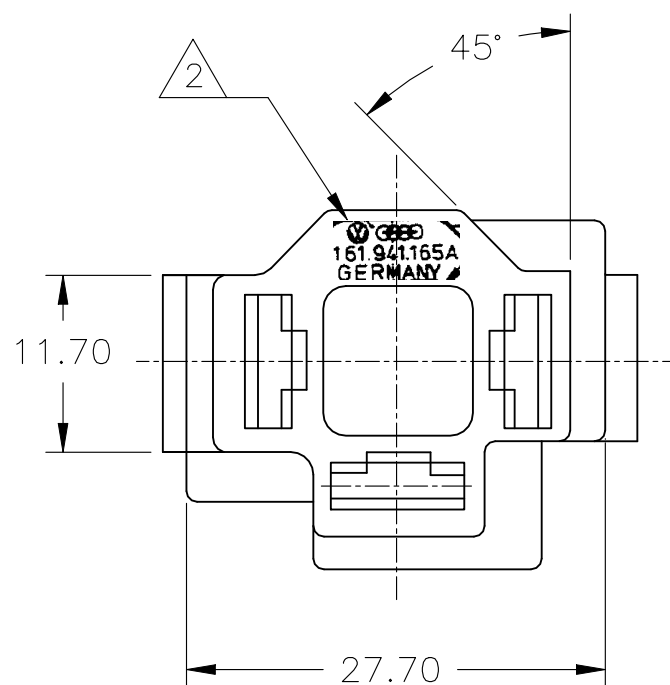


| REVISIONS | | | | | |
|-----------|-----|---------------------------|-----------|-----|------|
| P | LTR | DESCRIPTION | DATE | DWN | APVD |
| | A2 | REVISED PER ECR-21-113261 | 09SEP2021 | AA | FDP |



- NOTE:
- 1 2.5 Schrifthöhe; 0.12 erhaben
2.5 CHARS AND LETTER;0.12 RAISED
 - 2 1 Schrifthöhe;0.12 erhaben
1 CHARS AND LETTER;0.12 RAISED
 - 3 Allenicht bemanten Radian R=0.5
ALL RADII 0.5 EXCEPT AS NOTED
 - 4 OBSOLETE PARTS; OBSOLETE CIS
STREAMLING PER D,RENAUD/D,SINISI

| | | | |
|----------|---------------------|------------------------------------|---------|
| | 927284-2 | TERMOPLAST.POLYESTER GFV 20.94 V-0 | NATURAL |
| OBSOLETE | 927284-1 | PA 6.6 | NATURAL |
| | PART NO. | MATERIL | COLOR |

| | | | | | | |
|--|--|-----------------------------------|---|--------------------|------------------------|---------------|
| THIS DRAWING IS A CONTROLLED DOCUMENT. | | DWN NAGALAKSHMI K 06MAR2015 | TE Connectivity 3 POS. FASTIN-FASTON, RECEPTACLE HOUSING, SERIES 8.0 | | | |
| DIMENSIONS: mm | | CHK PAN, LEI 06MAR2015 | | | | NAME |
| TOLERANCES UNLESS OTHERWISE SPECIFIED: | | APVD PAN, LEI 06MAR2015 | | | | PRODUCT SPEC |
| 0 PLC ± - 1 PLC ± 0.2 2 PLC ± - 3 PLC ± - 4 PLC ± - ANGLES ± 2° | | APPLICATION SPEC | | | | RESTRICTED TO |
| MATERIAL | | WEIGHT 0.000000 | SIZE A3 | CAGE CODE 00779 | DRAWING NO C-927284 | |
| | | CUSTOMER DRAWING | | SCALE 2:1 | SHEET 1 OF 1 | |
| | | | | REV A2 | | |