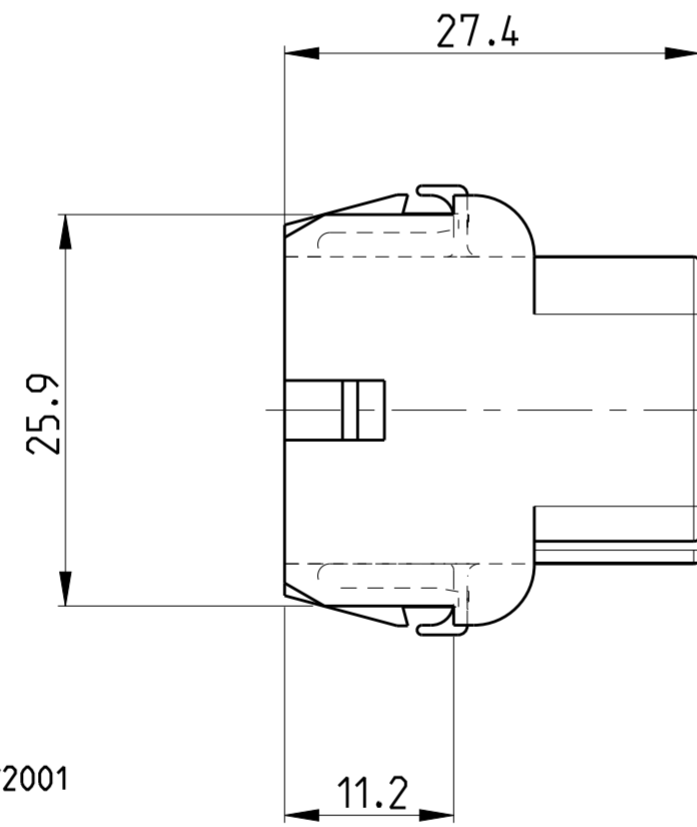
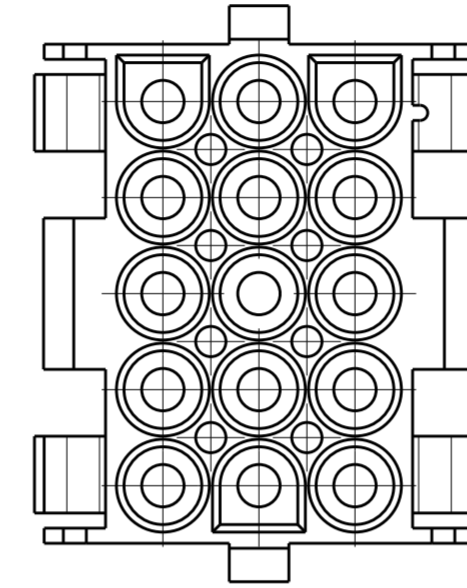
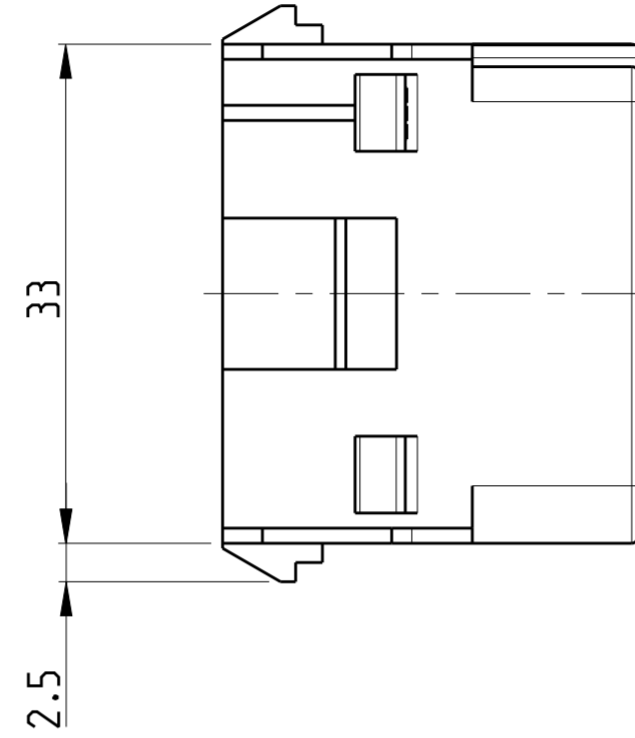
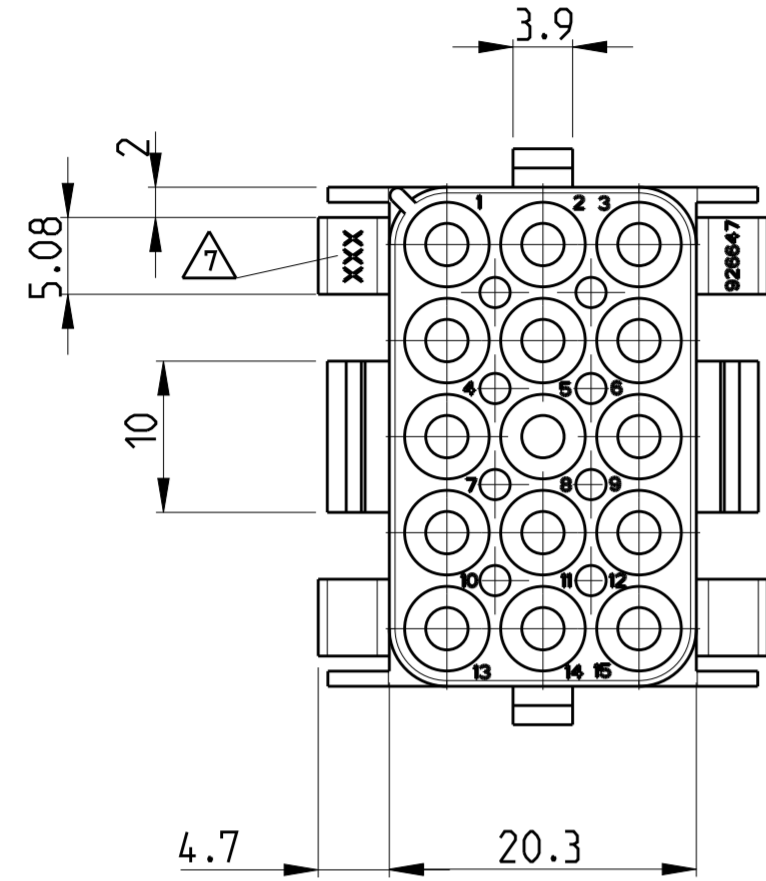
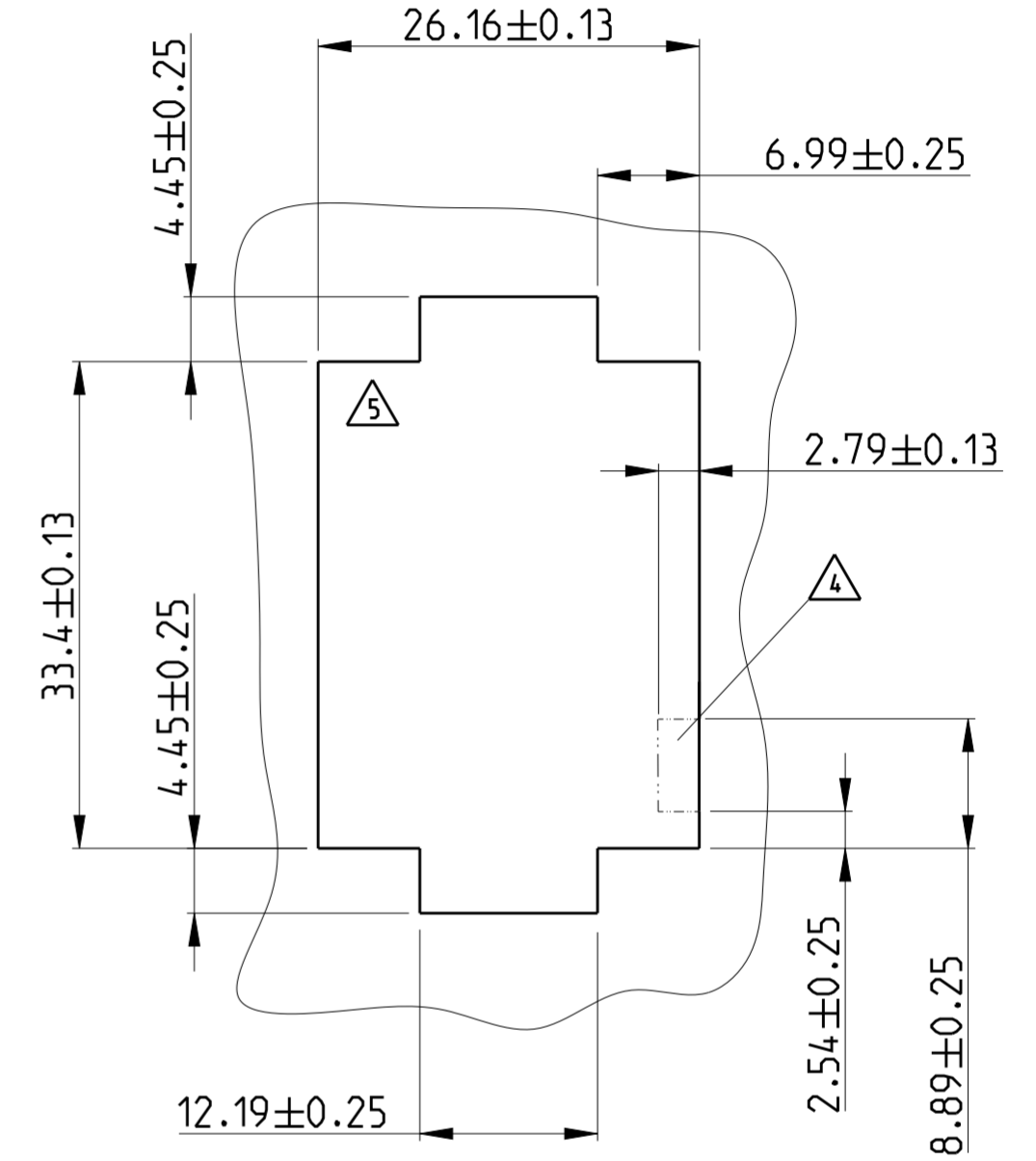


THIS DRAWING IS UNPUBLISHED. RELEASED FOR PUBLICATION 2003
 (C) COPYRIGHT 2003 ALL RIGHTS RESERVED.

LOC	DIST	REVISIONS					
		P	LTR	DESCRIPTION	DATE	DWN	APVD
A1	-		D7	REVISED PER ECR-17-014951	16OCT2017	BDA	KR

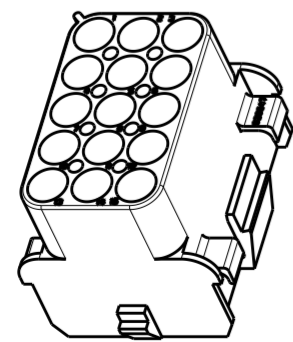


Montageausschnitt/PANEL CUT OUT
 Bestückungsseite/LOADING SIDE



Bemerkungen
 NOTES

- 1 Geeignet für UMNL Stift- und Buchsenkontakte
 BEEN SUITABLE FOR UMNL PIN- AND SOCKET CONTACTS
- 2 Empfohlene Blechstärke 0.75 - 2.3 mm
 RECOMMEND SHEET METAL THICKNESS 0.75 - 2.3 mm
- 3 Gehäuse muß in Stanzrichtung eingeführt werden
 HOUSING MUST BE INTRODUCED TO PUNCHING DIRECTION
- 4 Für verschlüsseltes Einsetzen der Gehäuse
 FOR CODED USING OF THE HOUSINGS
- 5 Position von Kammer 1 bei verschlüsseltem Einsetzen
 POSITION OF CAVITY 1 FOR CODED USING
- 6 Neues Material (Phosphor und Halogen frei)
 NEW MATERIAL (PHOSPHORUS AND HALOGENEOUS FREE)
- 7 Hersteller-Logo und Ländercode
 nach AMP-Spez. 115-18016
 BRANDNAME AND MANUFACTURING LOCATION CODE
 ACCORDING SPEC. 115-18016
- 8 Nur für italienische Produktion
 ITALIAN PRODUCTION ONLY
- 9 Glühdrahtprüfung 750° (ohne Flamme) nach IEC 60335-1 Ausgabe 06/2001
 GWT 750° (WITHOUT FLAME) ACC. 60335-1 EDITION 06/2001
- 10 Schüttgut in Beutel und Versandkarton PN 973 057-2
 BULK PACKAGING IN PLASTIC BAG AND CORRUGATED SHIPPING BOX PN 973 057-2
- 11 Farbe der Gehäuse kann anhand klar, grün oder gelb wegen hygroskopischen Natur resin.
 However es hat keinen Einfluss auf die Form, Passform und Funktion der Produktpalette.
 COLOR OF HOUSINGS MAY RANGE FROM CLEAR TO GREEN OR YELLOW DUE TO HYGROSCOPIC NATURE OF RESIN.
 HOWEVER IT DOESN'T AFFECT THE FORM, FIT AND FUNCTION OF THE PRODUCT.
- 12 DIMENSIONS SHOWN REPRESENT PRODUCT IN DRY, AS MOLDED, CONDITION. ADDITIONAL 2% GROWTH DUE
 TO SUBSEQUENT MOISTURE ABSORPTION MAY OCCUR AND SHOULD BE ACCOUNTED FOR.



1:1

	PART NO.	MATERIAL	COLOR
	926647-8 ⁹	PA6 UL 94 V-2	natur/ NATURAL
OBSOLETE	926647-7 ⁸	PA6.6 UL94 V-2	schwarz/BLACK
OBSOLETE	926647-6 ⁸	PA6.6 UL94 V-2	grün/GREEN
OBSOLETE	926647-5 ⁸	PA6.6 UL94 V-2	rot/RED
OBSOLETE	926647-4	PA6.6 UL94 V-0	natur/NATURAL
	926647-3	PA6.6 UL94 V-0	⁵ natur/NATURAL
	926647-2	PA6.6 UL94 V-0	⁶ schwarz/BLACK
	926647-1	PA6.6 UL94 V-2	¹¹ natur/NATURAL

THIS DRAWING IS A CONTROLLED DOCUMENT.

DWN Abraham.G. 12MAY03	 TE Connectivity NAME 15-pol. UMNL Aufnahmegehäuse UMNL 15-WAY CAP HOUSING SIZE CAGE CODE DRAWING NO RESTRICTED TO A2 C-926647 - WEIGHT 11.5 g SCALE 2:1 SHEET 1 OF 1 REV 07
CHK Kampmann.H. 13MAY03	
APVD Bleicher.M. 14APR2004	
PRODUCT SPEC 108-1031 APPLICATION SPEC 114-18011	
DIMENSIONS: mm	TOLERANCES UNLESS OTHERWISE SPECIFIED: 0 PLC/ ± 1 PLC/ ± 2 PLC/ ±0.2 3 PLC/ ± 4 PLC/ ± ANGLES ± FINISH
MATERIAL see table	see table