

THIS DRAWING IS UNPUBLISHED. RELEASED FOR PUBLICATION ,1995
 © COPYRIGHT 1995 ALL RIGHTS RESERVED.

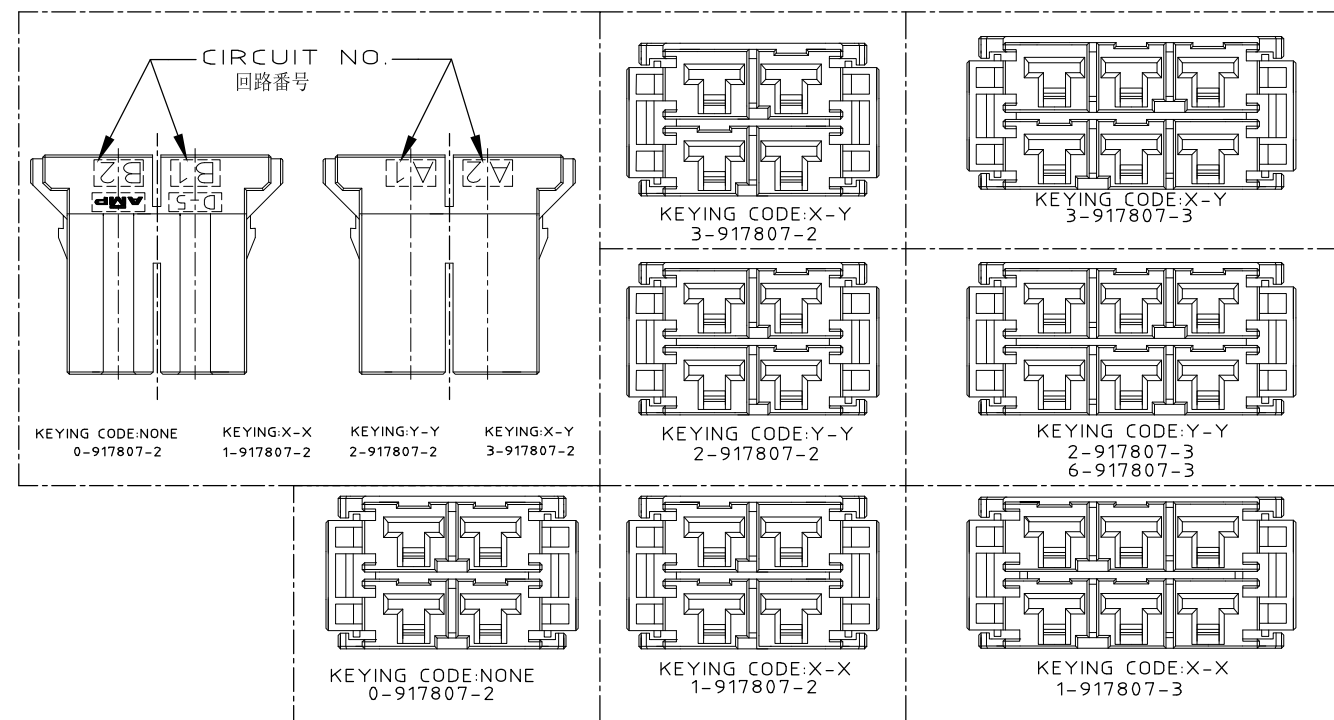
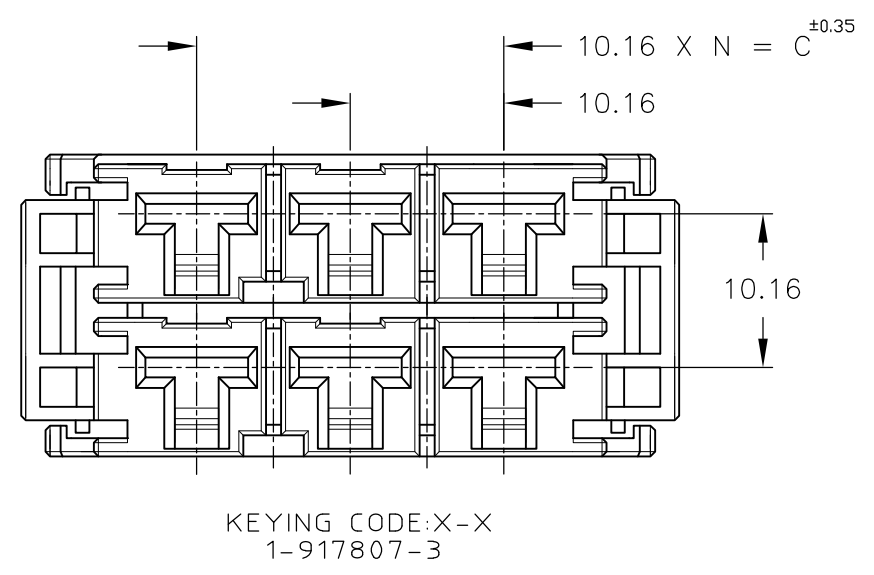
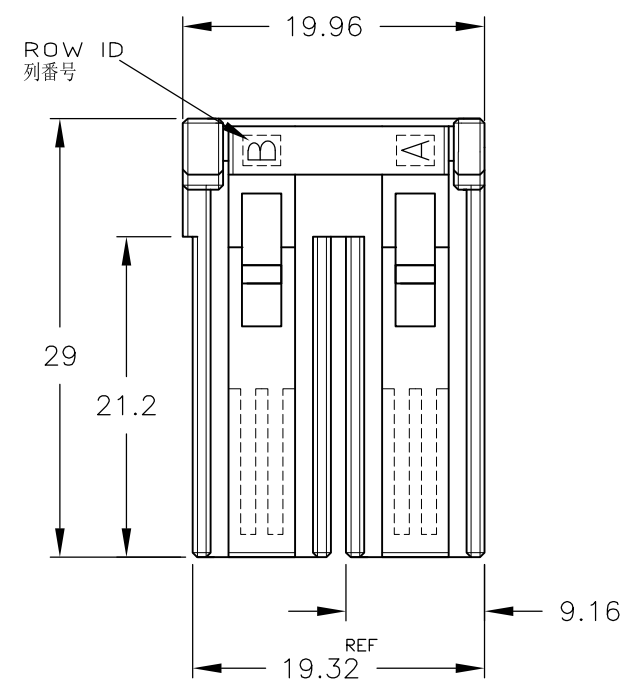
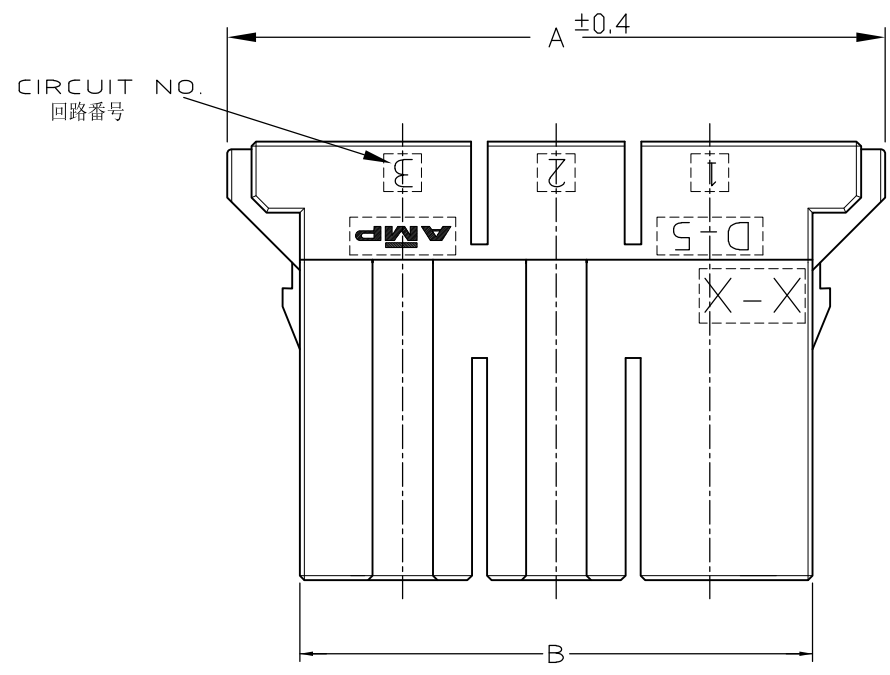
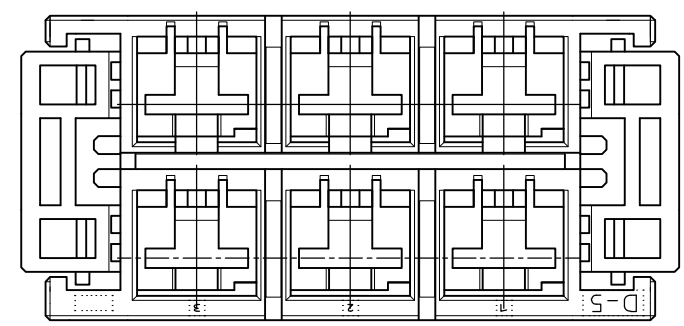
LOC		DIST		REVISIONS		
P	LTR	DESCRIPTION		DATE	DWN	APVD
	D	REVISED PER ECR-16-008312		08JUN16	K.K	E.T

注記

- ① 材料 ハウジングガラス入り熱可塑性
ポリエステル樹脂(94V-0),色黒
- ② ~~ハウジング全面にテフロン塗装のこと~~

NOTES

- ① MATERIAL:HOUSING:GLASS FILED THERMO PLASTIC
POLYESTER(94V-0),COLOR:BLACK
- ② ~~TO COAT ALL SURFACE OF HOUSING WITH TEFLON~~



OBSOLETE		YELLOW	20.32	33.92	43.52	2	6	6-917807-3
		BLACK						5-917807-3
		BLACK						3-917807-3
OBSOLETE		BLACK	20.32	33.92	43.52	2	6	2-917807-3
		BLACK						1-917807-3
		BLACK						6-917807-2
OBSOLETE		BLACK						5-917807-2
		BLACK						3-917807-2
		BLACK						2-917807-2
OBSOLETE		BLACK						1-917807-2
		BLACK	10.16	23.76	33.36	1	4	0-917807-2
		BLACK						
FINISH	COLOR	C	B	A	N	POS	P/N	

WIRE RANGE 抱合電線断面積 INSULATION DIA 被覆外径

DOWNSIDE: 単位 耗 mm		TOLERANCES UNLESS OTHERWISE SPECIFIED		DWN K.IKEDA 31/OCT/95			
		一般公差 10: ±0.2 30: >10 ±0.25 100: >30 ±0.3 ANGLE: ±0.3°		CHK Y.ISHIKAWA 31/OCT/95			
MATERIAL 材料		FINISH 仕上		APVD S.MANABE 1/NOV/95		NAME 名称	
				PRODUCT SPEC 製品規格		2列リセハウジング	
				APPLICATION SPEC 取付適用規格		DOUBLE ROW REC HSG	
				WEIGHT T1		<DYNAMIC D-5200 M>	
				CUSTOMER DRAWING		SIZE A3	CAGE CODE 00779
						DRAWING NO 917807	
						SCALE 尺度 2-1	SHEET 1 OF 1
						REV D	