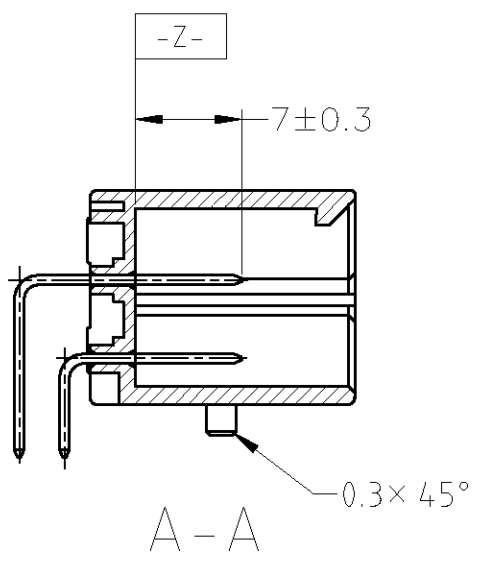
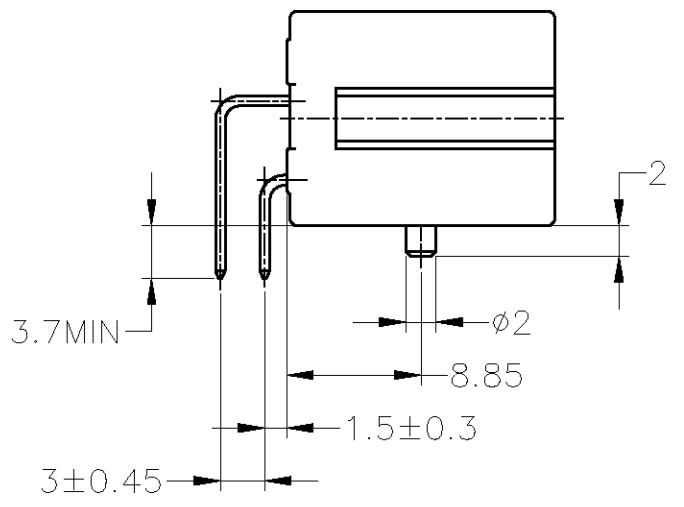
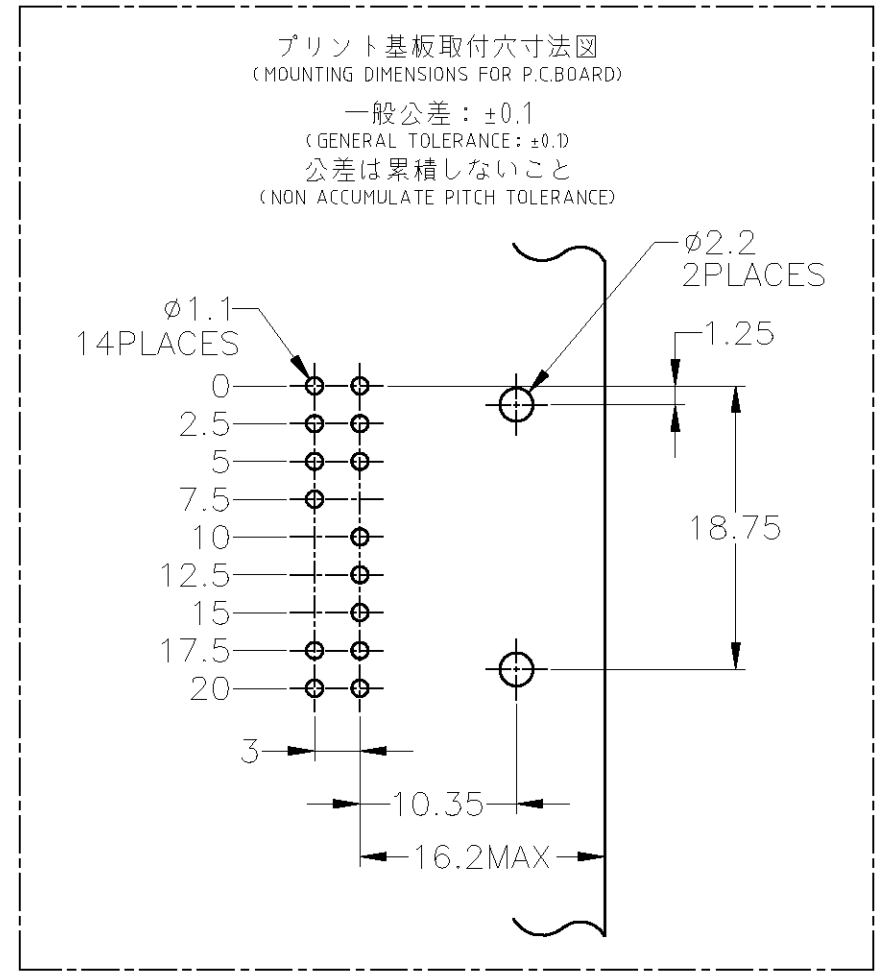
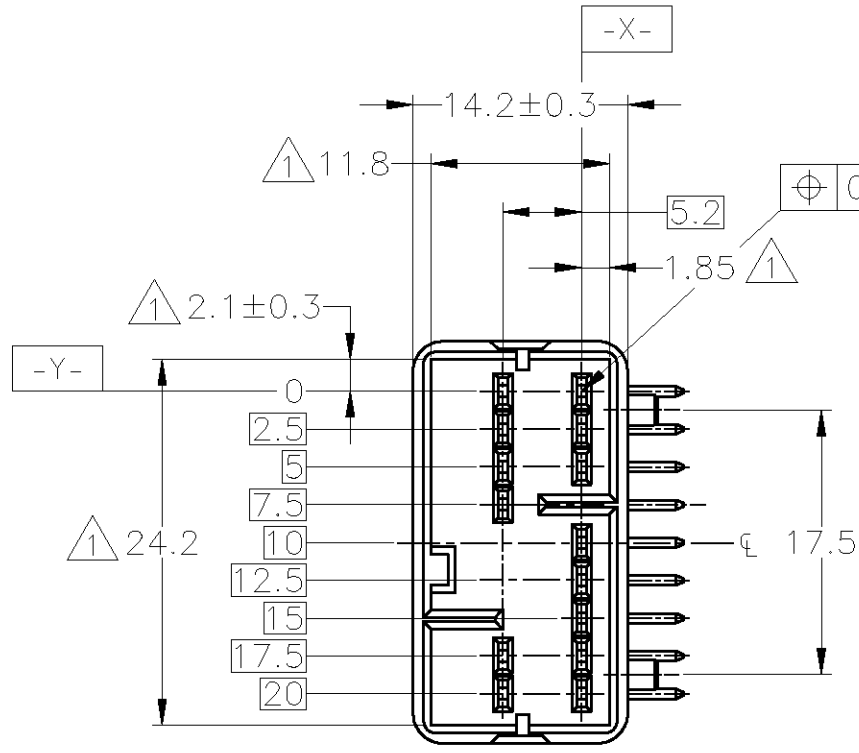
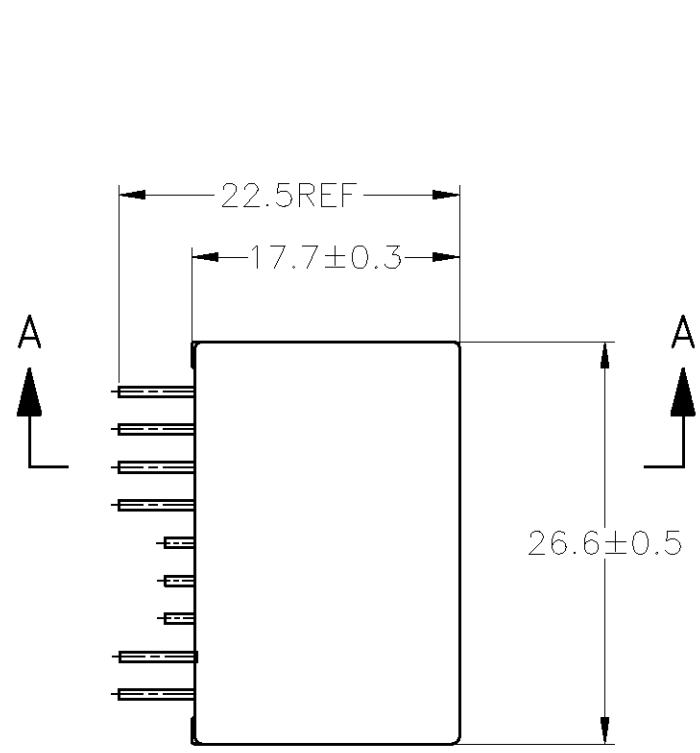


THIS DRAWING IS UNPUBLISHED. RELEASED FOR PUBLICATION
 © COPYRIGHT - By Tyco Electronics JAPAN G.K. ALL RIGHTS RESERVED.

LOC	DIST	REVISIONS			
P	LTR	DESCRIPTION	DATE	DWN	APVD
J	-	A	REDRAWN W/CHANGE	ECR-13-002015	11MAR2013 TS KB



- 1. MUST BE KEPT BETWEEN [-Z-] AND 2
 - 2. RECOMMENDED MOUNTING SCREW; 3mm DIA, 6mm LENGTH (MAX.)
PAN HEAD, CLASS 2 TAPPING SCREW SPECIFIED IN JIS B1115, B1122
(TIGHTENING TORQUE; 0.4N-m MAX.)
 - 3. THE MATING PLUG HOUSING NUMBERS: 917531
- 1. [-Z-] 面から2mmの範囲で測定
 - 2. 推奨取付ねじ; JIS B1115, B1122 タッピンねじ, なべ2種
呼び径3, 長さ6mm以下 (締付けトルク; 0.4N-m以下)
 - 3. 嵌合相手ハウジング型番; 917531

NATURAL	917604-1
COLOR	PART NUMBER

TOLERANCE UNLESS OTHERWISE SPECIFIED:
一般公差

0 < x ≤ 10	±0.2
10 < x ≤ 30	±0.25
30 < x ≤ 100	±0.3
ANGLE	±3°

THIS DRAWING IS A CONTROLLED DOCUMENT.

DIMENSIONS:	TOLERANCES UNLESS OTHERWISE SPECIFIED:
mm	0 PLC ± -
	1 PLC ± -
	2 PLC ± -
	3 PLC ± -
	4 PLC ± -
	ANGLES ± -
MATERIAL	FINISH
HOUSING; PBT	PRE-TINNED
CONTACT; BRASS	

DWN	T.SHINOHARA	04FEB2013
CHK	K.BETSUI	04FEB2013
APVD	K.BETSUI	04FEB2013
PRODUCT SPEC	108-5470	
APPLICATION SPEC	-	
WEIGHT	-	

TE Connectivity				NAME 040 SERIES MULTI-LOCK CONNECTOR 14POSITION CAP HOUSING ASSEMBLY	
CUSTOMER DRAWING		A3	00779	C-917604	-
SCALE	2:1	SHEET	1 OF 1	REV	A