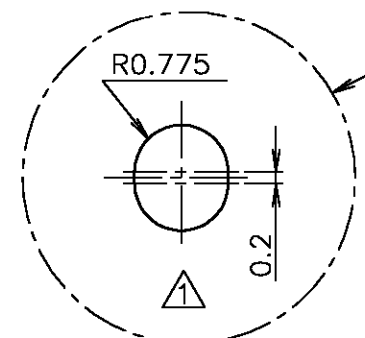
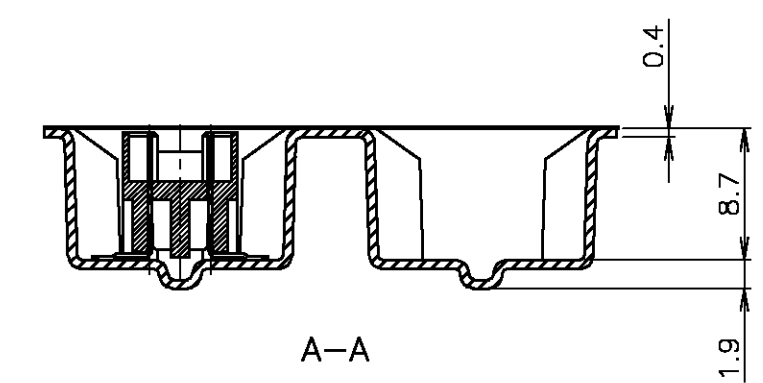
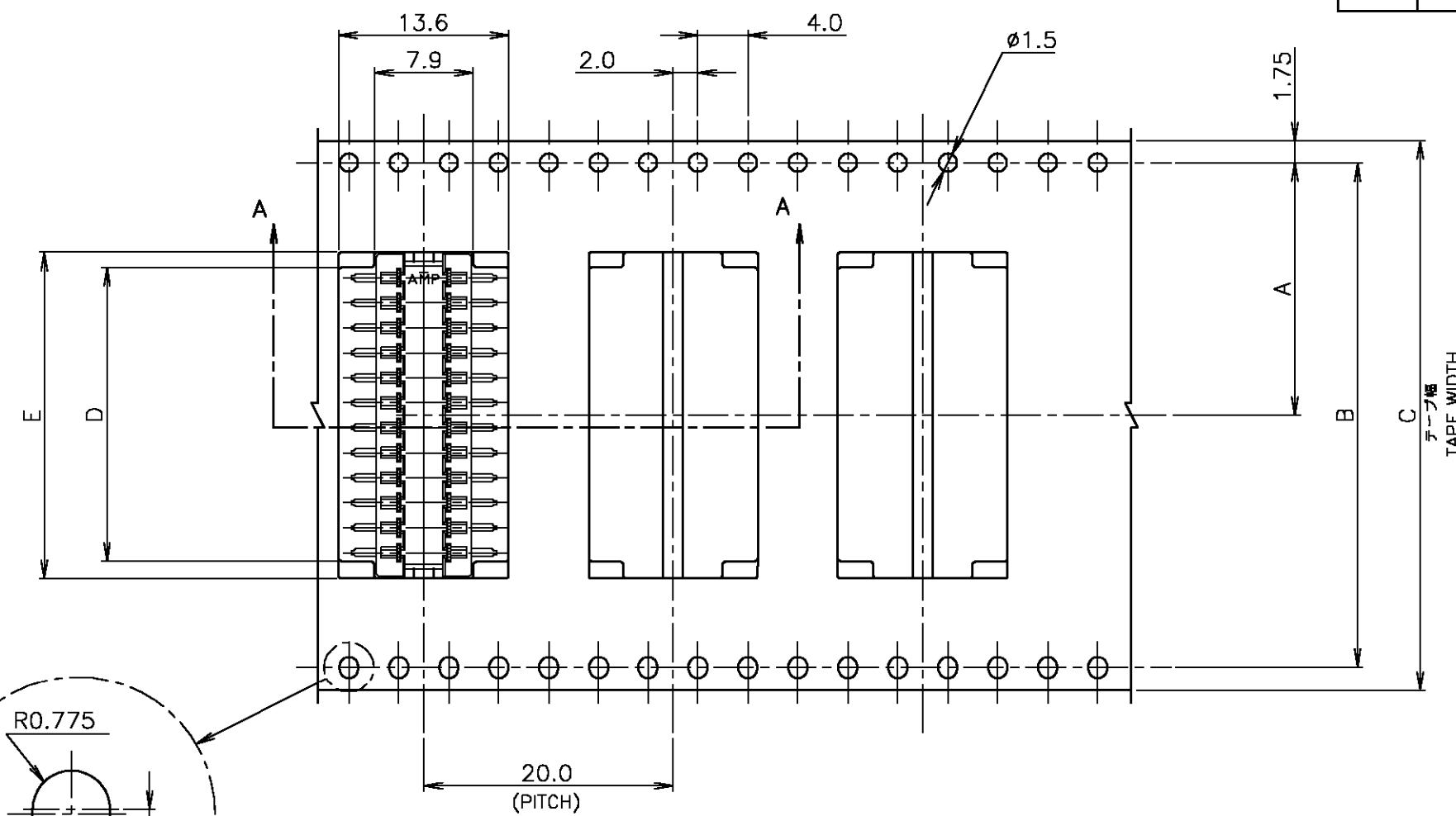


THIS DRAWING IS UNPUBLISHED. RELEASED FOR PUBLICATION  
 © COPYRIGHT BY TYCO ELECTRONICS CORPORATION. ALL RIGHTS RESERVED.

LOC	DIST	REVISIONS					
J		P	LTR	DESCRIPTION	DATE	DWN	APVD
		A	REVISED	FJBO-0346-03	28APR03	T.K	Y.Y

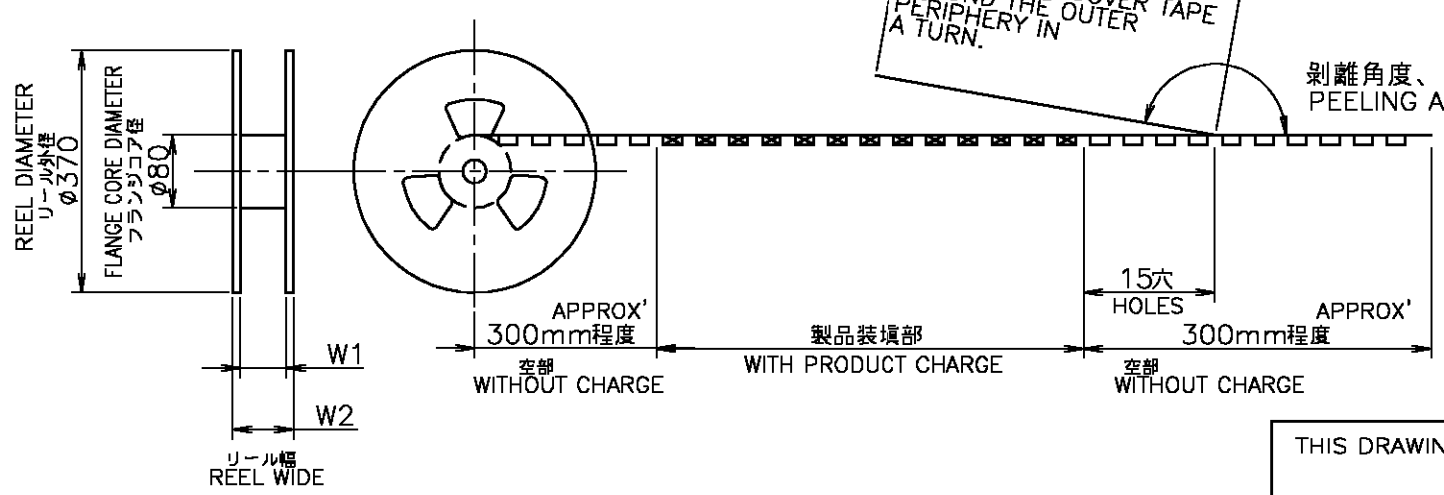


引出し方向  
TOP OF REEL →

- 注記  
 ① 指示穴は30極品のみ適用  
 2. リセコンタクト仕上げ;ニッケル下地 錫めっき

- NOTES  
 ① THESE HOLES ARE APPLIED TO 30 Pos. ONLY.  
 2. REC CONTACT FINISH :  
 TIN PLATING, Ni UNDER PL. ALL OVER

カバーテープ  
リーダー部  
外周一巻  
WEEDING THE COVER TAPE  
AROUND THE OUTER  
PERIPHERY IN  
A TURN.  
剥離角度、165° ~ 180°  
PEELING ANGLE.



49.5	45.5	32.1	29.6	44	40.4	20.2	400	30	3-917412-0	3-917413-0
29.5	25.5	12.1	9.6	24	---	11.5	400	10	1-917412-0	1-917413-0
W2	W1	E	D	C	B	A	数量 (ヶ) QTY/REEL	極数 Pos.	コネクタ型番 (バラ状) CONNECTOR P/N (L/P)	リール巻 コネクタ型番 TAPING P/N

THIS DRAWING IS A CONTROLLED DOCUMENT.

DWN: K.ASAKAWA 02JUN95  
 CHK: S.KUBOUCHI 05JUN95  
 APVD: S.KUBOUCHI 05JUN95

**tyco** Tyco Electronics AMP K.K.  
**Electronics** Kawasaki, Japan

PRODUCT SPEC: ---  
 APPLICATION SPEC: ---  
 WEIGHT: ---

SIZE: A3 CAGE CODE: 00779 DRAWING NO: C-917413 RESTRICTED TO: ---

CUSTOMER DRAWING SCALE: NTS SHEET: 1 OF 1 REV: A