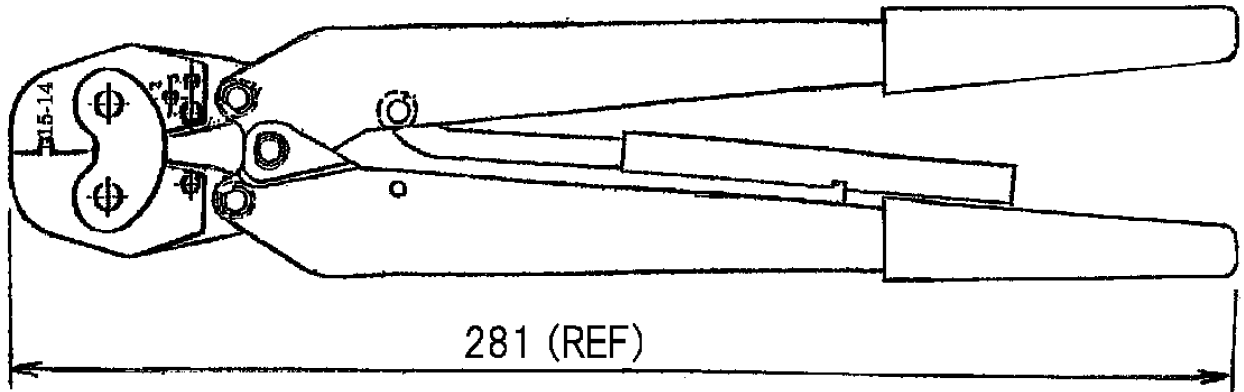
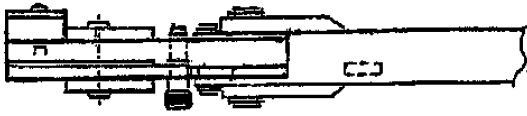


LOC J	DIST —	REVISIONS ?o			DATE	DWN	APVD
		P	LTR	DESCRIPTION			
		B		ECR-08-000469	09.JAN.08	S.N	S.Y



CRIMP SYMBOL	TERMINAL NO		WIRE SIZE (mm ²)	INSUL SIZE (mm)	TERMINAL C/H(mm)		TERMINAL SPEC	IS NO.
	STRIP	L.P.			WIRE	INS		
圧着部 記号	適用端子		適用電線	絶縁被覆径	芯線部圧着高さ(mm)		圧着規格	IS 番号
	連鎖状	バラ状	(mm ²)	(mm)	WIRE	INS		
15-14	—	170335	# 15-14 (1.75-2.27)	3.0-4.0	—	—	114- 5042	411- 5392

RELEASED FOR PUBLICATION

ALL RIGHTS RESERVED.

COPYRIGHT © BY TYCO ELECTRONICS CORPORATION.

THIS DRAWING IS UNPUBLISHED.

DIMENSIONS: XM? ? mm	DWN (R. SUZUKI) 12.NOV.1997	MATERIAL P? —	FINISH □ —
	CHK K. SHIMADA 12.NOV.1997	Tyco Electronics Corporation Kawasaki, Japan	
TOLERANCES UNLESS OTHERWISE SPECIFIED: ,l↑	APVD S. YABE 12.NOV.1997	NAME ?o DOUBLE ACTION HAND TOOL ASS'Y	
	PRODUCT SPEC yA縁< —	SIZE	CAGE CODE
0 PLC ± -	APPLICATION SPEC yA進<縁< —	DRAWING NO	RESTRICTED TO
1 PLC ± -		A4 00779	—
2 PLC ± -		C-911775-1	
3 PLC ± -			
4 PLC ± -			
ANGLES ± -	WEIGHT —	SCALE ?o —	SHEET 1 OF 1
	CUSTOMER DRAWING	REV B	