

LOC J	DIST —	REVISIONS 変更			
P	LTR	DESCRIPTION	DATE	DWN	APVD
	A	RELEASED	02SEP05	MK	KB

SEE CUSTOMER DWG  
353015

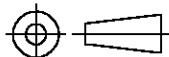

THIS DRAWING IS UNPUBLISHED.

ALL RIGHTS RESERVED.

BY TYCO ELECTRONICS CORPORATION.

© COPYRIGHT

THIS DRAWING IS UNPUBLISHED.

DIMENSIONS: 単位： 特 mm  TOLERANCES UNLESS OTHERWISE SPECIFIED: 一般公差  0 PLC ± - 1 PLC ± - 2 PLC ± - 3 PLC ± - 4 PLC ± - ANGLES ± -  	DWN M.KADOSAKI 02SEP05	MATERIAL 材料 —	FINISH 仕上 —
	CHK T.SHINOHARA 02SEP05	 Tyco Electronics AMP K.K. Kawasaki, Japan	
	APVD K.BETSUI 02SEP05	NAME 名称 040 III HIGH DENSITY CONNECTOR 122P CAP HOUSING ASSY	
	PRODUCT SPEC 製品規格	SIZE A4	CAGE CODE 00779
	APPLICATION SPEC 取付適用規格	DRAWING NO 番号 C-9-5353015-1	RESTRICTED TO —
	WEIGHT	CUSTOMER DRAWING	
		SCALE 尺度 —	SHEET 1 OF 1 REV A