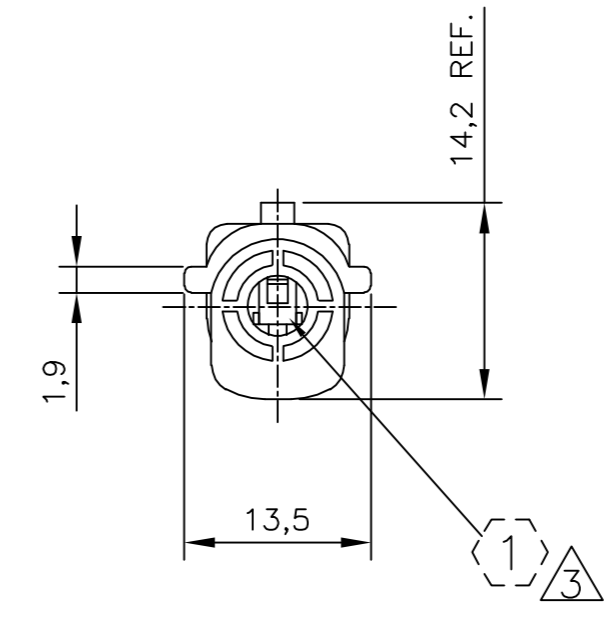
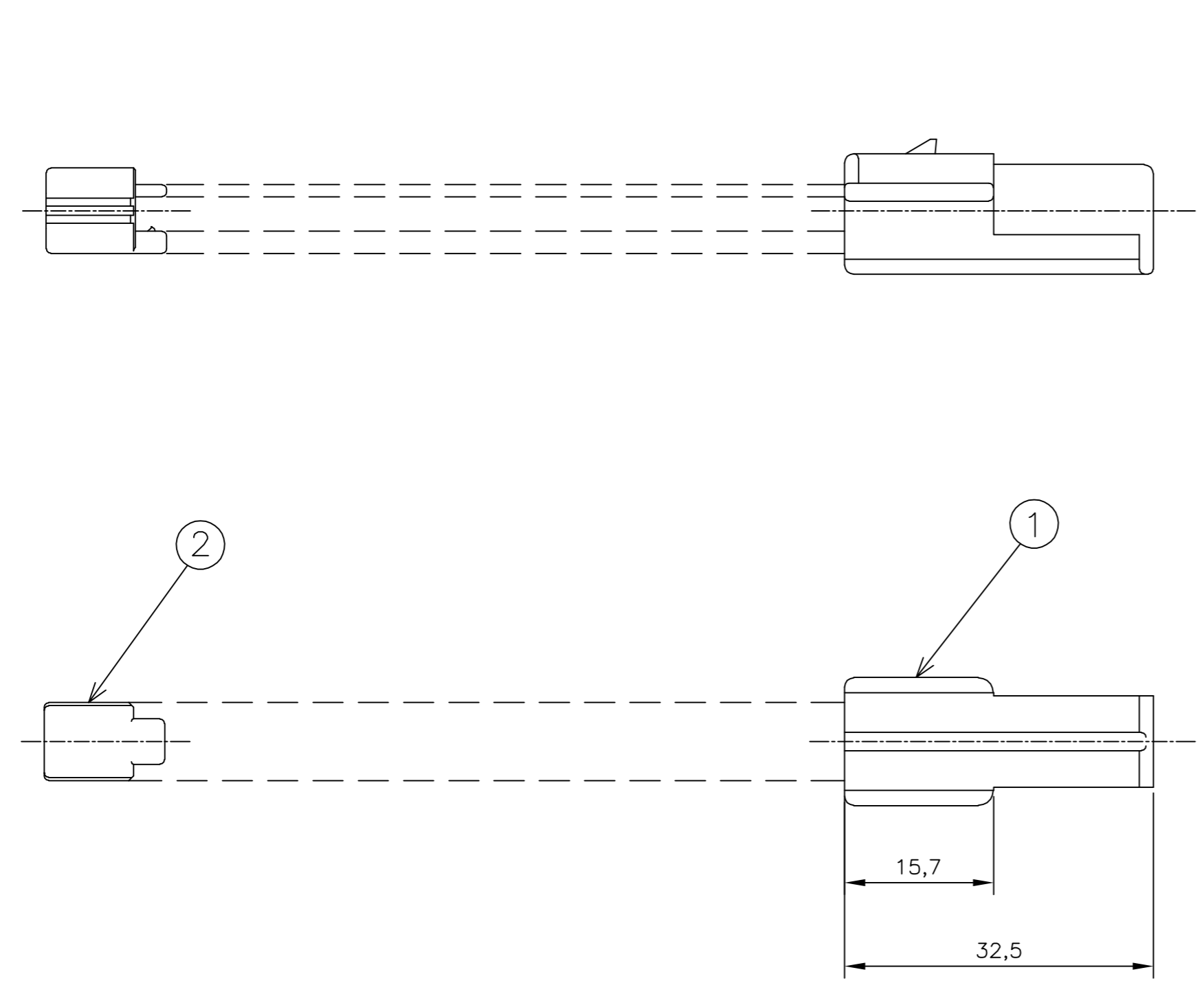


THIS DRAWING IS UNPUBLISHED. RELEASED FOR PUBLICATION  
 © COPYRIGHT - By - ALL RIGHTS RESERVED.

LOC		DIST		REVISIONS			
P	LTR	DESCRIPTION	DATE	DWN	APVD		
	D1	REVISED DESIGN ECO-12-009584	24MAY2012	NCL	GOJ		



- 1 - OS ITENS 1 e 2 DEVEM SER FORNECIDOS DESMONTADOS  
ITEMS 1 AND 2 MUST BE SUPPLIED NOT ASSEMBLED
- 2 - CONTRA-PEÇA: VER DESENHO PN 881771  
COUNTER-PART: SEE DRAWING PN 881771
- ③ - INDICAÇÃO DOS CIRCUITOS SOMENTE ORIENTATIVO: NÃO CONSTAM COMO GRAVAÇÃO NA PEÇA FÍSICA  
CIRCUIT INDICATION IS ONLY ORIENTATIVE: DON'T HAVE MARKING IN THE PHYSICAL PART

SELOS RECOMENDADOS RECOMMENDED WIRE SEALS					
172748-1	SINGLE WIRE SEAL	CAVITY PLUG	CAVITY PLUG	SILICONE / SILICON	PRETO/BLACK
172748-2	SINGLE WIRE SEAL	CAVITY PLUG	CAVITY PLUG	SILICONE / SILICON	CINZA/GRAY
444430-1	SINGLE WIRE SEAL	0,5 TO 1,5mm <sup>2</sup>	Ø 1,4 TO 2,4mm	SILICONE / SILICON	MARROM/BROWN
PART NUMBER	DESCRIÇÃO DESCRIPTION	WIRE RANGE	INSULATION RANGE	MATERIAL	ACABAMENTO FINISH

TERMINAIS RECOMENDADOS RECOMMENDED TERMINALS					
881590-1	TERMINAL 1.8 ECONOSEAL "J" SERIES MARKII TAB	0,5 TO 1,0mm <sup>2</sup>	Ø 1,4 TO 2,0mm	LATÃO/BRASS	PRÉ ESTANHADO/PRE TIN
881590-2	TERMINAL 1.8 ECONOSEAL "J" SERIES MARKII TAB	0,5 TO 1,0mm <sup>2</sup>	Ø 1,4 TO 2,0mm	BRONZE	PRÉ ESTANHADO/PRE TIN
881593-1	TERMINAL 1.8 ECONOSEAL "J" SERIES MARKII TAB	0,5 TO 1,0mm <sup>2</sup>	Ø 1,4 TO 2,4mm	LATÃO/BRASS	PRÉ ESTANHADO/PRE TIN
881593-2	TERMINAL 1.8 ECONOSEAL "J" SERIES MARKII TAB	0,5 TO 1,0mm <sup>2</sup>	Ø 1,4 TO 2,4mm	BRONZE	PRÉ ESTANHADO/PRE TIN
881594-1	TERMINAL 1.8 ECONOSEAL "J" SERIES MARKII TAB	1,0 TO 1,5mm <sup>2</sup>	Ø 1,4 TO 2,4mm	LATÃO/BRASS	PRÉ ESTANHADO/PRE TIN
881594-2	TERMINAL 1.8 ECONOSEAL "J" SERIES MARKII TAB	1,0 TO 1,5mm <sup>2</sup>	Ø 1,4 TO 2,4mm	BRONZE	PRÉ ESTANHADO/PRE TIN
PART NUMBER	DESCRIÇÃO DESCRIPTION	WIRE RANGE	INSULATION RANGE	MATERIAL	ACABAMENTO FINISH

1	2	DESCRIPTION	MATERIAL	ACABAMENTO FINISH
1	1	DOUBLE LOCK 1 POSN. ECONOSEAL "J" MARK II	PBT	AMARELO / YELLOW
1	1	PLUG HSG, 1 POSN. ECONOSEAL "J" MARK II	PBT	PRETO / BLACK
-1				
881770				

THIS DRAWING IS A CONTROLLED DOCUMENT.

DIMENSIONS: mm	TOLERANCES UNLESS OTHERWISE SPECIFIED:	DWN: NCLapresa 12MAY2011	TE Connectivity	
	0 PLC ± -	CHK: José R. Goldschmidt 13MAY2011	NAME: -	
	1 PLC ± 0,3	APVD: Mauricio Gisoldi 13MAY2011	KIT ECONOSEAL "J" 1 POSN.	
	2 PLC ± -	PRODUCT SPEC	-	
	3 PLC ± -	APPLICATION SPEC	-	
MATERIAL: VER TABELA	ANGLES FINISH: ± 1°	WEIGHT: -	SIZE: A2	CAGE CODE: 00779
CUSTOMER DRAWING		SCALE: 2:1	DRAWING NO: 881770	RESTRICTED TO: -
		SHEET: 1 OF 1	REV: D1	

CAD  
DO NOT REVISE EXCEPT BY CAD

881770