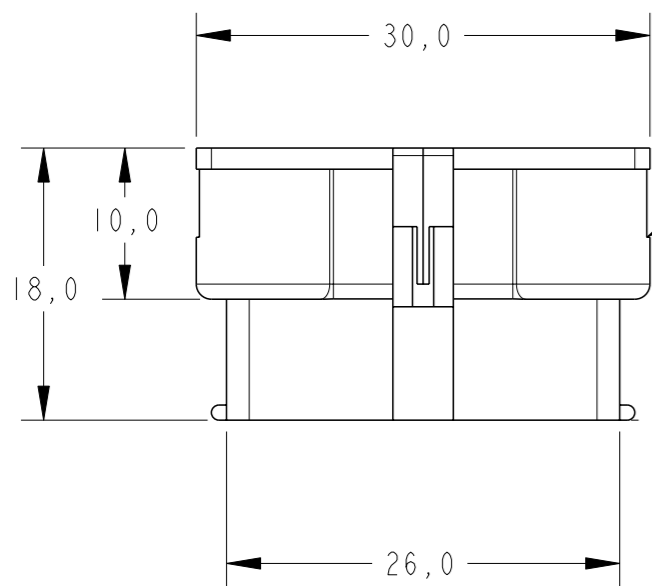
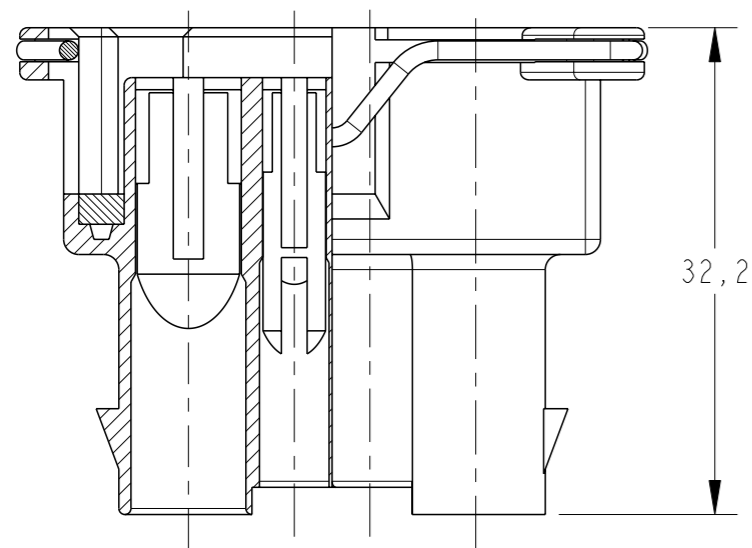
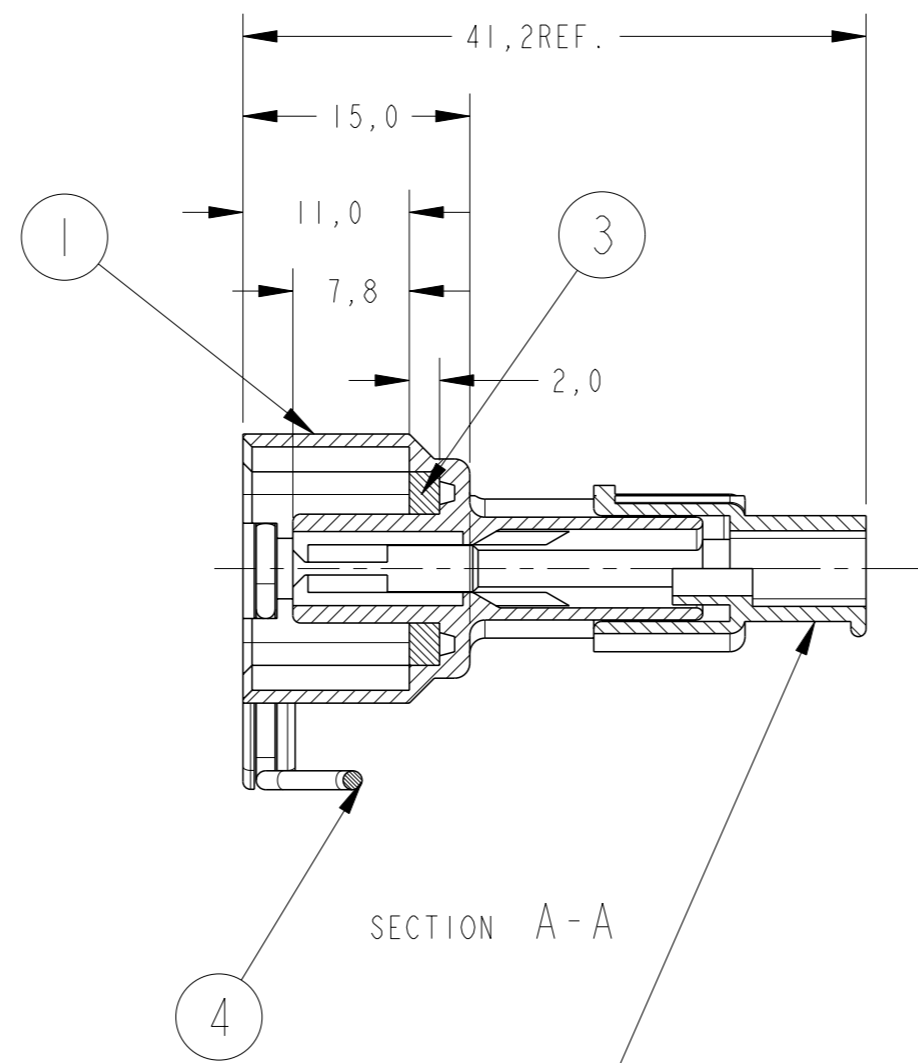
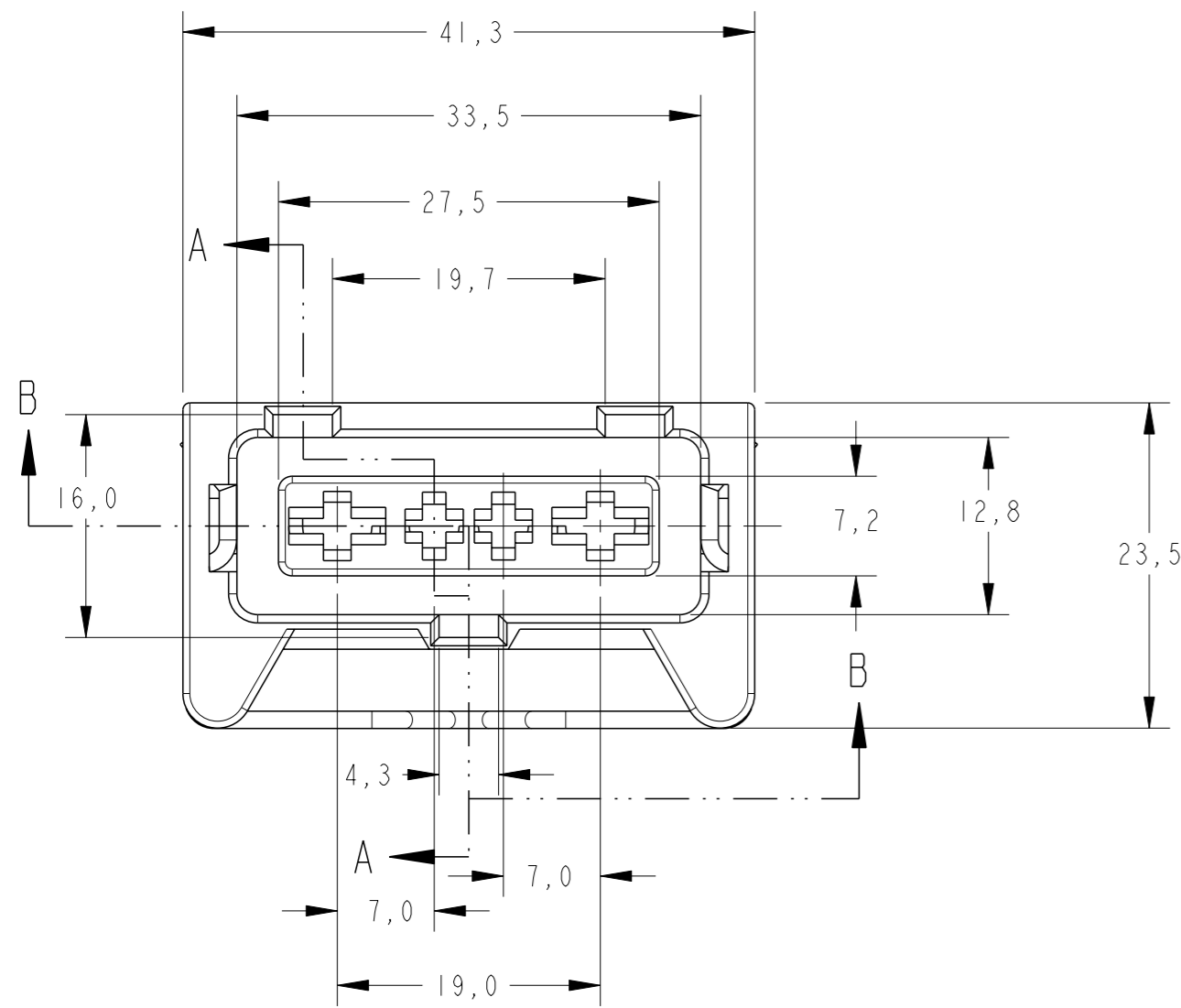


THIS DRAWING IS UNPUBLISHED. RELEASED FOR PUBLICATION 2012
 © COPYRIGHT 2012 BY TE CONNECTIVITY ALL RIGHTS RESERVED.

LOC		DIST		REVISIONS			
P	LTR	DESCRIPTION	DATE	DWN	APVD		
AP	-	C	REVISED DESIGN ECO-12-013090	02AUG2012	NCL	DAO	



GRAVAÇÃO MARKING
LOGOTIPO AMP AMP LOGO
CÓDIGO PAÍS PRODUTOR MANUFACTURER COUNTRY CODE
NÚMERO COMPONENTE TE TE COMPONENT NUMBER
NÚMERO CAVIDADE CAVITY NUMBER
IDENTIFICAÇÃO CIRCUITO CIRCUIT IDENTIFICATION
LOGOTIPO VW VW LOGO
NÚMERO PEÇA CLIENTE CUSTOMER PART NUMBER
PAÍS PRODUTOR MANUFACTURER COUNTRY

⚠ -0 ITEM 2 DEVE SER FORNECIDO DESMONTADO ⚠ -ITEM 2 MUST BE SUPPLIED DISASSEMBLED
 2 -CAVIDADES PARA DOIS TERMINAIS JR E DOIS STD. POWER TIMER 2 -CAVITIES FOR TWO TERMINALS JR AND TWO STD POWER TIMER

REQ. PER ASSY	ITEM	DESCRIPTION	MATERIAL	FINISH
	4	SPRING, 4 POSN, JR/STD P.TIMER	STEEL WIRE DIN2076Ø1,25	—
	3	RUBBER SEAL, 4 POSN, JR/STD P.TIMER	SILICONE	LARANJA/ORANGE
	2	COVER CAP LOCKING, JR/STD P.TIMER	PA 6.6	AMARELO/YELLOW
	1	HOUSING, 4 POSN, JR/STD P.TIMER	PA 6.6 +30%FV/GF	PRETO/BLACK

THIS DRAWING IS A CONTROLLED DOCUMENT.

DWN	M.L. OGAWA	28APR99	TE Connectivity
CHK	P.L. FARIA	28APR99	
APVD	P.R. SILVA	28APR99	
PRODUCT SPEC			
DIMENSIONS: mm TOLERANCES UNLESS OTHERWISE SPECIFIED: 0 PLC ± 1 PLC ±0,3 2 PLC ±0,2 3 PLC ± 4 PLC ± ANGLES ±1° FINISH			NAME HOUSING ASSY, 4 POSN JR/STD POWER TIMER
MATERIAL	SEE TABLE	SEE TABLE	SIZE A2 CAGE CODE 00779 DRAWING NO. C-881730 RESTRICTED TO -
CUSTOMER DRAWING			SCALE 2:1 SHEET 1 OF 1 REV C