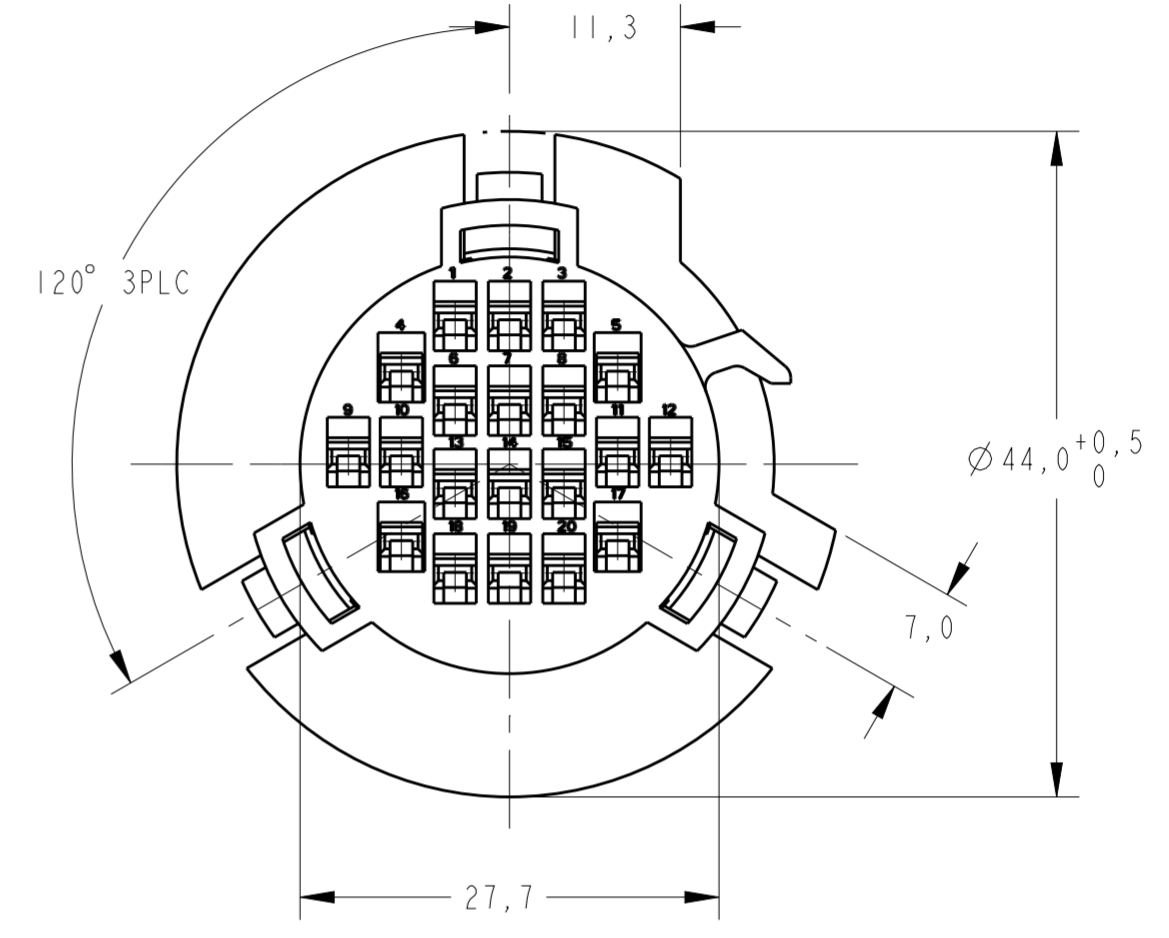
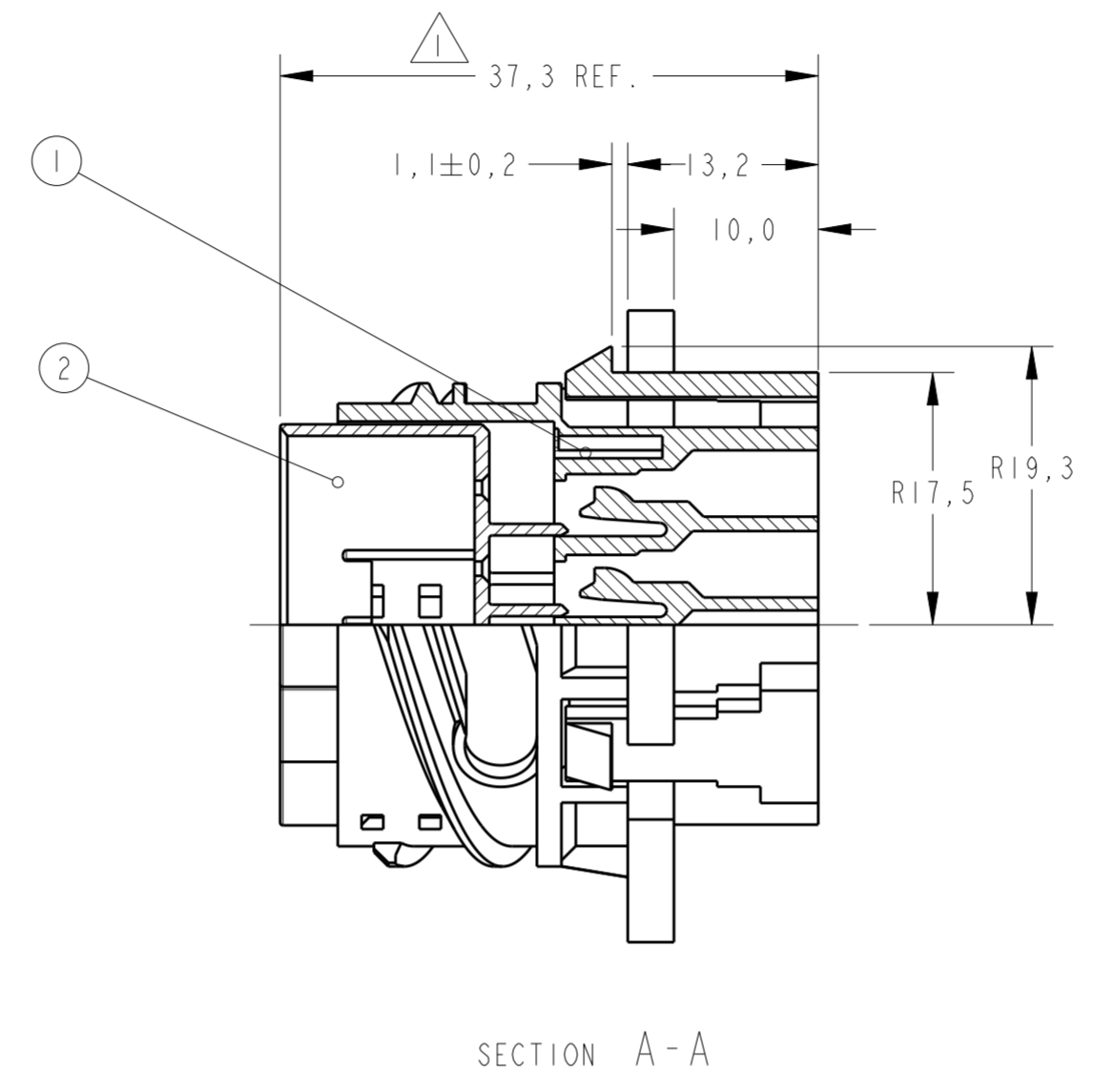
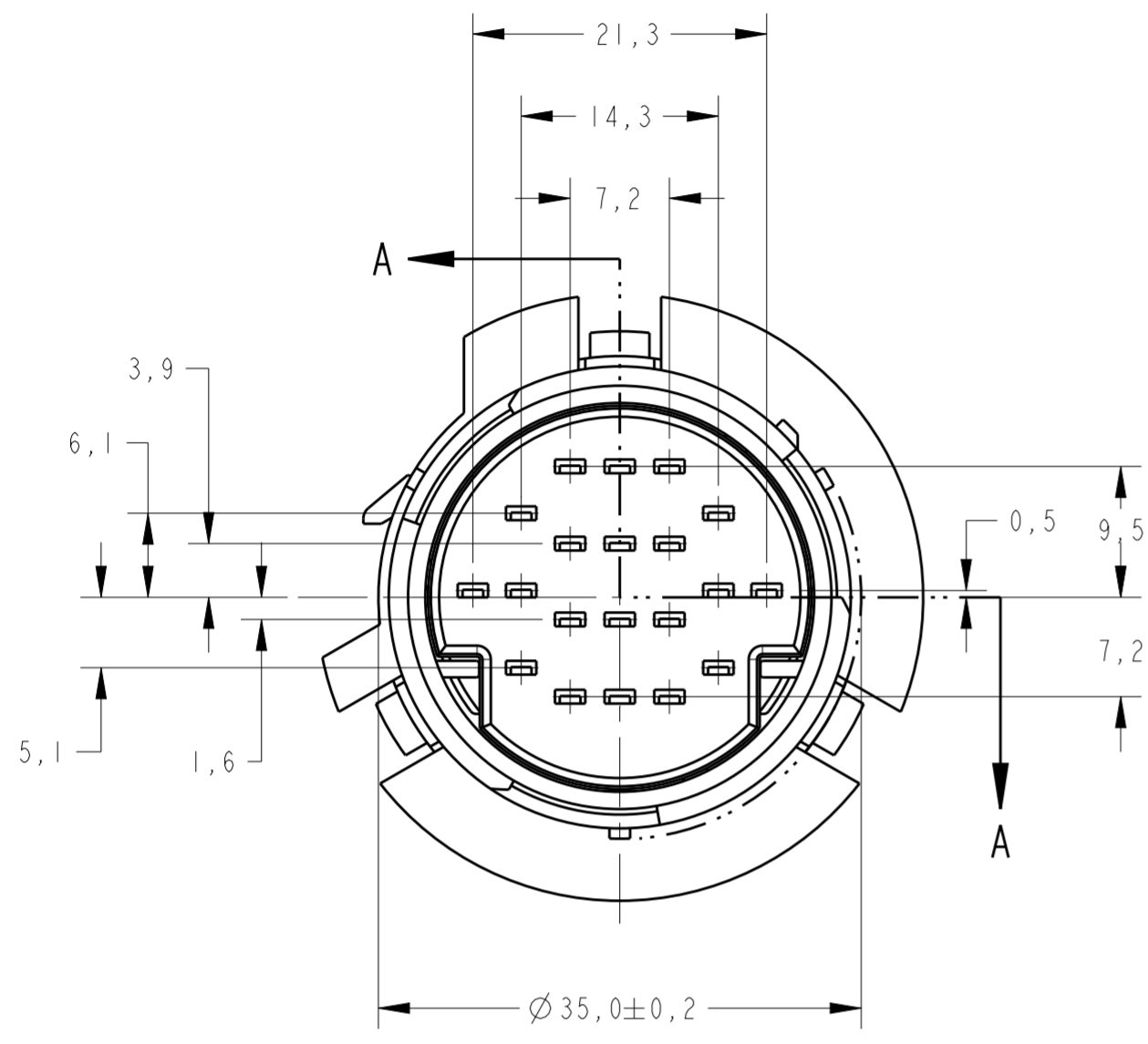
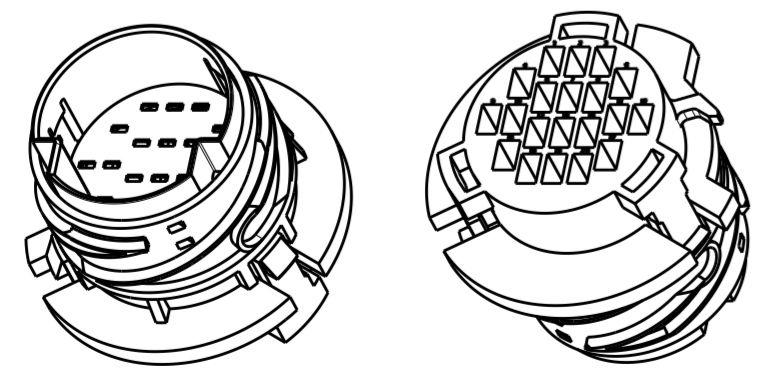


THIS DRAWING IS UNPUBLISHED. RELEASED FOR PUBLICATION
 © COPYRIGHT 20 ALL RIGHTS RESERVED.

LOC	DIST	REVISIONS			
P	LTR	DESCRIPTION	DATE	DWN	APVD
AP	-				
H		REVISED BY ECO-08-005674	10MAR2008	RKTL	SHO
H1		REVISED DRAWING ECO-11-011755	07JUN2011	NCL	NMS
H2		REVISED BY ECO-016688	31OCT2013	LAA	WA



- ① - OS ITENS 1 E 2 FORNECIDOS COMO MOSTRADO. ① - ITENS 1 AND 2 ARE SUPPLIED AS SHOWN.
- ② - GRAVAÇÕES CONFORME TABELA EXCETO LOGOTIPO E P.N. AUTOLATINA. ② - STAMP ACC TABLE EXECPT TRADEMARK AND PN AUTOLATINA.
- ③ - PARA FORNECER À FORD, VER DESENHO RESTRITO FORD. ③ - FOR SUPPLY TO FORD, SEE RESTRICTED FORD DRAWING.



PERSPECTIVE VIEWS
SCALE 1:1

GRAVAÇÃO MARKING	
LOGOTIPO TE	TE LOGO
CÓDIGO PAÍS PRODUTOR	MANUFACTURER COUNTRY CODE
NÚMERO COMPONENTE TE	TE COMPONENT NUMBER
NÚMERO CAVIDADE	CAVITY NUMBER
IDENTIFICAÇÃO CIRCUITO	CIRCUIT IDENTIFICATION
LOGOTIPO AUTOLATINA	AUTOLATINA LOGO
NÚMERO PEÇA CLIENTE	CUSTOMER PART NUMBER
PAÍS PRODUTOR	MANUFACTURER COUNTRY

QTY	PLC	ITEM	DESCRIPTION	MATERIAL	FINISH
1	1	2	SPACER, 20 POSN., MULTILOCK TAB.	PBT	BRANCO/WHITE
-	-	1	SPACER, 20 POSN., MULTILOCK TAB.	PBT	AMARELO/YELLOW
1	-	1	HOUSING 20 POSN., MULTILOCK TAB.	PA 6.6	② CINZA/GRAY
-	1	1	HOUSING 20 POSN., MULTILOCK TAB.	PA 6.6	② PRETO/BLACK
-	-	1	HOUSING 20 POSN., MULTILOCK TAB.	PBT	② PRETO/BLACK
-	-	1	HOUSING 20 POSN., MULTILOCK TAB.	PBT	PRETO/BLACK
REQ. PER ASSY		ITEM	DESCRIPTION	MATERIAL	FINISH
-4	③	-3	③	-2	-1
881643					

THIS DRAWING IS A CONTROLLED DOCUMENT.

DWN: F.S. MARTINS 23 JUN 99
 CHK: P.L. FARIA 24 MAR 00
 APVD: F.J. GROLLA 24 MAR 00

STE TE Connectivity

NAME: HSG, DOOR'S OFF ASSY, MULTILOCK TAB.

SIZE: A2 CAGE CODE: 00779 DRAWING NO: 881643 RESTRICTED TO: -

MATERIAL: SEE TABLE TOLERANCES UNLESS OTHERWISE SPECIFIED: SEE TABLE

Customer Drawing SCALE: 2:1 SHEET 1 OF 1 REV: H2