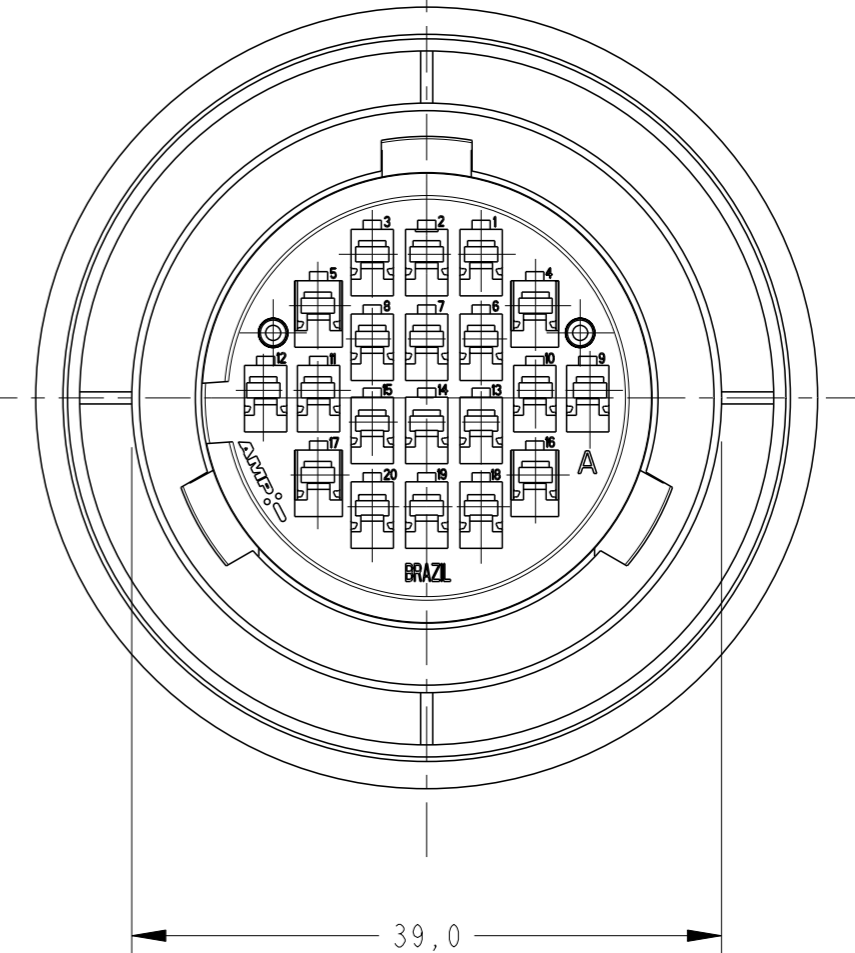
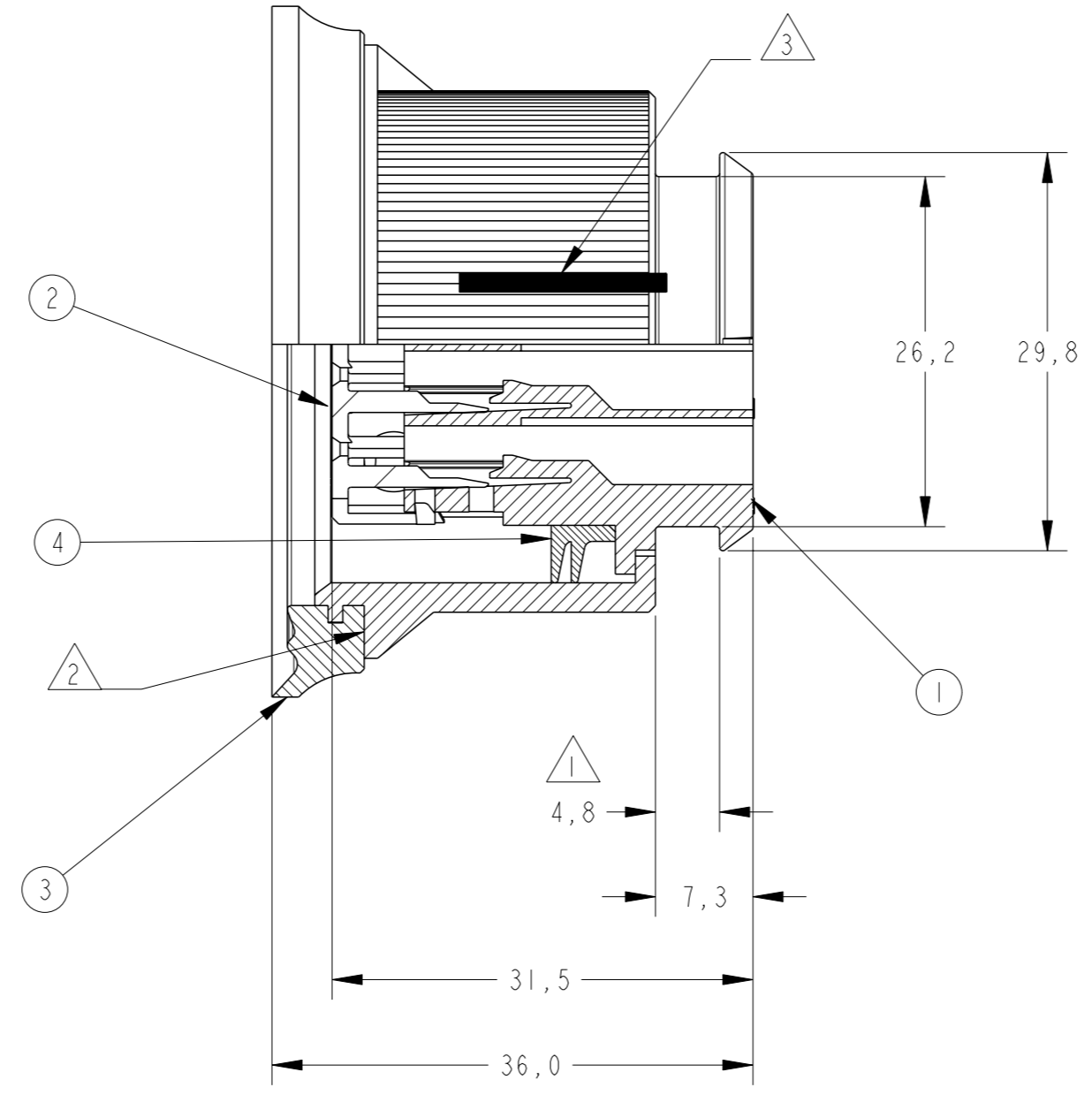
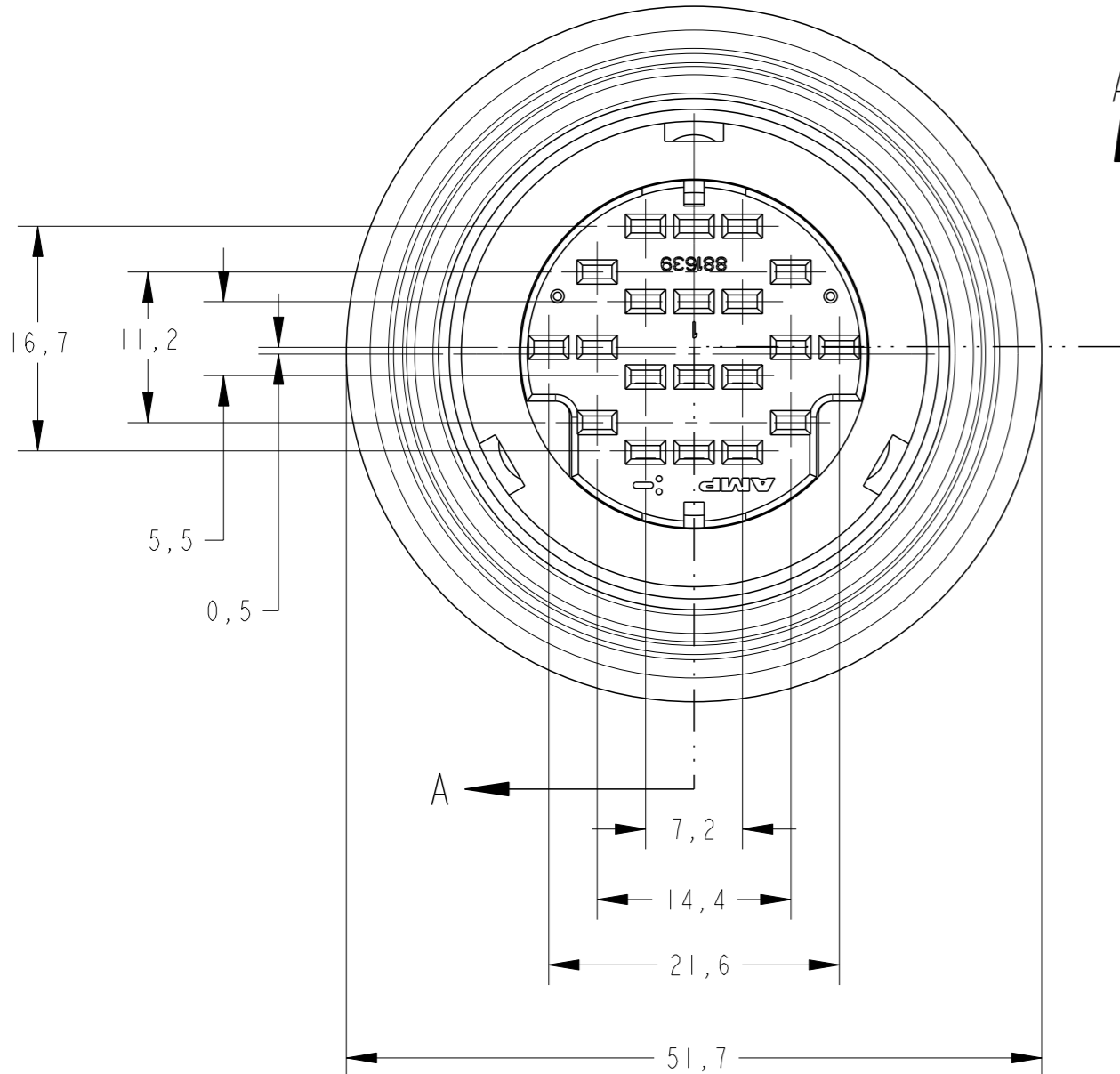
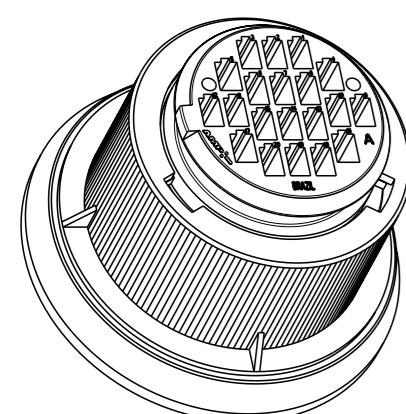


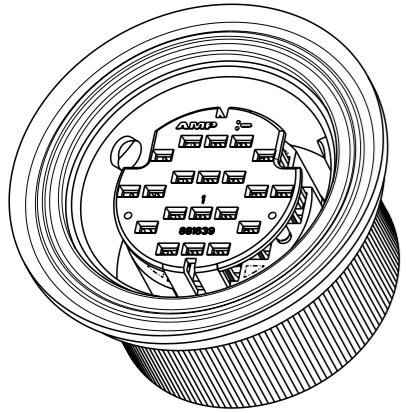
LOC	DIST	REVISIONS			
P	LTR	DESCRIPTION	DATE	DWN	APVD
AP	-				
M		REVISED BY ECO-08-005674	10MAR2008	RKTL	SHO
M1		REVISED DESIGN ECO-11-012585	21JUN2011	NCL	ASV
M2		CHANGED BY ECO-12-014076	02AUG2012	FC	GO



GRAVAÇÃO MARKING
LOGOTIPO TE TE LOGO
CÓDIGO PAÍS PRODUTOR MANUFACTURER COUNTRY CODE
NÚMERO PEÇA TE TE PART NUMBER
NÚMERO CAVIDADE CAVITY NUMBER
IDENTIFICAÇÃO CIRCUITO CIRCUIT IDENTIFICATION
PAÍS PRODUTOR MANUFACTURER COUNTRY
LOGOTIPO VW VW LOGO
NÚMERO PEÇA CLIENTE CUSTOMER PART NUMBER



PERSPECTIVE VIEWS SCALE 1:1



- 1 - OS ITENS 2 E 3 SÃO FORNECIDOS CONFORME MOSTRADO.
 - 2 - SELO DO COUPLING É SOBREINJETADO.
 - 3 - MARCA INDELÉVEL NA COR BRANCA (3 LOCAIS A 120°).
 - 4 - PARA FORNECER À VW, VER DESENHO RESTRITO VW
 - 5 - PARA FORNECER À FORD, VER DESENHO RESTRITO FORD
 - 6 - PA 6.6 COM 25% FIBRA DE VIDRO, TEOR DE UMIDADE 1,0% A 2,0% E SANTOPRENE 201-55
 - 7 - GRAVAR DE ACORDO COM A TABELA EXCETO LOGO E NÚMERO AUTOLATINA
- 1 - ITENS 1 AND 2 SUPPLIED AS SHOW.
 - 2 - COUPLING RING SEAL IS OVERMOLDED
 - 3 - PERMANENT MARK WITH WHITE COLOR (3 PLACES AT 120°).
 - 4 - SEE RESTRICTED CUSTOMER DRAWING VW
 - 5 - SEE RESTRICTED CUSTOMER DRAWING FORD
 - 6 - PA 6.6 WITH 25% GLASS FIBER-MOISTURE CONTENT 1,0% TO 2,0% AND SANTOPRENE 201-55
 - 7 - STAMP ACCORDING WITH TABLE, EXCEPT LOGO AND AUTOLATINA PART NUMBER

REQ. PER ASSY	ITEM	DESCRIPTION	MATERIAL	FINISH
1	4	SEALING 20 POSN.,MULTI LOCK REC.	SILICONE/SILICON	NATURAL
1	3	SEALED COUPLING RING	6	PRETO
1	2	SPACER 20 POSN.,MULTI LOCK REC.	PBT	NATURAL
-	2	SPACER 20 POSN.,MULTI LOCK REC.	PBT	AMARELO
1	1	HOUSING 20 POSN.,MULTI LOCK REC.	PA6.6	PRETO
-	1	HOUSING 20 POSN.,MULTI LOCK REC. 7	PBT	PRETO
-	1	HOUSING 20 POSN.,MULTI LOCK REC. 7	PBT	PRETO

THIS DRAWING IS A CONTROLLED DOCUMENT.

DWN: A PERUSSI 09JUN99
 CHK: P.L.FARIA 24MAR00
 APVD: E.J.GROLIA 24MAR00

STE TE Connectivity

HOUSING ASSEMBLY, 20 POSN., MULTILOCK RECEPTACLE

SIZE: A2 CAGE CODE: 00779 DRAWING NO: C-881637 RESTRICTED TO: -

MATERIAL: SEE TABLE TOLERANCES UNLESS OTHERWISE SPECIFIED: SEE TABLE

0 PLC ±
 1 PLC ±0,3
 2 PLC ±
 3 PLC ±
 4 PLC ±
 ANGLES ±1°
 FINISH

WEIGHT: -

CUSTOMER DRAWING SCALE: 2:1 SHEET 1 OF 1 REV: M2