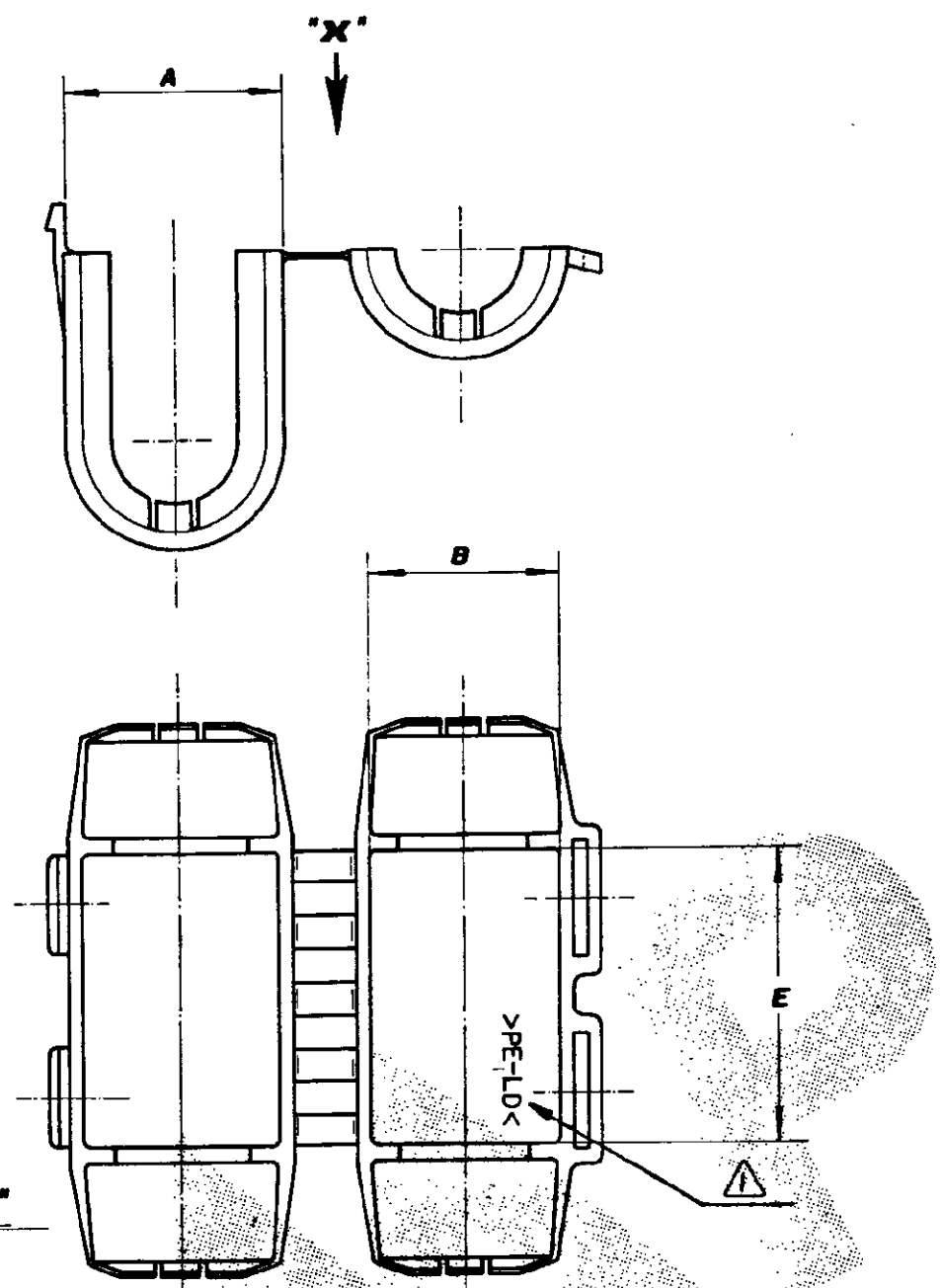
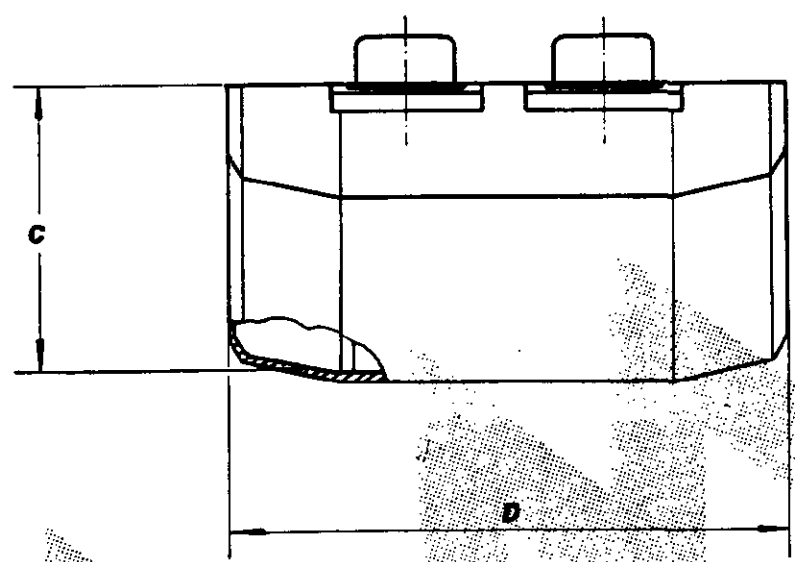


C 881224/225
226



VISTA "X"

APLICAÇÃO C/ U. D. CONNECTOR



NOTA
△ IDENTIFICAÇÃO DE MATERIAL POLÍMERO

22,1	50,8	21,8	10,5	12,6	COR: PRETO	POLIETILENO	881226-1	
24,6	53,3	23,2	14,5	16,5			881225-1	
36,8	65,5	27,8	14,5	16,5			881224-1	
E	D	C	B	A	ACABAMENTO	MATERIAL	PART NUMBER	
CUSTOMER DWG for REFERENCE ONLY					THIS DRAWING IS UNPUBLISHED - RELEASED FOR PUBLICATION			19
					© COPYRIGHT 1985 BY AMP DO BRASIL LTDA S.P. ALL INTERNATIONAL RIGHTS RESERVED AMP PRODUCTS MAY BE COVERED BY U.S. AND FOREIGN PATENTS AND/OR PATENTS PENDING.			
					TOLERANCES UNLESS OTHERWISE STATED	INS. DIA RANGE	WIRE RANGE	SCALE
					DEC. ± 0,5			
					ANGLES ± 1°	AMP do BRASIL LTDA. São Paulo, Brasil		
						DESCRIPTION U. D. CONNECTOR - COVER - (AMPACTINHO)		
						DWG NO	881224/225	SHEET
						A3	C	01 OF 01
							226	
ISS	REVISION	RECORD	DR	CHK	DATE	APP		

G	REVISADO ECH	17-04-86
F	REVISADO PLS	18-04-86
E	REVISADO PLS	07-05-86
D	MODIF. DIM. DO ITEM E	06-07-86
C	MODIF. DIM. DO ITEM C	08-07-86
B	ERA PMS-29397/398/399	07-08-86
A	MODIF. DIM. DOS ITENS E, D	09-10-85