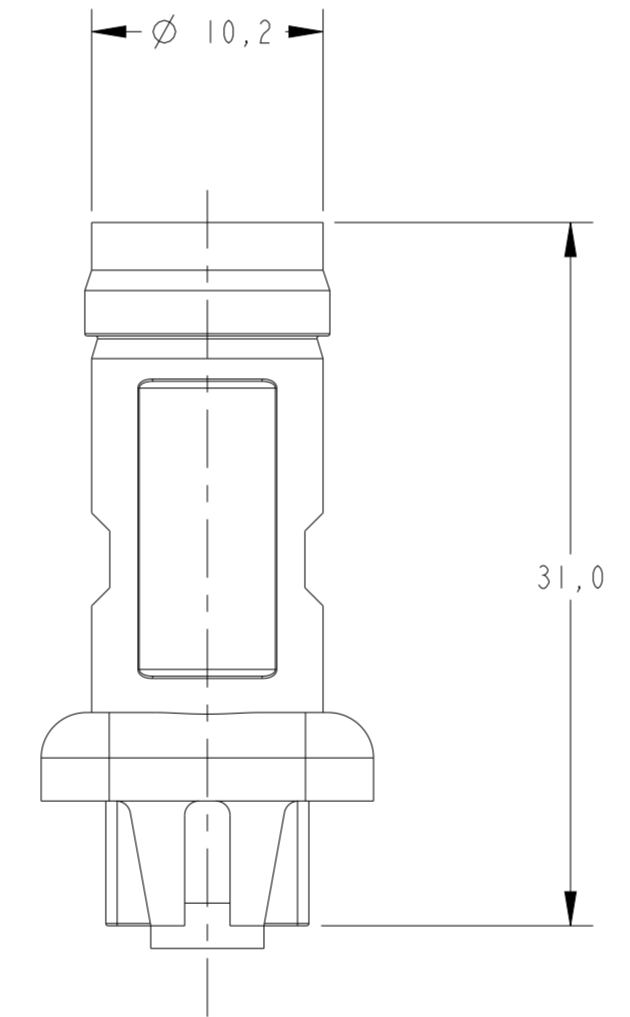
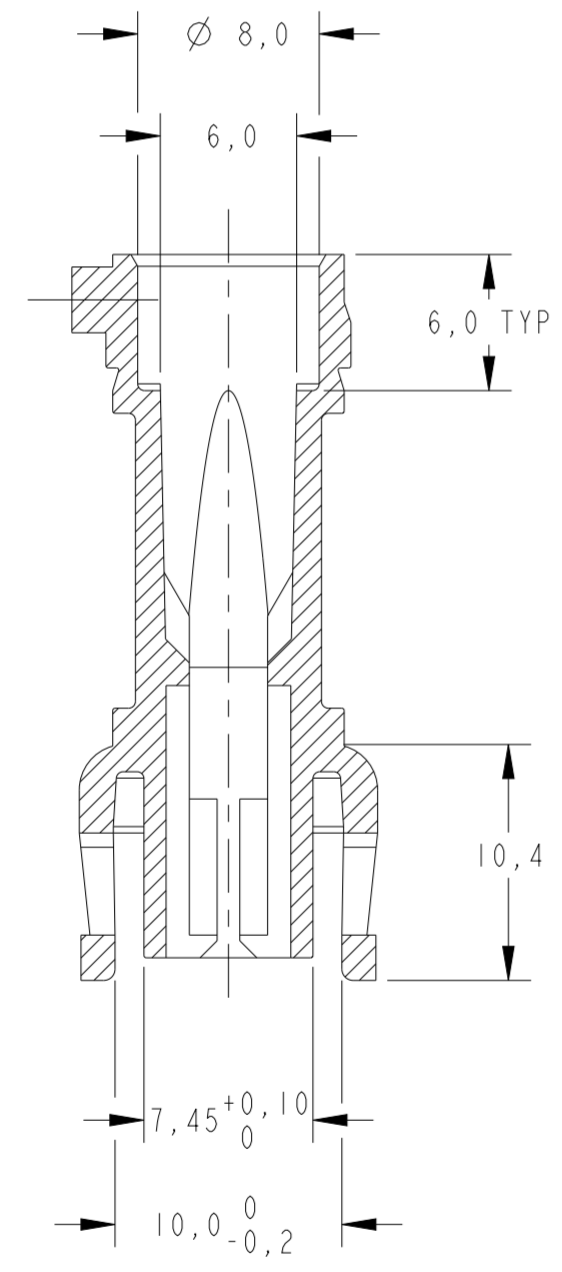
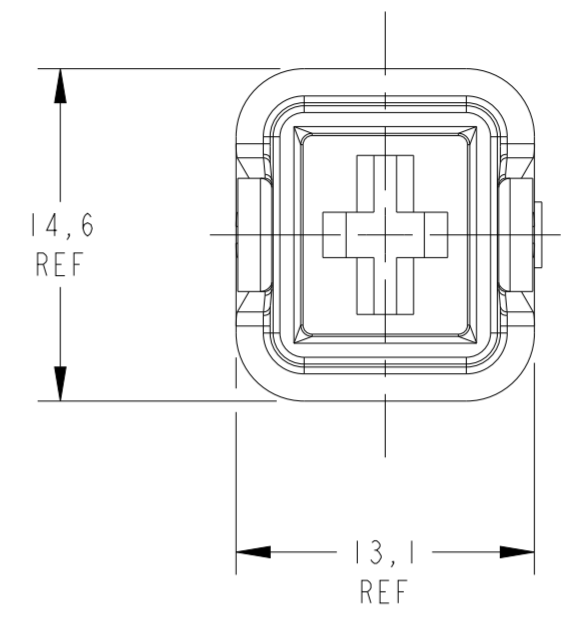
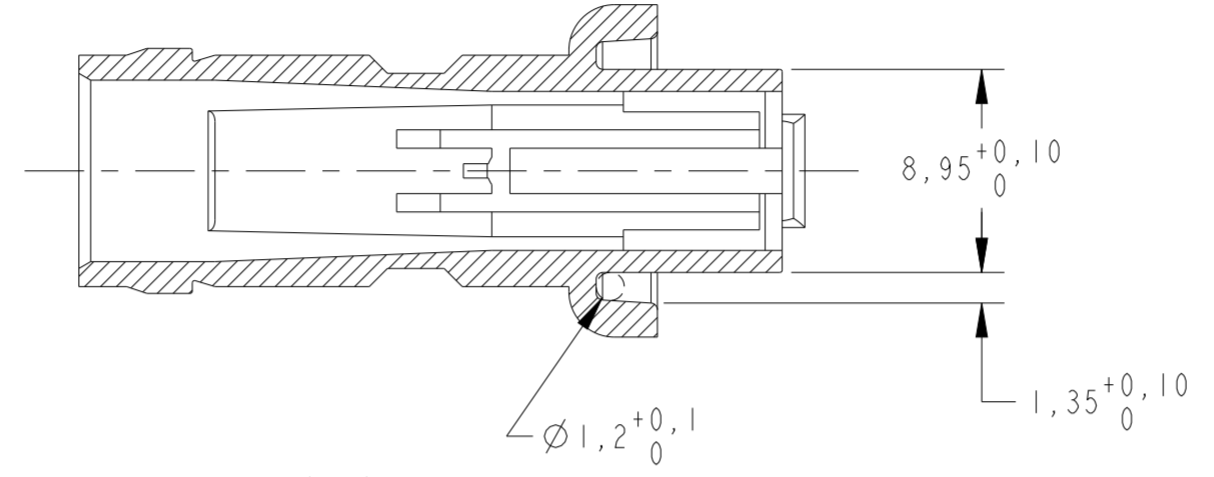
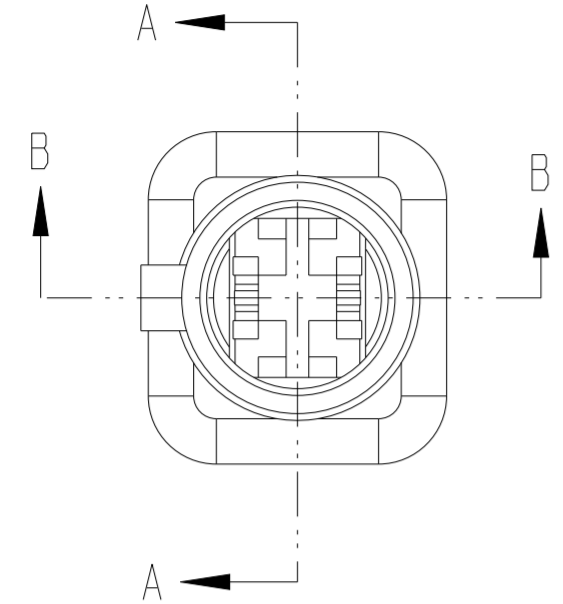


THIS DRAWING IS UNPUBLISHED. RELEASED FOR PUBLICATION 20
 © COPYRIGHT 20 BY - ALL RIGHTS RESERVED.

creo
 Creo Parametric 2.0
DO NOT REVISE EXCEPT BY CAD

REVISIONS				
P	LTR	DESCRIPTION	DATE	APVD
D2		REVISED PER ECN-22-166554	20OCT2022	AP AB

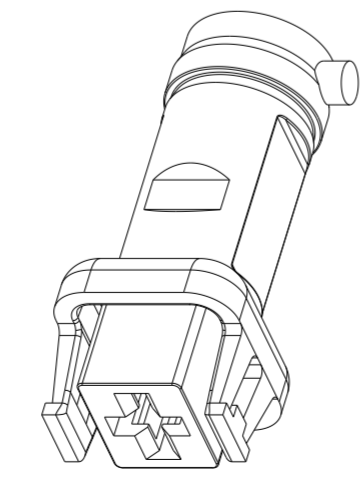


GRAVAÇÃO MARKING
LOGOTIPO TE
TE LOGO
CÓDIGO PAÍS PRODUTOR
MANUFACTURER COUNTRY CODE
NOMENCLATURA MATERIAL
MATERIAL NOMENCLATURE
NÚMERO COMPONENTE TE
TE COMPONENT NUMBER
NÚMERO CAVIDADE
CAVITY NUMBER
PAÍS PRODUTOR
MANUFACTURER COUNTRY

△ - VER DESENHO DE CLIENTE RESTRITO VOLKSWAGEN 881206-VW
 - SEE VOLKSWAGEN RESTRICTED CUSTOMER DRAWING

OBSOLETE	PRETO / BLACK	P.A 6.6	↑	-9
	---	---	↑	-8
	---	---	↑	-7
	---	---	↑	-6
	---	---	↑	-5
	---	---	↑	-4
	---	---	↑	-3
	---	---	↑	-2
	---	---	↑	-881206
FINISH	MATERIAL	PART NUMBER		

SECTION B-B



PERSPECTIVE VIEW
 SCALE 2:1

THIS DRAWING IS A CONTROLLED DOCUMENT.		DWN N.C.LAPRESA 13MAY96	STE TE Connectivity	
DIMENSIONS: mm		CHK J.R.GOLDSCHMIDT 04JUN96		
TOLERANCES UNLESS OTHERWISE SPECIFIED:		APVD H.VASCONCELLOS 04JUN96	NAME HOUSING, 1 POSITION, STANDARD POWER TIMER	
0 PLC ±	1 PLC ±0.3	PRODUCT SPEC -	SIZE A2	RESTRICTED TO -
2 PLC ±	3 PLC ±	APPLICATION SPEC -	CAGE CODE -	DRAWING NO C-881206
4 PLC ±	ANGLES ±°	WEIGHT -	SCALE 3:1	SHEET 1 OF 1
MATERIAL SEE TABLE	FINISH SEE TABLE	CUSTOMER DRAWING	REV D2	