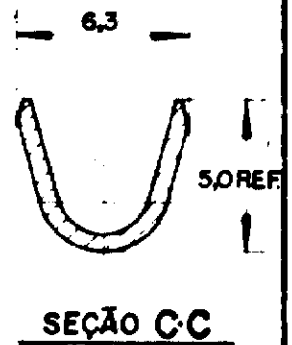
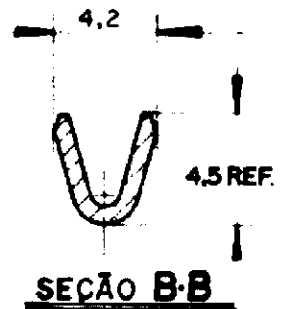
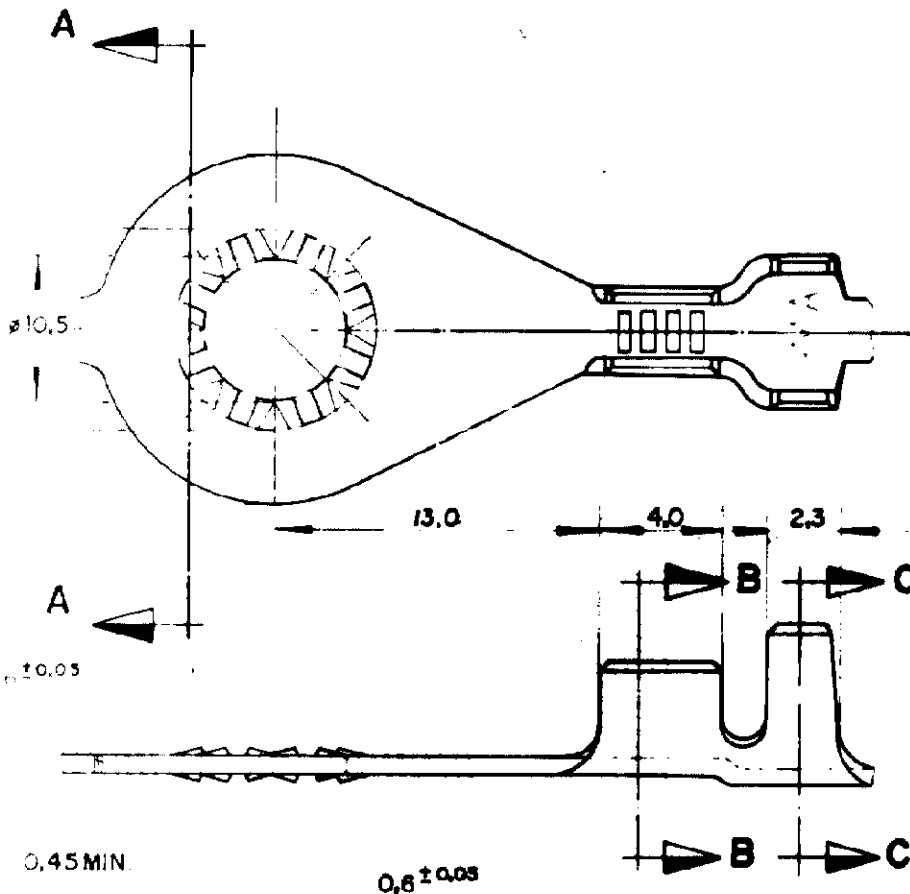


NOT SCALE

DIMENSIONS IN MM.

# METRIC

3rd ANGLE PROJECTION



0.45 MIN

$0.6 \pm 0.05$

0.5 MIN

**SEÇÃO A-A**

0101.08

ESTANHADO

BRONZE FOSFOROSO

- 4

BRONZE FOSFOROSO

- 3

ESTANHADO

LATÃO

- 2

LATÃO

881004-1

FINISH

MATERIAL

PART NUMBER

CUSTOMER DWG  
REFERENCE ONLY

THIS DRAWING IS UNPUBLISHED RELEASED FOR PUBLICATION 19

© COPYRIGHT 1983 BY AMP DO BRASIL LTDA SP. ALL INTERNATIONAL RIGHTS RESERVED. AMP PRODUCTS MAY BE COVERED BY U.S. AND FOREIGN PATENTS AND/OR PATENTS PENDING.

TOLERANCES UNLESS OTHERWISE STATED

INS DIA RANGE  
2.4 - 3.7mm

WIRE RANGE 2  
1.0 - 2.5 mm

SCALE

DEC:  $\pm 0.3$

ANGLES  $\pm 1^\circ$

# AMP

AMP do BRASIL LTDA.  
São Paulo, Brasil

CHK *[Signature]* OCT 24, 83

APP *[Signature]* NOV 29 83

DESCRIPTION

**RING TONGUE ANTIROTATIONAL**

DE

DWG NO

SHEET

APP *[Signature]* JAN 22 85

A 4

C

881004

1 OF 2