

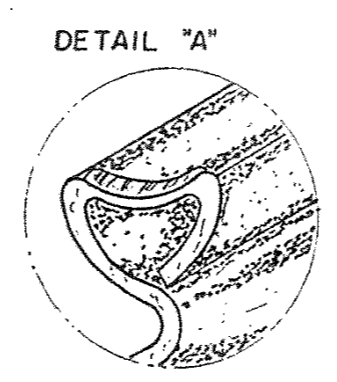
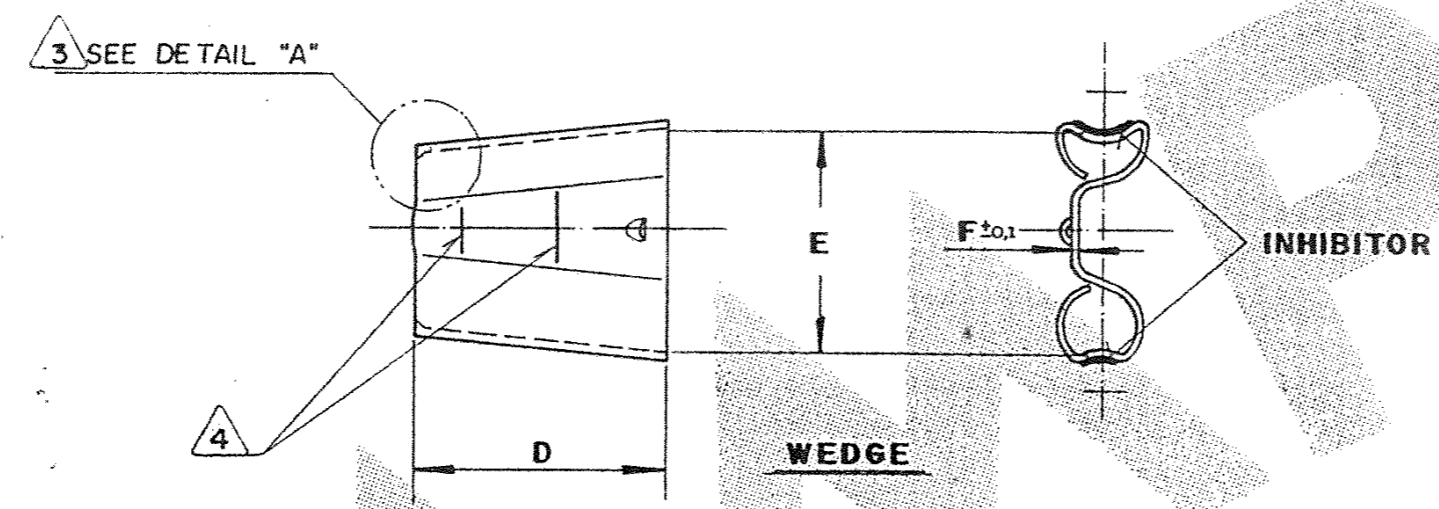
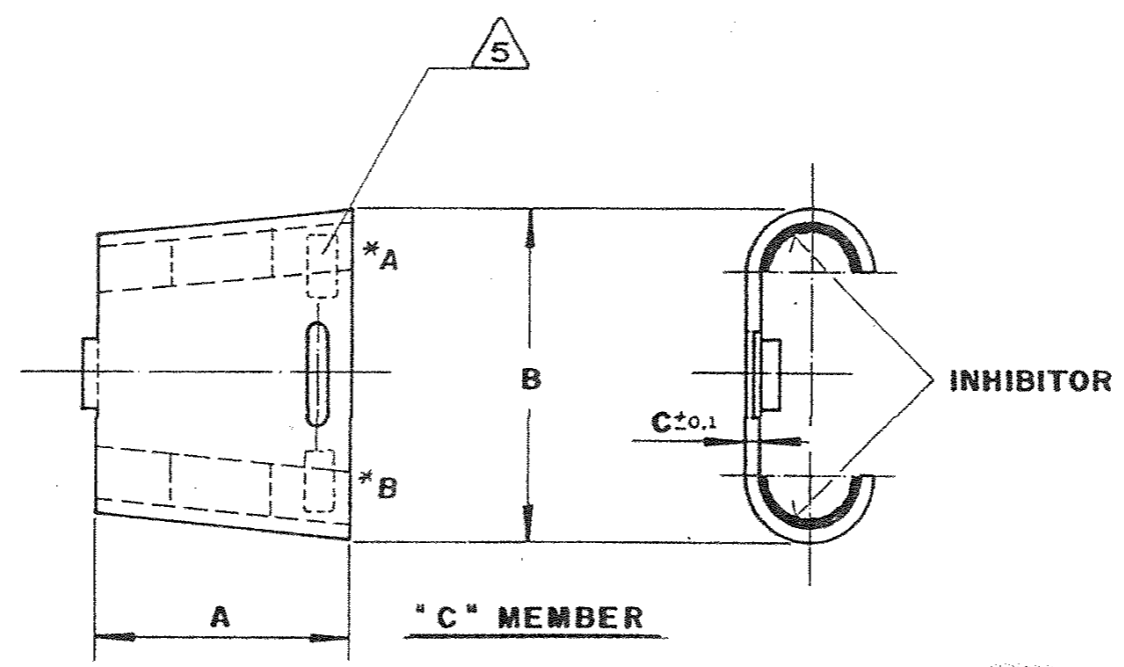
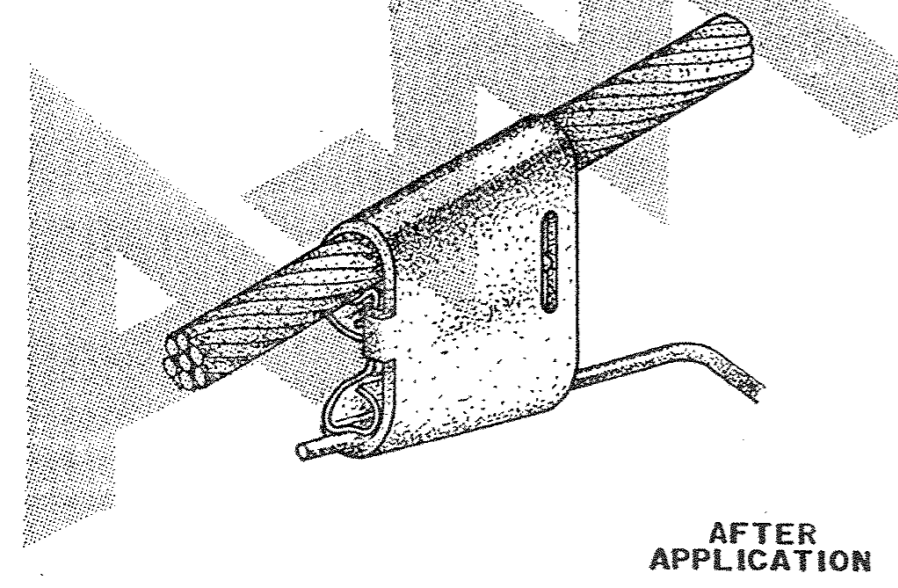
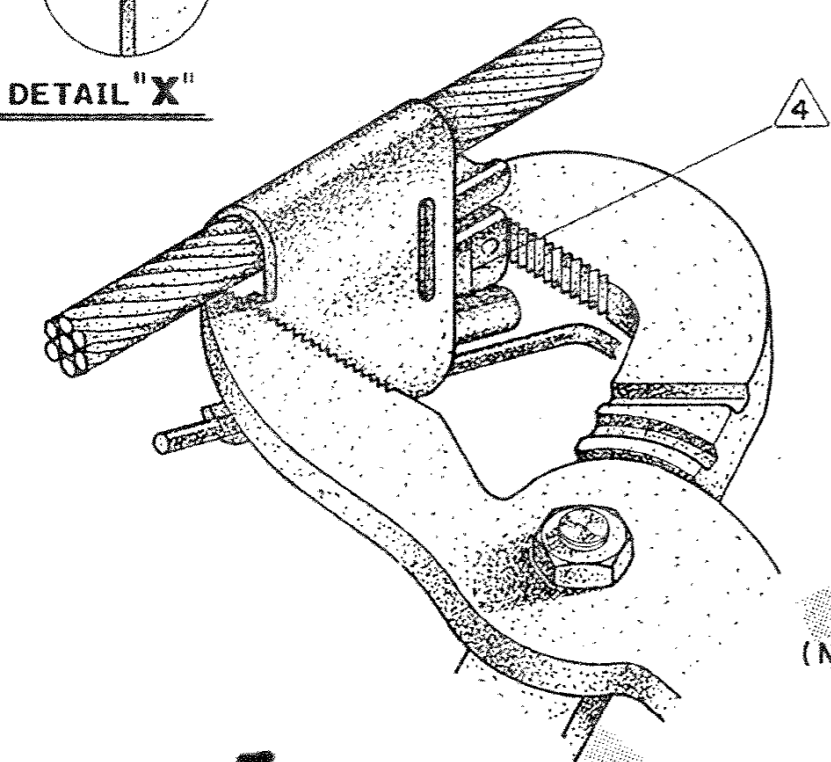
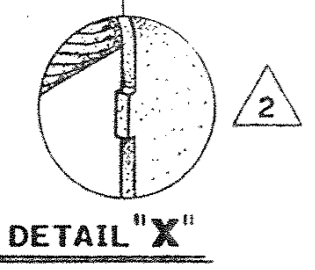
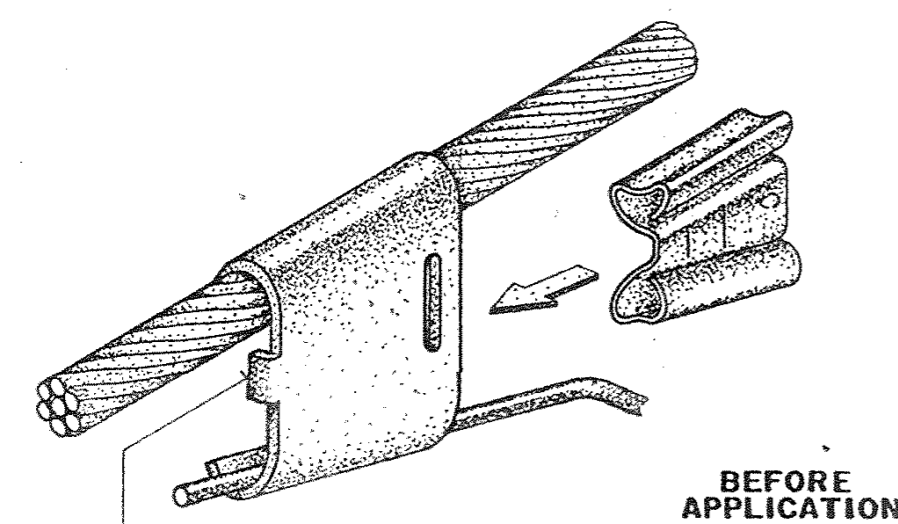
PN	* A mm ²	* B mm ²
880 557	35 STR	16-25 STR/SOL
560	25 STR	10 STR/SOL
563	25 STR	2,5-6 STR/SOL
566	16 STR	1,5-4 STR/SOL
568	10 STR/SOL	1,5-2,5 STR/SOL

DO NOT SCALE
DIMENSIONS IN mm.

METRIC
3rd ANGLE PROJECTION

NOTES:

- 1- SUPPLIED IN INDIVIDUAL PLASTIC PACKAGING.
- 2 FOR PN.880557-1 AND 880560-1. SEE DETAIL "X"
- 3 FOR PN.880557-1 AND 880560-1. SEE DETAIL "A"
- 4 MAX. AND MIN. CONDUCTOR SUM IDENTIFICATION.
- 5 NOMINAL WIRE COMBINATION RANGE, ACC. TO TABLE.
- 6 DAGHES -2 FOR ELEKTRO CUSTOMER ONLY.



SUM	TOP GROOVE	BOTTOM GROOVE	FINISH	MATERIAL	F	E	D	C	B	A	PACKAGING	TYPE	PART NUMBER
6,20 -- 4,70	4,93 -- 2,54	4,65 -- 1,27			0,6	16,3	19,0	1,2	21,7	19,0		V	880560 -1 /-2
7,67 -- 6,21	6,55 -- 2,54	4,65 -- 1,27			0,6	16,3	19,0	1,2	23,2	19,0		IV	880566 -1 /-2
9,50 -- 7,68	6,55 -- 2,54	4,65 -- 1,27			0,6	16,3	19,0	1,2	24,9	19,0		III	880563 -1 /-2
11,18 -- 9,51	8,12 -- 3,17	5,21 -- 3,17			1,0	16,3	19,0	2,1	28,4	19,0		II	880560 -1 /-2
14,01 -- 11,19	8,12 -- 3,17	7,42 -- 3,17	TIN PLATED	BRASS	1,0	18,7	31,7	2,1	32,8	31,7		I	880557 -1 /-2

CUSTOMER DWG FOR REFERENCE ONLY

THIS DRAWING IS UNPUBLISHED | RELEASED FOR PUBLICATION 19

© COPYRIGHT 19 BY AMP DO BRASIL LTDA S.P. ALL INTERNATIONAL RIGHTS RESERVED. AMP PRODUCTS MAY BE COVERED BY U.S. AND FOREIGN PATENTS AND/OR PATENTS PENDING.

TOLERANCES UNLESS OTHERWISE STATED
DEC. ±0,5
ANGLES ±1°

DR. J. A. VIEIRA 29 JUL 96
W. B. L. IN. JR.
CHK. A. M. SORIANO 29 JUL 96

DESCRIPTION: U.D. CONNECTOR (AMPACTINHO)

DWG NO: C 880557/560/563/566/568

SHEET 1 OF 1

ISS	REVISION RECORD	DR	CHK	DATE