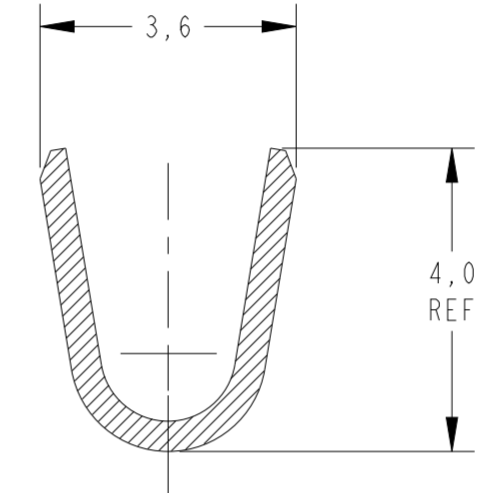
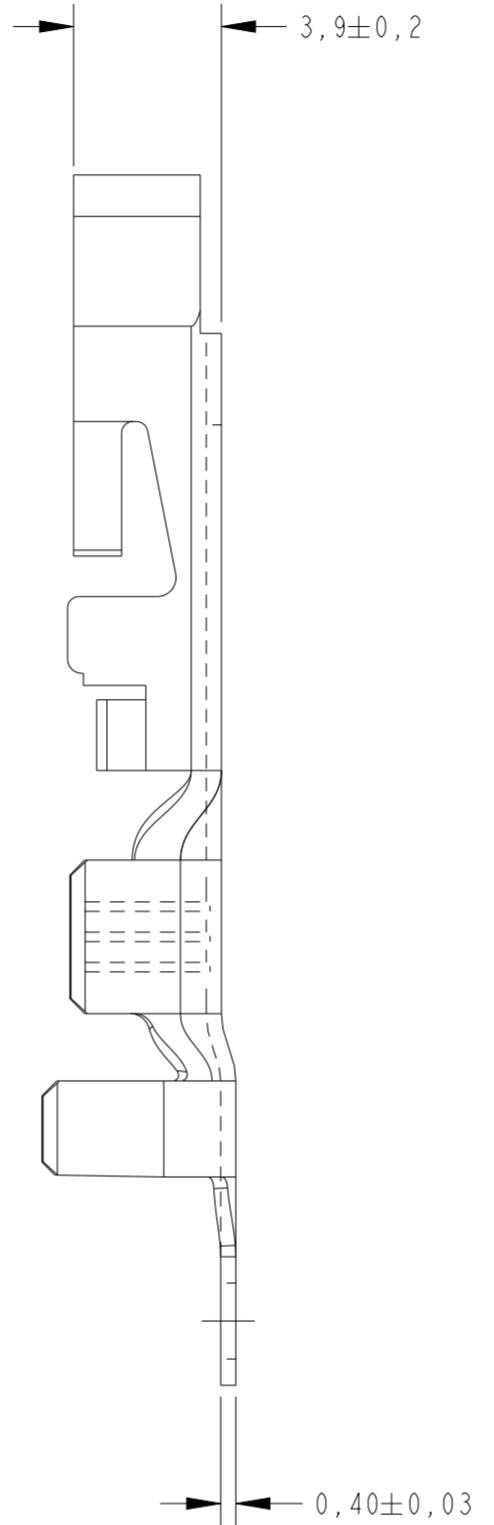
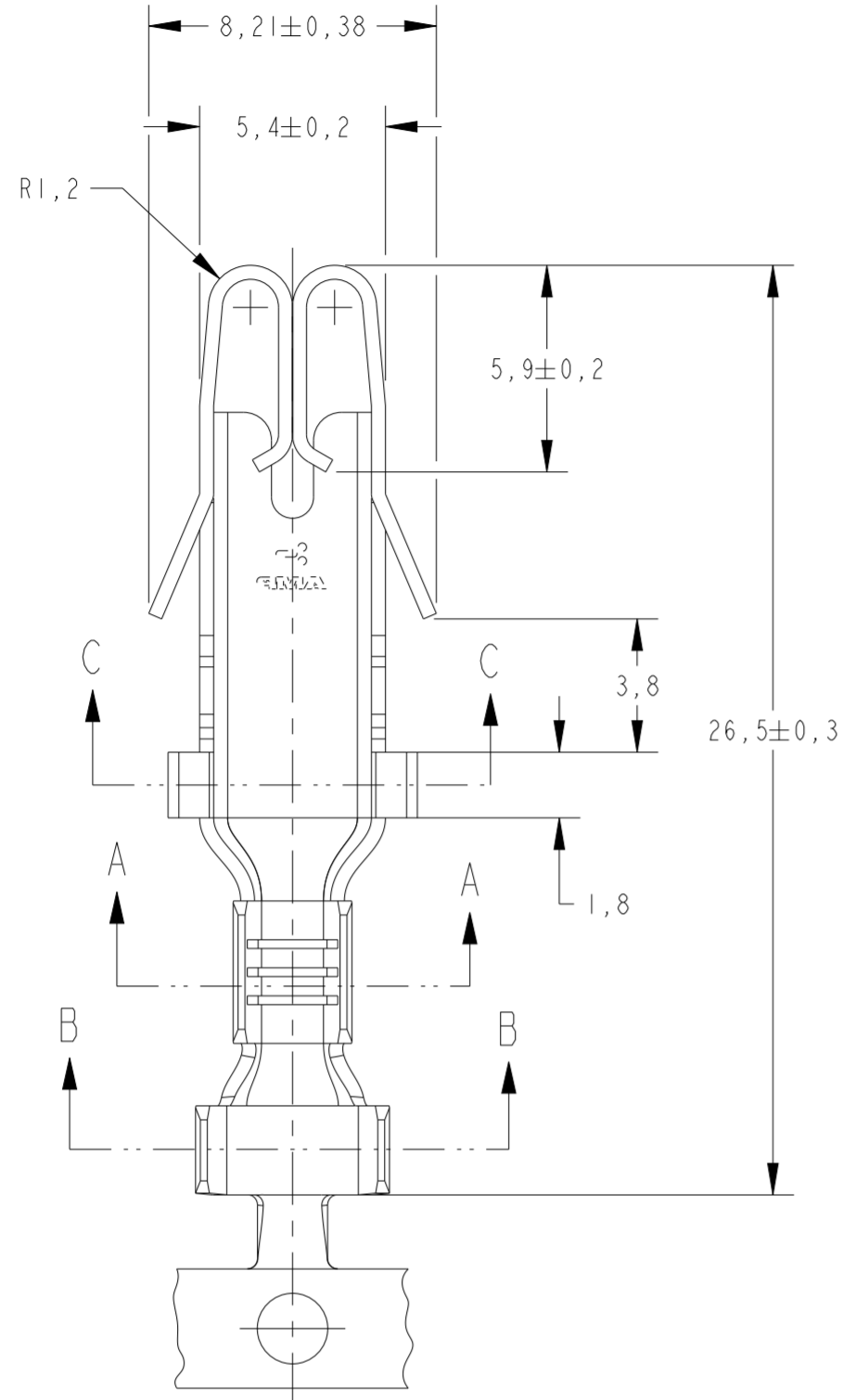


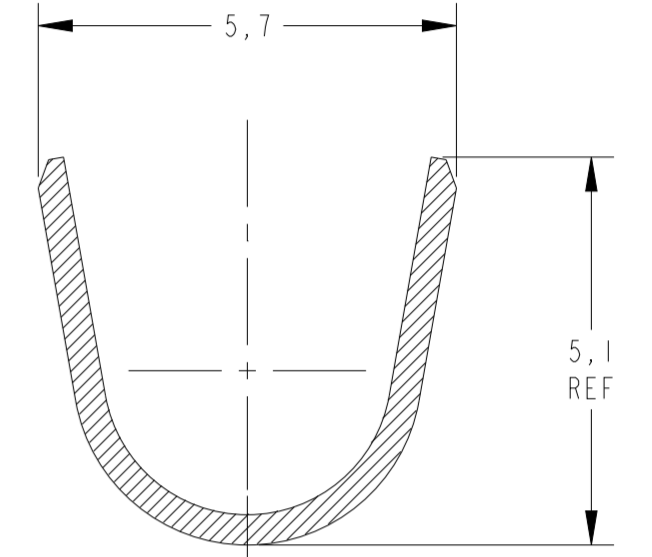
THIS DRAWING IS UNPUBLISHED. RELEASED FOR PUBLICATION 20
 © COPYRIGHT 20 BY - ALL RIGHTS RESERVED.

creo
 Creo Parametric 2.0
DO NOT REVISE
EXCEPT BY CAD

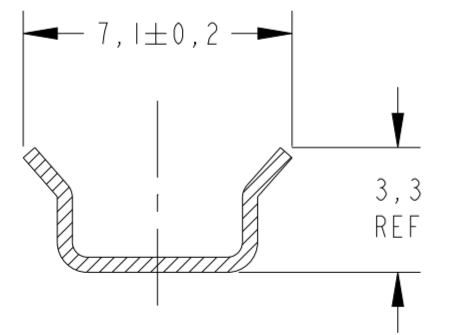
REVISIONS					
P	LTR	DESCRIPTION	DATE	DWN	APVD
K		REDRAW BY CAD ECO-14-013531	08SEP2014	NCL	LWP
L		REVISED DRAWING ECO-14-019222	27APR2015	NCL	GOJ
LI		REVISION PER ECN-22-144268	13JUN2022	AP	MT



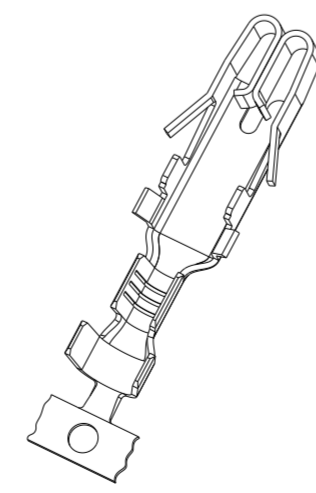
SECTION A-A
 SCALE 10:1



SECTION B-B
 SCALE 10:1



SECTION C-C



PERSPECTIVE VIEW
 SCALE 2:1

OBSOLETE	WIRE RANGE >1,0-2,5mm ²	PRE-ESTANHADO / PRE TINNED	LATÃO / BRASS	880398-2																
	INSUL RANGE ∅ 2,3-3,5mm	FINISH	LATÃO / BRASS	880398-1																
THIS DRAWING IS A CONTROLLED DOCUMENT.		DWN NCLAPRESA 15 JAN 2013	TE Connectivity FUSE CONTACT																	
DIMENSIONS: mm		CHK JRGOLDSCHMIDT 15 JAN 2013																		
TOLERANCES UNLESS OTHERWISE SPECIFIED:		APVD DAOLIVEIRA 15 JAN 2013																		
<table border="0"> <tr> <td>0 PLC</td><td>±</td></tr> <tr> <td>1 PLC</td><td>±0,5</td></tr> <tr> <td>2 PLC</td><td>±</td></tr> <tr> <td>3 PLC</td><td>±</td></tr> <tr> <td>4 PLC</td><td>±</td></tr> <tr> <td>ANGLES</td><td>±1°</td></tr> <tr> <td>FINISH</td><td></td></tr> </table>		0 PLC	±	1 PLC	±0,5	2 PLC	±	3 PLC	±	4 PLC	±	ANGLES	±1°	FINISH		NAME	SIZE	CAGE CODE	DRAWING NO	RESTRICTED TO
0 PLC	±																			
1 PLC	±0,5																			
2 PLC	±																			
3 PLC	±																			
4 PLC	±																			
ANGLES	±1°																			
FINISH																				
MATERIAL SEE TABLE	FINISH SEE TABLE	PRODUCT SPEC	A2	00779	C-880398	-														
		APPLICATION SPEC	Customer Drawing		SCALE 3:1	SHEET OF REV LI														