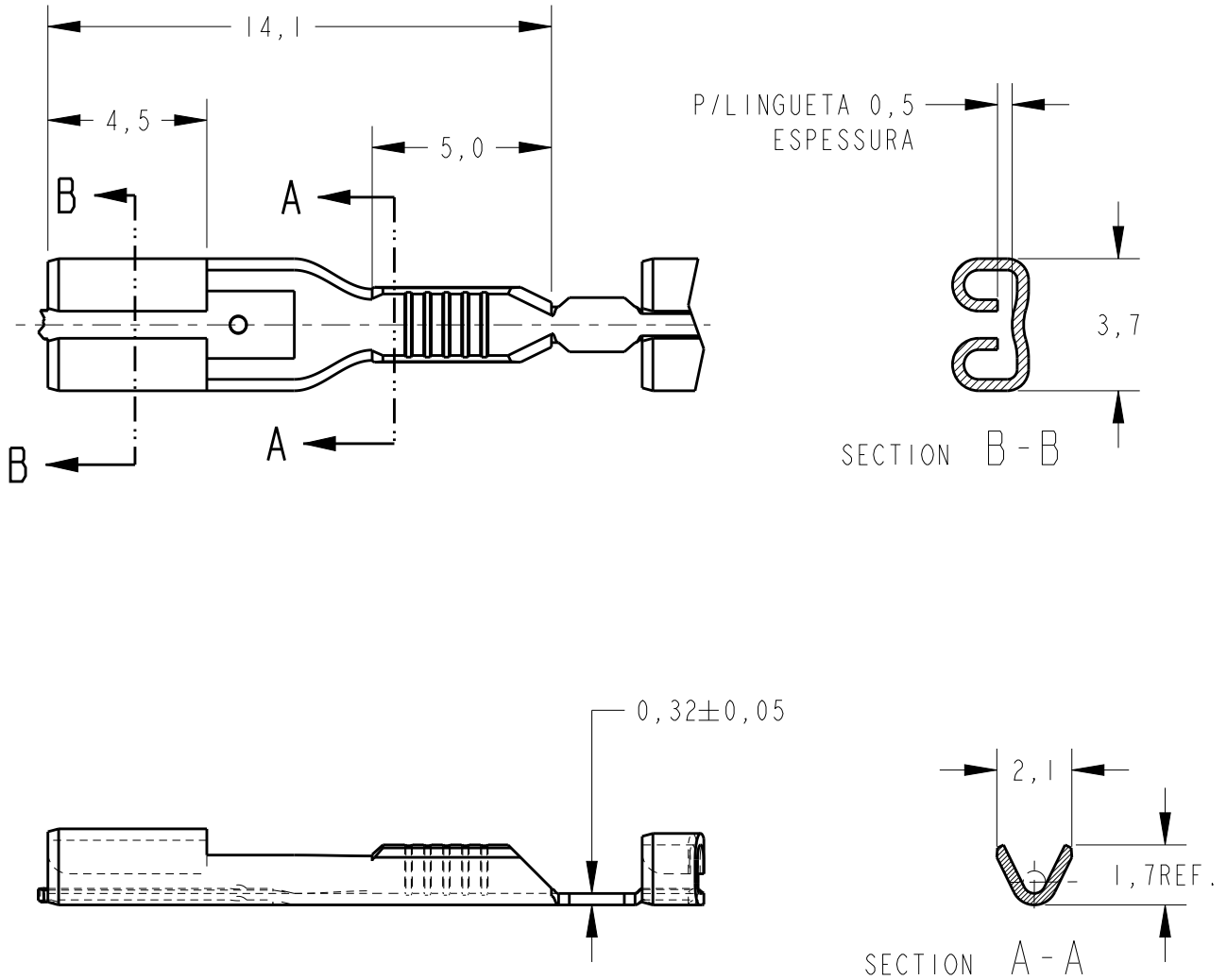


LOC	DIST	REVISIONS					
		P	LTR	DESCRIPTION	DATE	DWN	APVD
-	-		D	REDRAWN AND REVISED ECO 15-011157	12AUG2015	HC	WLS
			DI	REVISED BY ECO 16-003723	29JUN2016	HC	WLS



RELEASED FOR PUBLICATION

ALL RIGHTS RESERVED.

THIS DRAWING IS UNPUBLISHED.

© COPYRIGHT copyright - d8Ye -

WIRE RANGE  
25-29 AWG

<b>OBSOLETE</b>	TIN PLATED	BRASS	880009-2
	—	BRASS	880009-1
	FINISH	MATERIAL	PART NUMBER

DIMENSIONS: mm	
TOLERANCES UNLESS OTHERWISE SPECIFIED:	
0 PLC	±-
1 PLC	±0,3
2 PLC	±-
3 PLC	±-
4 PLC	±-
ANGLES	±1°

DWN H.C. CANTERI	25JUN2015
CHK W.L. STEFANI	25JUN2015
APVD -	-
PRODUCT SPEC -	-
APPLICATION SPEC -	-
WEIGHT -	-

MATERIAL	-	FINISH	-
TE Connectivity			
NAME .110 FASTON AMPLIVAR			
SIZE	CAGE CODE	DRAWING NO	RESTRICTED TO
A4	-	C-880009	-
Customer Drawing		SCALE 5:1	SHEET 1 OF 1 REV D1