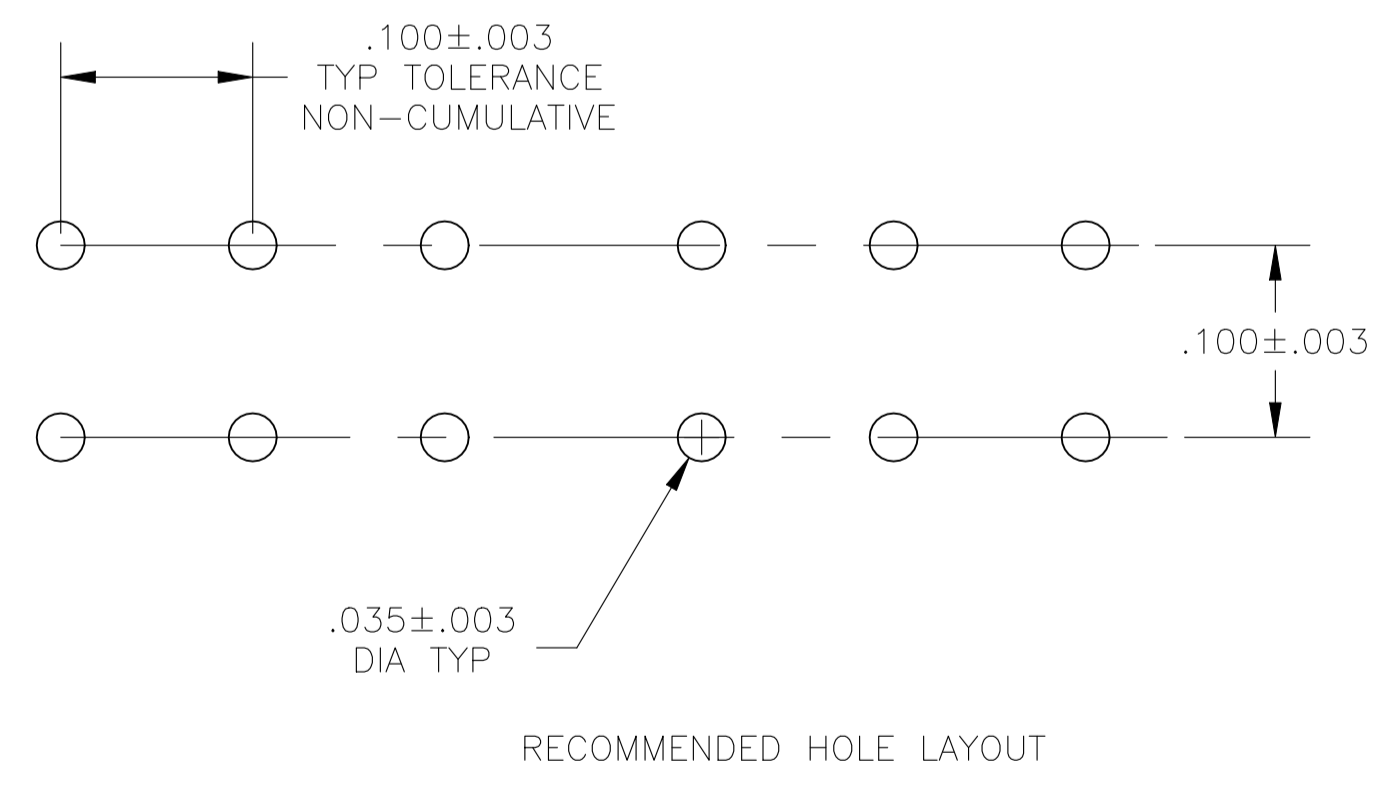
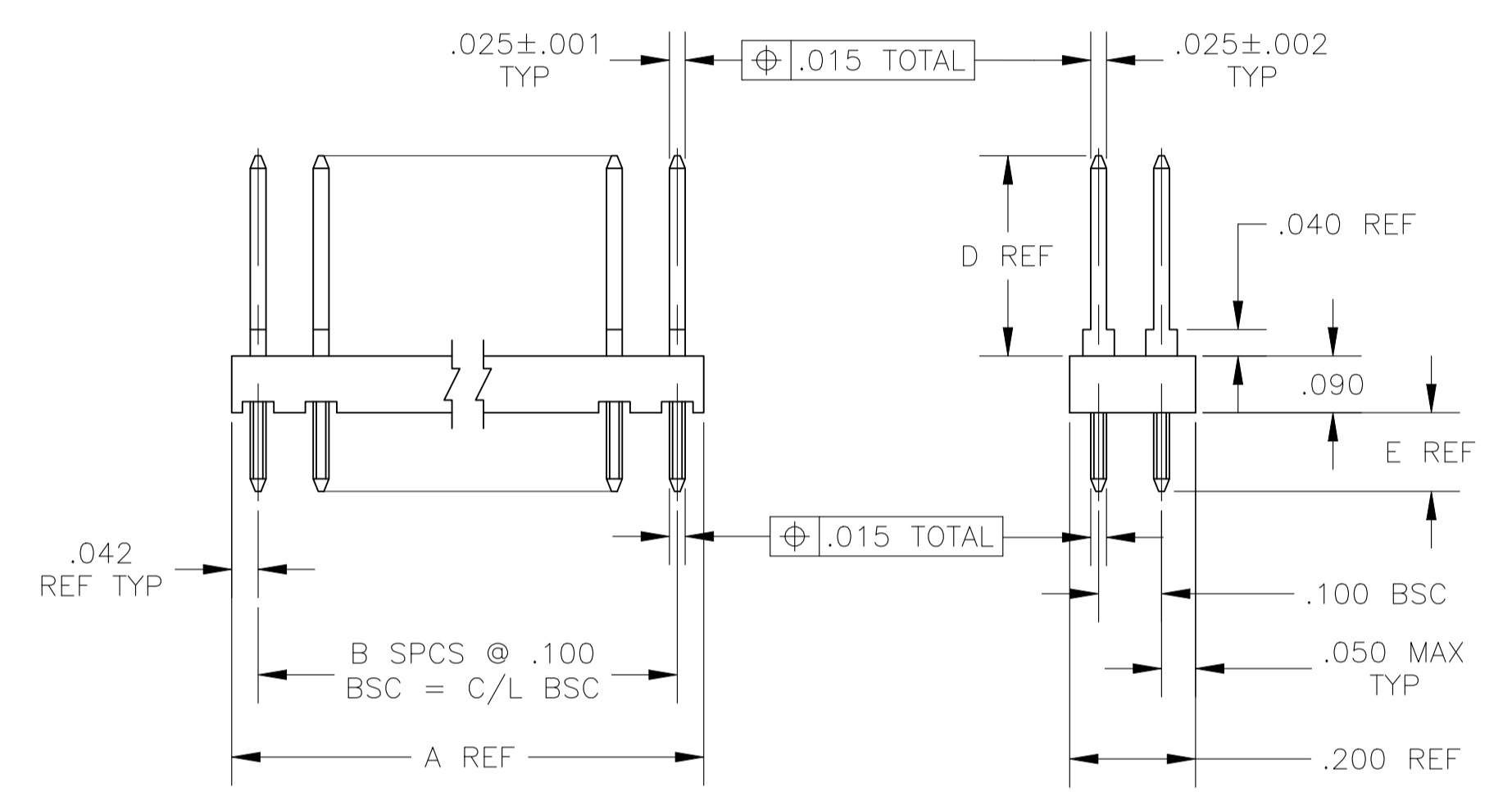


REVISIONS					
P	LTR	DESCRIPTION	DATE	DWN	APVD
J1	REVISED PER	ECN-23-225110	08AUG2023	RK	MF

NOTES:
 1. TRUE POSITION TOLERANCE OF POST TIPS APPLIES WHEN HEADERS ARE HELD FLAT AGAINST PRINTED CIRCUIT BOARD.

- 2 OBSOLETE PART NUMBER
- 3 .000100-.000200 BRIGHT TIN OVER .000050-.000100 NICKEL.
- 4 .000100-.000200 BRIGHT TIN-LEAD OVER .000050-.000100 NICKEL.
- 5 PRELIMINARY PART
- 6 .000100-.000200 MATTE TIN OVER .000050 NICKEL.



SEE SHEET 2 FOR LEAD FREE PART NUMBERS

FINISH	E	D	C	B	A	NO OF POSN	PART NUMBER	
2	3	.125	.318	.500	5	.584	12	4-87543-3
2	3	.125	.318	4.100	41	4.184	80	4-87543-2
2	3	.125	.318	4.000	40	4.084	80	4-87543-1
2	3	.125	.318	3.900	39	3.984	80	4-87543-0
		.125	.318	3.800	38	3.884	78	3-87543-9
		.125	.318	3.700	37	3.784	76	3-87543-8
		.125	.318	3.600	36	3.684	74	3-87543-7
		.125	.318	3.500	35	3.584	72	3-87543-6
		.125	.318	3.400	34	3.484	70	3-87543-5
		.125	.318	3.300	33	3.384	68	3-87543-4
		.125	.318	3.200	32	3.284	66	3-87543-3
		.125	.318	3.100	31	3.184	64	3-87543-2
		.125	.318	3.000	30	3.084	62	3-87543-1
		.125	.318	2.900	29	2.984	60	3-87543-0
		.125	.318	2.800	28	2.884	58	2-87543-9
		.125	.318	2.700	27	2.784	56	2-87543-8
		.125	.318	2.600	26	2.684	54	2-87543-7
		.125	.318	2.500	25	2.584	52	2-87543-6
		.125	.318	2.400	24	2.484	50	2-87543-5
		.125	.318	2.300	23	2.384	48	2-87543-4
		.125	.318	2.200	22	2.284	46	2-87543-3
		.125	.318	2.100	21	2.184	44	2-87543-2
		.125	.318	2.000	20	2.084	42	2-87543-1
2		.125	.318	1.900	19	1.984	40	2-87543-0
		.125	.318	1.800	18	1.884	38	1-87543-9
		.125	.318	1.700	17	1.784	36	1-87543-8
		.125	.318	1.600	16	1.684	34	1-87543-7
		.125	.318	1.500	15	1.584	32	1-87543-6
		.125	.318	1.400	14	1.484	30	1-87543-5
		.125	.318	1.300	13	1.384	28	1-87543-4
		.125	.318	1.200	12	1.284	26	1-87543-3
		.125	.318	1.100	11	1.184	24	1-87543-2
		.125	.318	1.000	10	1.084	22	1-87543-1
		.125	.318	.900	9	.984	20	1-87543-0
		.125	.318	.800	8	.884	18	87543-9
		.125	.318	.700	7	.784	16	87543-8
		.125	.318	.600	6	.684	14	87543-7
		.125	.318	.500	5	.584	12	87543-6
		.125	.318	.400	4	.484	10	87543-5
		.125	.318	.300	3	.384	8	87543-4
		.125	.318	.200	2	.284	6	87543-3
		.125	.318	.100	1	.184	4	87543-2
		.125	.318	-	-	.084	2	87543-1

FINISH	E	D	C	B	A	NO OF POSN	PART NUMBER
THIS DRAWING IS A CONTROLLED DOCUMENT.							
DIMENSIONS: INCHES		TOLERANCES UNLESS OTHERWISE SPECIFIED:		DIN M.E.PASTEL 20 NOV 87		TE Connectivity Ltd.	
0 PLC ± -		1 PLC ± -		CHK T.C. CLARK 20 NOV 87		NAME ASSEMBLY, MOD II, HEADER, DOUBLE ROW, .100X.100	
2 PLC ± -		3 PLC ± .005		APVD T.C. CLARK 20 NOV 87		PRODUCT SPEC	
4 PLC ± -		ANGLES ± -		APPLICATION SPEC		SIZE CAGE CODE DRAWING NO	
MATERIAL: POS-UP COLOR: BRONZE CONTACT: PHOS BRONZE		FINISH: SEE TABLE		WEIGHT: -		A1 00779 C=87543	
CUSTOMER DRAWING				SCALE: 4:1		SHEET 1 OF 2 REV J1	

REVISIONS					
P	LTR	DESCRIPTION	DATE	DWN	APVD
-		SEE SHEET 1	-	-	-

△								
△	.125	.318	3.900	39	3.984	80	9-87543-0	
	.125	.318	3.800	38	3.884	78	8-87543-9	
	.125	.318	3.700	37	3.784	76	8-87543-8	
	.125	.318	3.600	36	3.684	74	8-87543-7	
	.125	.318	3.500	35	3.584	72	8-87543-6	
	.125	.318	3.400	34	3.484	70	8-87543-5	
	.125	.318	3.300	33	3.384	68	8-87543-4	
	.125	.318	3.200	32	3.284	66	8-87543-3	
	.125	.318	3.100	31	3.184	64	8-87543-2	
	.125	.318	3.000	30	3.084	62	8-87543-1	
	.125	.318	2.900	29	2.984	60	8-87543-0	
	.125	.318	2.800	28	2.884	58	7-87543-9	
	.125	.318	2.700	27	2.784	56	7-87543-8	
	.125	.318	2.600	26	2.684	54	7-87543-7	
	.125	.318	2.500	25	2.584	52	7-87543-6	
	.125	.318	2.400	24	2.484	50	7-87543-5	
	.125	.318	2.300	23	2.384	48	7-87543-4	
	.125	.318	2.200	22	2.284	46	7-87543-3	
	.125	.318	2.100	21	2.184	44	7-87543-2	
	.125	.318	2.000	20	2.084	42	7-87543-1	
	.125	.318	1.900	19	1.984	40	7-87543-0	
	.125	.318	1.800	18	1.884	38	6-87543-9	
	.125	.318	1.700	17	1.784	36	6-87543-8	
	.125	.318	1.600	16	1.684	34	6-87543-7	
	.125	.318	1.500	15	1.584	32	6-87543-6	
	.125	.318	1.400	14	1.484	30	6-87543-5	
	.125	.318	1.300	13	1.384	28	6-87543-4	
	.125	.318	1.200	12	1.284	26	6-87543-3	
	.125	.318	1.100	11	1.184	24	6-87543-2	
	.125	.318	1.000	10	1.084	22	6-87543-1	
	.125	.318	.900	9	.984	20	6-87543-0	
	.125	.318	.800	8	.884	18	5-87543-9	
	.125	.318	.700	7	.784	16	5-87543-8	
	.125	.318	.600	6	.684	14	5-87543-7	
	.125	.318	.500	5	.584	12	5-87543-6	
	.125	.318	.400	4	.484	10	5-87543-5	
	.125	.318	.300	3	.384	8	5-87543-4	
	.125	.318	.200	2	.284	6	5-87543-3	
	.125	.318	.100	1	.184	4	5-87543-2	
△	.125	.318	-	-	.084	2	5-87543-1	

FINISH	E	D	C	B	A	NO OF POSN	PART NUMBER																														
THIS DRAWING IS A CONTROLLED DOCUMENT.																																					
DIMENSIONS: INCHES		TOLERANCES UNLESS OTHERWISE SPECIFIED:		DIN M.E.PASTEL 20 NOV 87		TE Connectivity Ltd.																															
<table border="1"> <tr><td>0. PLC</td><td>± .005</td></tr> <tr><td>1. PLC</td><td>± .005</td></tr> <tr><td>2. PLC</td><td>± .005</td></tr> <tr><td>3. PLC</td><td>± .005</td></tr> <tr><td>4. PLC</td><td>± .005</td></tr> <tr><td>ANGLES</td><td>± .005</td></tr> </table>		0. PLC	± .005	1. PLC	± .005	2. PLC	± .005	3. PLC	± .005	4. PLC	± .005	ANGLES	± .005	<table border="1"> <tr><td>CHK</td><td>T.C. CLARK</td><td>20 NOV 87</td></tr> <tr><td>APVD</td><td>T.C. CLARK</td><td>20 NOV 87</td></tr> <tr><td>NAME</td><td colspan="2">ASSEMBLY, MOD II, HEADER, DOUBLE ROW, .100X.100</td></tr> <tr><td>PRODUCT SPEC</td><td colspan="2">APPLICATION SPEC</td></tr> <tr><td>SIZE</td><td>CAGE CODE</td><td>DRAWING NO</td></tr> <tr><td>A1</td><td>00779</td><td>87543</td></tr> </table>		CHK	T.C. CLARK	20 NOV 87	APVD	T.C. CLARK	20 NOV 87	NAME	ASSEMBLY, MOD II, HEADER, DOUBLE ROW, .100X.100		PRODUCT SPEC	APPLICATION SPEC		SIZE	CAGE CODE	DRAWING NO	A1	00779	87543	RESTRICTED TO		CUSTOMER DRAWING	
0. PLC	± .005																																				
1. PLC	± .005																																				
2. PLC	± .005																																				
3. PLC	± .005																																				
4. PLC	± .005																																				
ANGLES	± .005																																				
CHK	T.C. CLARK	20 NOV 87																																			
APVD	T.C. CLARK	20 NOV 87																																			
NAME	ASSEMBLY, MOD II, HEADER, DOUBLE ROW, .100X.100																																				
PRODUCT SPEC	APPLICATION SPEC																																				
SIZE	CAGE CODE	DRAWING NO																																			
A1	00779	87543																																			
MATERIAL: POS-UP COLOR: BLACK CONTACT: PHOS BRONZE		FINISH: SEE TABLE		WEIGHT: --		SCALE: 4:1 SHEET 2 OF 2 REV J1																															