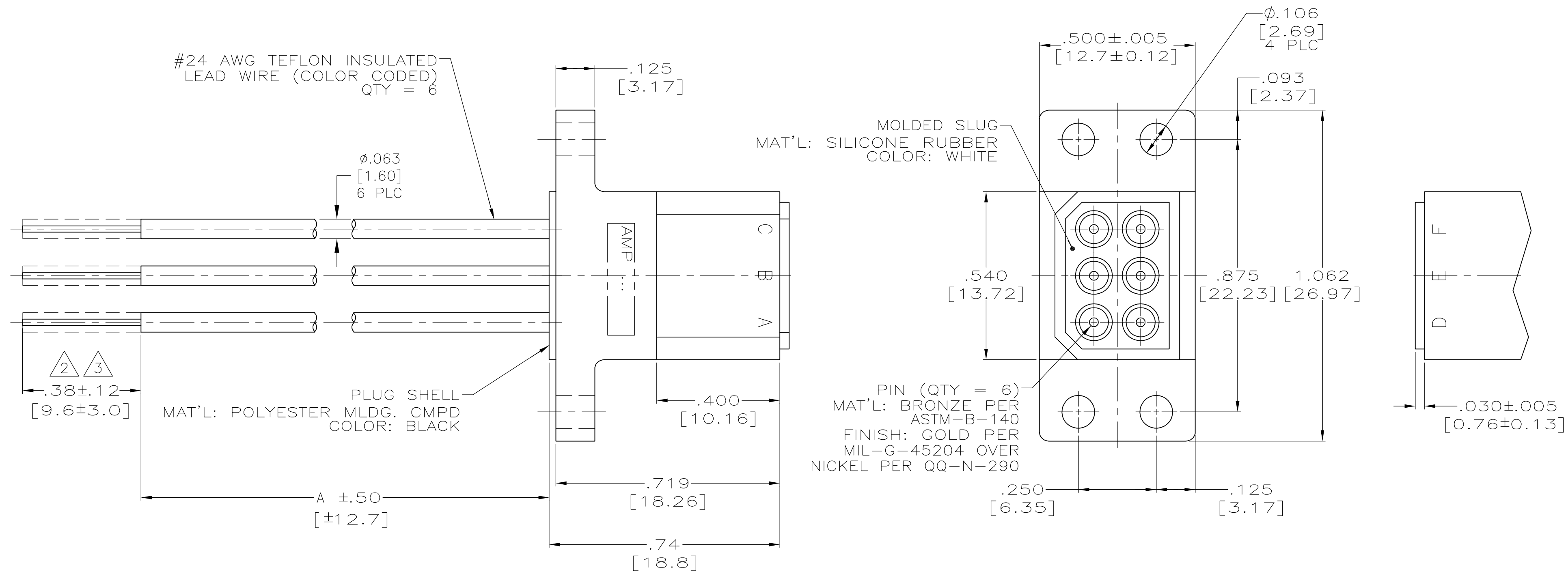


THIS DRAWING IS UNPUBLISHED. RELEASED FOR PUBLICATION  
 © COPYRIGHT BY TYCO ELECTRONICS CORPORATION. ALL RIGHTS RESERVED.

LOC	DIST	REVISIONS					
DF	S0	P	LTR	DESCRIPTION	DATE	DWN	APVD
		E		REV PER ECO-05-011907	15MAY06	PY	DE



- 1. LETTERS & AMP INFO. MARKED PER MIL-STD-130.
- 2. PIGTAILS ARE SOLDER DIPPED.
- 3. INSULATION CUT BUT NOT REMOVED

A	BROWN
B	RED
C	GREEN
D	BLUE
E	BLACK
F	WHITE

SCHMATIC

REMARKS	A DIM	PART NO.
	36.00 [914.4]	5-867464-3
	36.00 [914.4]	867464-3
OBSOLETE	24.00 [609.6]	867464-2
	12.00 [304.8]	867464-1

THIS DRAWING IS A CONTROLLED DOCUMENT.

DWN	C.C.THOMAS	9-18-91
CHK	S.GLADFELTER	9-23-91
APVD	-	-
PRODUCT SPEC	-	-
APPLICATION SPEC	-	-
WEIGHT	-	-
CUSTOMER DRAWING	SCALE 4:1	SHEET 1 OF 1

tyco Electronics Tyco Electronics Corporation Harrisburg, Pa 17105-3608

PLUG ASSY, 6 POSN WITH FLYING LEADS, LGH

SIZE A2 CAGE CODE 00779 DRAWING NO C=867464 RESTRICTED TO -