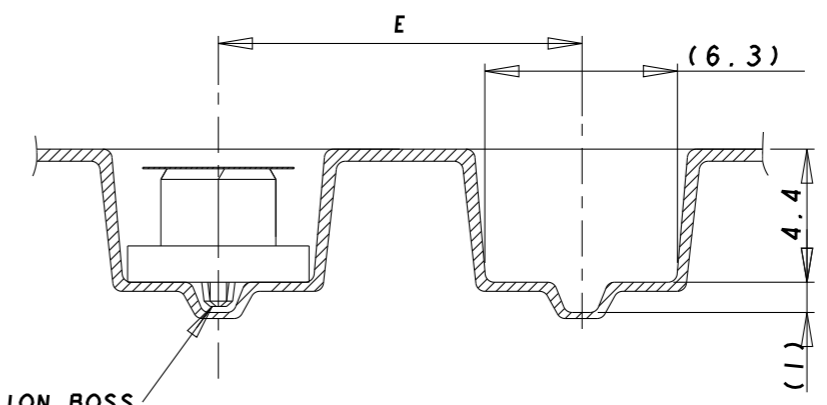
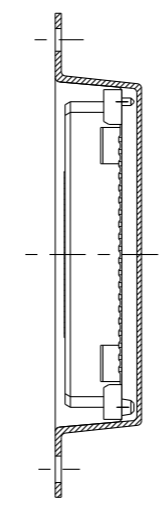
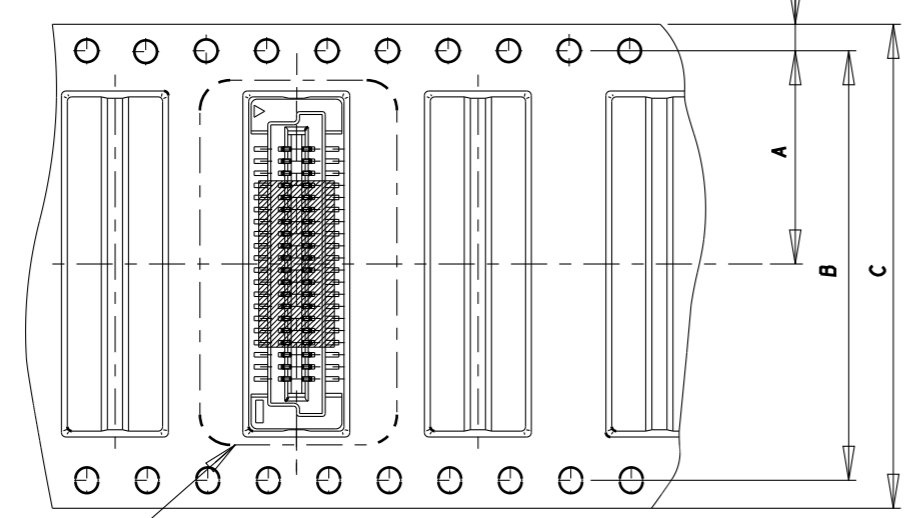


THIS DRAWING IS UNPUBLISHED. RELEASED FOR PUBLICATION .19  
 © COPYRIGHT 19 BY AMP INCORPORATED. ALL RIGHTS RESERVED.

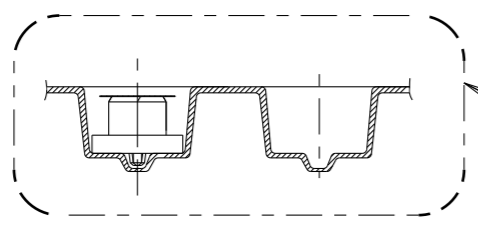
LOC	DIST	REVISIONS					
		P	LTR	DESCRIPTION	DATE	DWN	APVD
DY	-	F1		REVISED PER ECR-10-006657	20AUG10	SYJ	LSF

DIRECTION OFF TOP OF REEL →



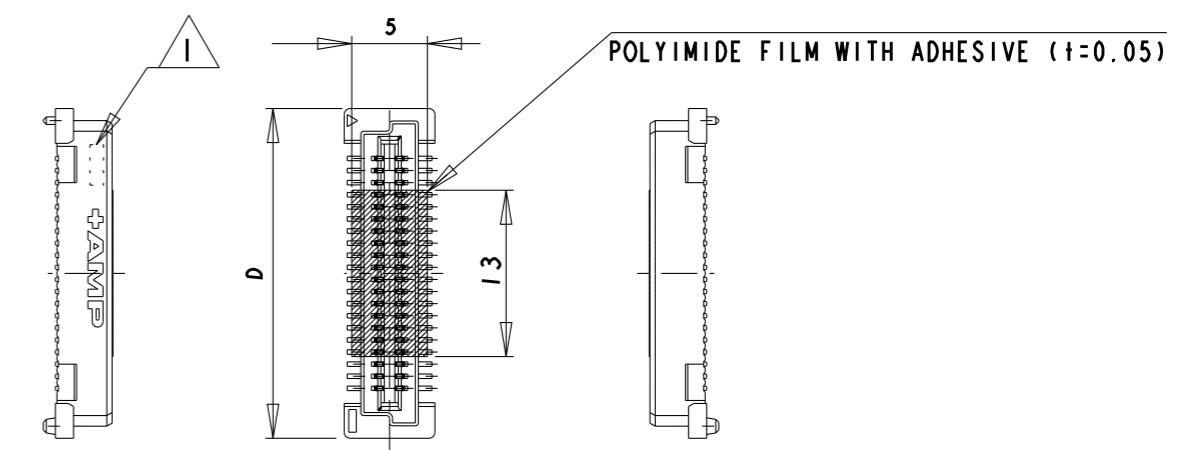
DETAIL A  
(SCALE 4-1)

DETAIL B

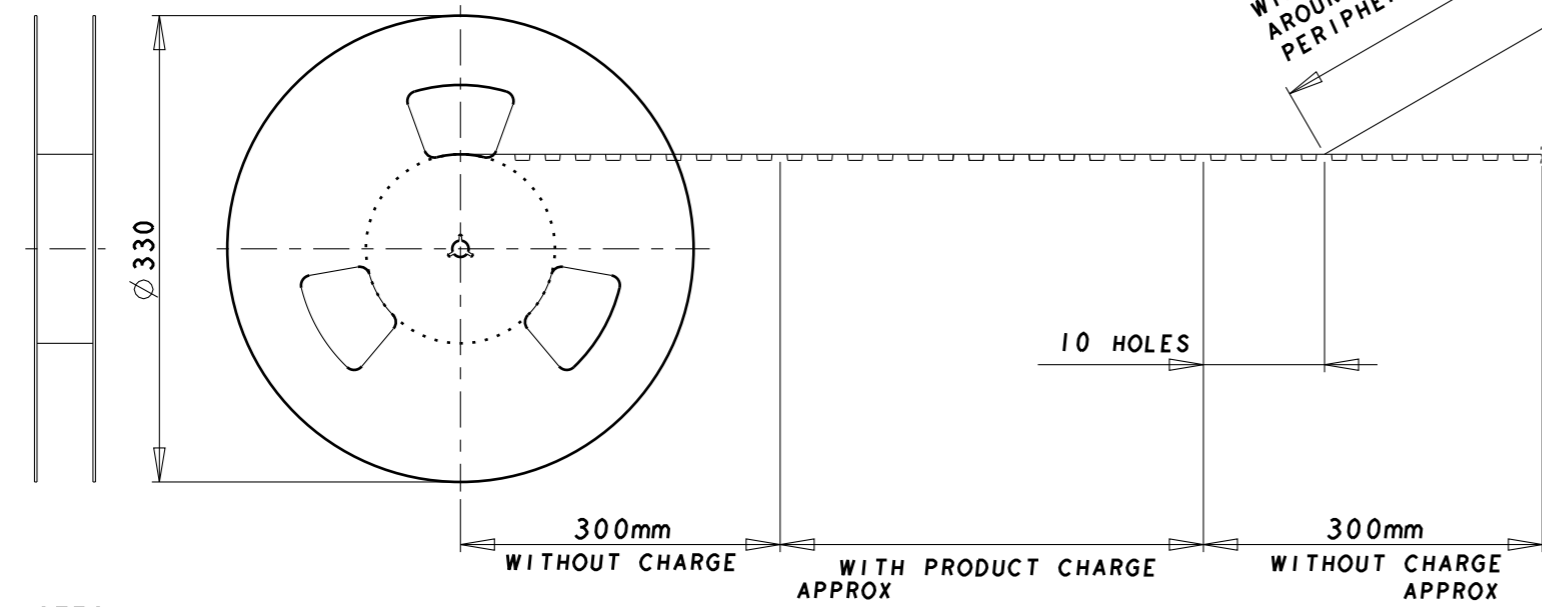


DETAIL A

WINDING THE COVER TAPE AROUND THE OUTER PERIPHERY IN A TURN.

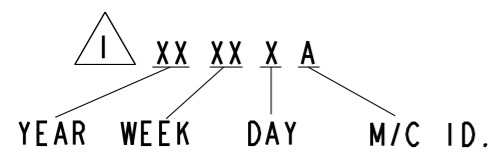


DETAIL B



REMARKS	CONTACT MATERIAL	QTY	E	D	C	B	A	CONNECTOR P/N	POS	PART NO.
AVAILABLE	FULL Au	700	25.4	61.8	88	84.4	42.2	1735175-6	140	1-84927-6
AVAILABLE	FULL Au	1000	12	37.8	56	52.4	26.2	1735175-3	80	1-84927-3
OBSOLETE	TIN-LEAD	1000	12	37.8	56	52.4	26.2	177983-3	80	84927-3

NOTES:



- A- LINE 1, E0115
- B- LINE 2, E0116
- C- LINE 3, E9763
- D- LINE 4, E0447
- E- LINE 5, E0441
- F- LINE 6, E0442
- G- LINE 7, E0443
- H- LINE 8, E0492
- J- LINE 9, E0493
- K- LINE 10, E0494

THIS DRAWING IS A CONTROLLED DOCUMENT FOR AMP INCORPORATED. IT IS SUBJECT TO CHANGE AND THE CONTROLLING ENGINEERING ORGANIZATION SHOULD BE CONTACTED FOR THE LATEST REVISION.

DWN SK LEAW 19FEB03  
 CHK ERIC TNG  
 APVD SE LEONG  
 PRODUCT SPEC 108-5390  
 APPLICATION SPEC 114-5254  
 WEIGHT -

**Tyco Electronics** Tyco Electronics Singapore Pte Ltd.

NAME RECEPTACLE ASSEMBLY 5H TYPE WITH POLYIMIDE FILM (0.5 BOSS LENGTH) FOR FH 0.8 B-T-B CONN, ON TAPING

SIZE A3 CAGE CODE 00779 DRAWING NO C-84927

CUSTOMER DRAWING SCALE 2:1 SHEET 1 OF 1 REV F1