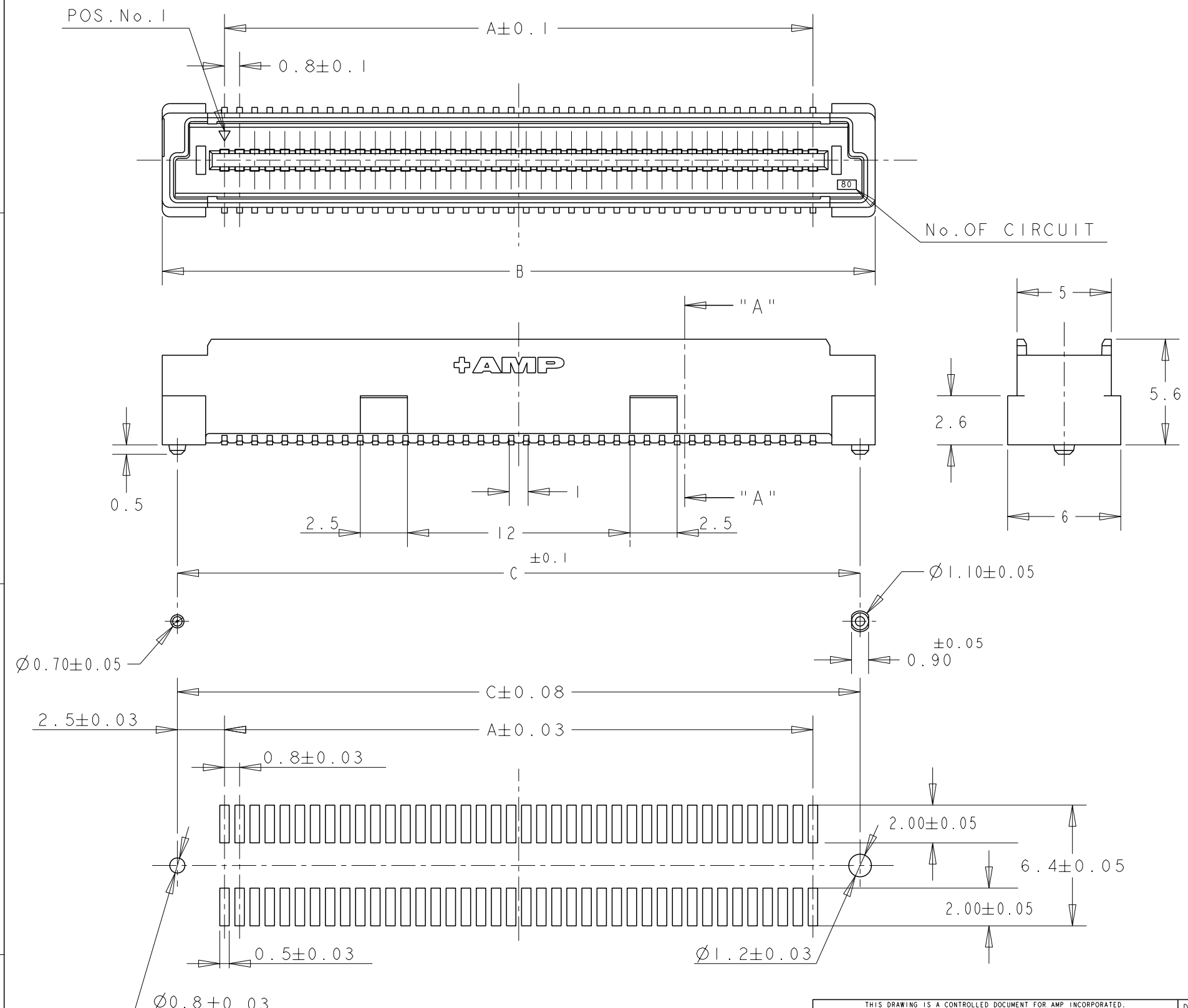
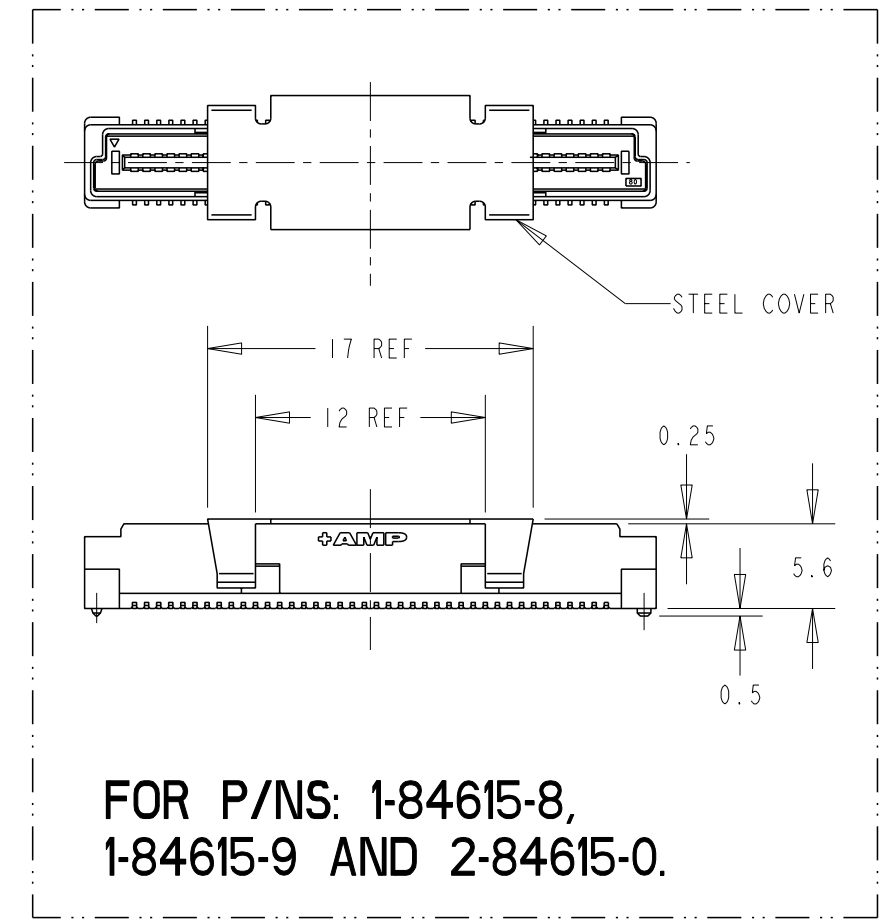


THIS DRAWING IS UNPUBLISHED. RELEASED FOR PUBLICATION .19 .  
 © COPYRIGHT 19 BY AMP INCORPORATED. ALL RIGHTS RESERVED.

LOC DY	DIST -	REVISIONS			
P	LTR	DESCRIPTION	DATE	DWN	APVD
		F1 REVISED ECR-15-005119	07APR2014	I.T	W.H



- NOTES;
- 1. MATERIAL: HOUSING: L.C.P. (HIGH TEMP THERMO PLASTIC)  
UL 94V-0, NATURAL.  
CONTACT: BRASS.
  - 2. FINISH: CONTACT AREA: 0.00076 MIN GOLD ON  
0.0013 MIN ALL OVER NICKEL.  
SOLDERING AREA: 0.001 MIN TIN-LEAD.
  - 3. POSITION SERIES; SEE TABLE. (SHEET 2)
  - 4. CONN STACK HEIGHT COMBINE OF PLUG "Y" H VS REC "X" H.  
STACK HEIGHT = Y + X - 5
  - 5. FOR STEEL COVER PICK AND PLACE VERSION,  
DESCRIPTION PRINTING ON TUBE IS:  
"PLUG ASS'Y (H=6mm), W/ STEEL COVER,  
0.8mm BTB STACKING CONN"



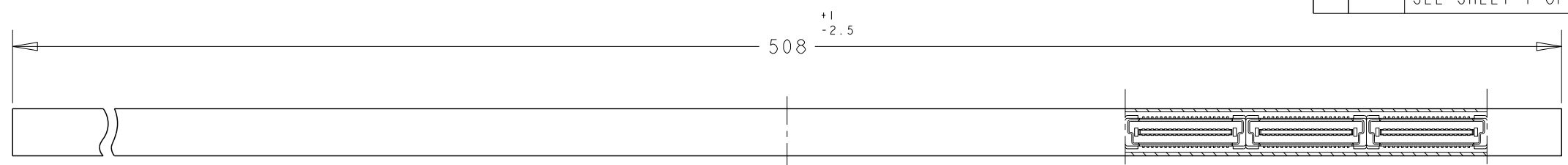
RECOMMENDED P.C. BOARD LAYOUT

P/N SEE SHEET 2 OF 2.

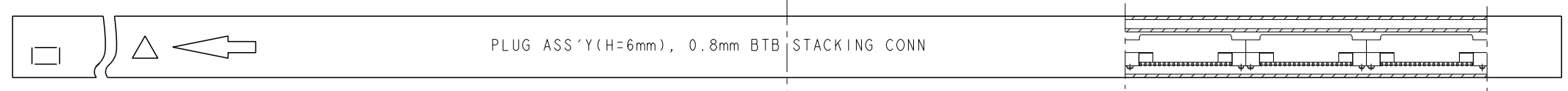
THIS DRAWING IS A CONTROLLED DOCUMENT FOR AMP INCORPORATED. IT IS SUBJECT TO CHANGE AND THE CONTROLLING ENGINEERING ORGANIZATION SHOULD BE CONTACTED FOR THE LATEST REVISION.		DWN WYLEE	80CT98	<b>AMP</b>	AMP MANUFACTURING (SINGAPORE) PTE. LTD.	
DIMENSIONS: mm		CHK MARCUS	APVD ERIC ING		NAME PLUG ASSEMBLY 6H TYPE 30Au (0.5 BOSS LENGTH) FOR FH 0.8mm PITCH B-T-B CONNECTOR	
TOLERANCES UNLESS OTHERWISE SPECIFIED: 0 PLC ± 1 PLC ±0.2 2 PLC ±0.25 3 PLC ±0.3 4 PLC ± ANGLES ±3°		PRODUCT SPEC 108-5390	APPLICATION SPEC 114-5254	SIZE A3	CAGE CODE 00779	DRAWING NO C-84615
MATERIAL 1	FINISH 2	WEIGHT -	CUSTOMER DRAWING	SCALE 4:1	SHEET 1 OF 2	REV F1

THIS DRAWING IS UNPUBLISHED. RELEASED FOR PUBLICATION .19  
 BY AMP INCORPORATED. ALL RIGHTS RESERVED.

LOC DY	DIST -	REVISIONS			DATE	DWN	APVD
P	LTR	DESCRIPTION					
		SEE SHEET 1 OF 2					



REFERENCE PICTURE OF TUBE PACK (WITHOUT STEEL COVER VERSION)

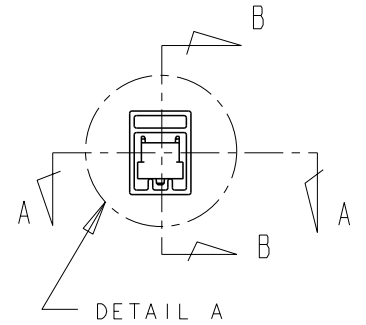


REFERENCE PICTURE OF TUBE PACK

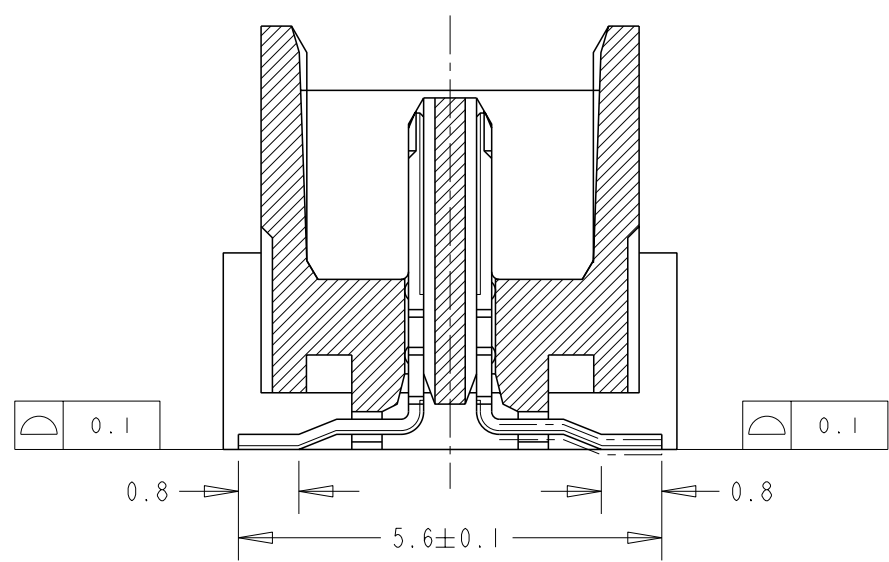
PLUG ASS'Y (H=6mm), 0.8mm BTB STACKING CONN

SECT A-A

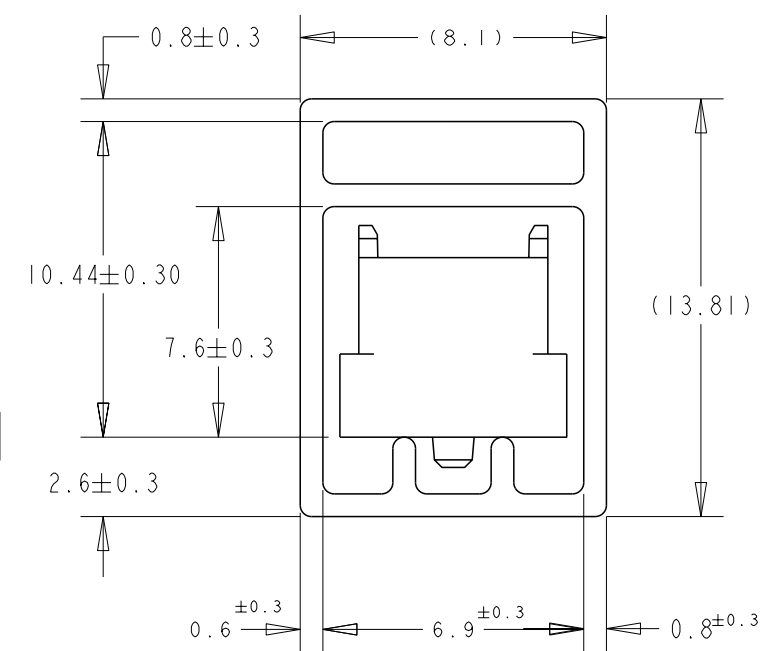
SECT B-B



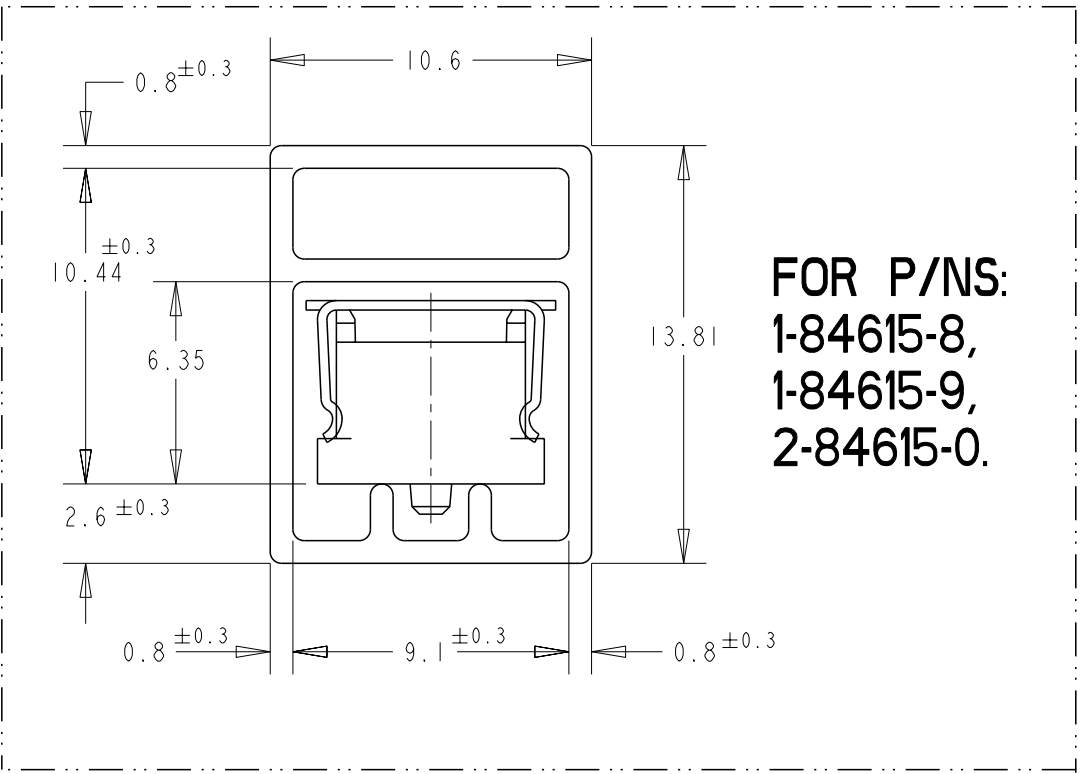
DETAIL A



SECT. "A" - "A"



DETAIL "B"  
(SCALE 5-1)



**FOR P/NS:  
1-84615-8,  
1-84615-9,  
2-84615-0.**

WITH STEEL COVER	AVAILABLE	5	84.2	85.8	79.2	200	2-	-0
		6	76.2	77.8	71.2	180	1-	-9
		6	68.2	69.8	63.2	160	1-	-8
		5	84.2	85.8	79.2	200	1-	-0
		6	76.2	77.8	71.2	180		-9
		6	68.2	69.8	63.2	160		-8
		7	60.2	61.8	55.2	140		-6
		9	52.2	53.8	47.2	120		-5
		10	44.2	45.8	39.2	100		-4
		12	36.2	37.8	31.2	80		-3
16	28.2	29.8	23.2	60		-2		
22	20.2	21.8	15.2	40		84615-1		
REMARKS	STATUS	QTY/ TUBE	C	B	A	POS.	CONN	P/N

THIS DRAWING IS A CONTROLLED DOCUMENT FOR AMP INCORPORATED. IT IS SUBJECT TO CHANGE AND THE CONTROLLING ENGINEERING ORGANIZATION SHOULD BE CONTACTED FOR THE LATEST REVISION.		DWN WYLEE 80CT98	<b>AMP</b> AMP MANUFACTURING (SINGAPORE) PTE. LTD.	
DIMENSIONS: mm		CHK MARCUS	NAME PLUG ASSEMBLY 6H TYPE 30Au (0.5 BOSS LENGTH) FOR FH 0.8mm PITCH B-T-B CONNECTOR	
TOLERANCES UNLESS OTHERWISE SPECIFIED: 0 PLC ±- 1 PLC ±0.2 2 PLC ±0.25 3 PLC ±0.3 4 PLC ±- ANGLES ±3°		APVD ERIC ING	PRODUCT SPEC 108-5390	
MATERIAL 1		FINISH 2	APPLICATION SPEC 114-5254	WEIGHT -
CUSTOMER DRAWING		SIZE A3	CAGE CODE 00779	DRAWING NO C-84615
		SCALE 4:1	SHEET 2	OF 2
		REV F1		