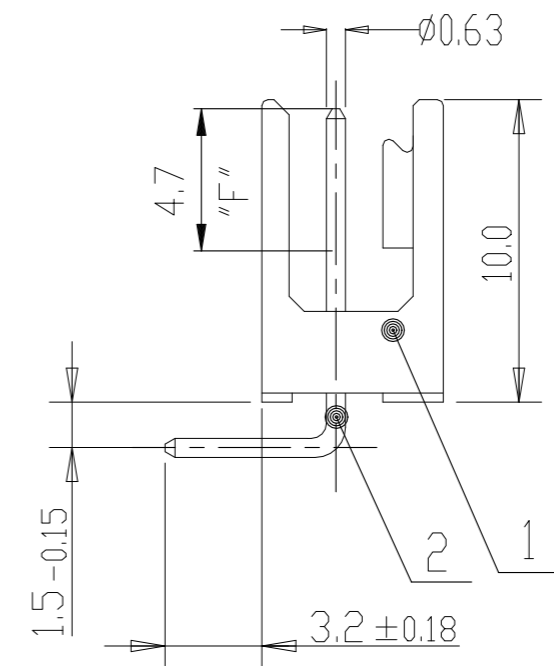
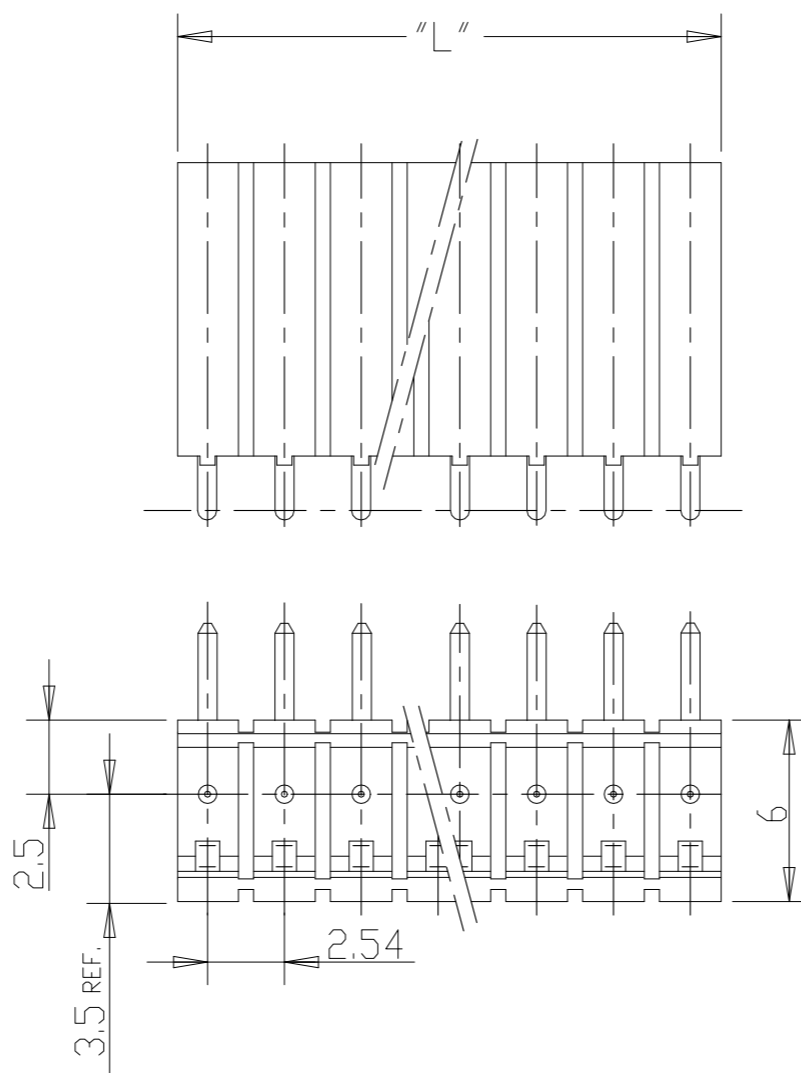



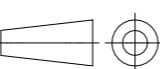
POS. "n"	L±0.4	PART NO.	
2	4.58	0-829163-2	
3	7.12	0-829163-3	OBSOLETE
4	9.66	0-829163-4	
5	12.20	0-829163-5	
7	17.28	0-829163-7	
8	19.82	0-829163-8	OBSOLETE
10	24.90	1-829163-0	OBSOLETE

P	LTR	DESCRIPTION	DATE	DWN	APVD
	G2	PART OBSOLESCENCE	26MAR2024	KA	SS



⚠ MATING SIDE: Min 0.76µm (PdNi + Au FLASH) IN ZONE "F" OVER Min 1.27µm Ni
 (Alternative plating - Min 0.76µm Au OVER Min 1.27µm Ni)
 SOLDER SIDE: MIN. 3.0µm Sn OVER Min 1.27µm Ni

ITEM NO.	DESCRIPTION	MATERIAL	PLATING COLOR
2	CONTACT PIN	CuZn	⚠
1	PIN HOUSING	PA 4/6	BLACK

USED FOR E-87-9401	THIS DRAWING IS A CONTROLLED DOCUMENT.	DWN A.HO 21MAR1988	 TE Connectivity			
		CHK SCHAARSCHMIDT 21MAR1988				
DIMENSIONS: mm	TOLERANCES UNLESS OTHERWISE SPECIFIED: ±0.2mm	PRODUCT SPEC 108-18012	APVD -		APPLICATION SPEC	
	0 PLC ± - 1 PLC ± - 2 PLC ± - 3 PLC ± - 4 PLC ± - ANGLES ± -	SIZE A3	CAGE CODE 00779	DRAWING NO C-829163	RESTRICTED TO -	
MATERIAL SEE TABLE	FINISH SEE TABLE	WEIGHT -	CUSTOMER DRAWING		SCALE 4:1	
			SHEET 1 OF 1	REV G2		