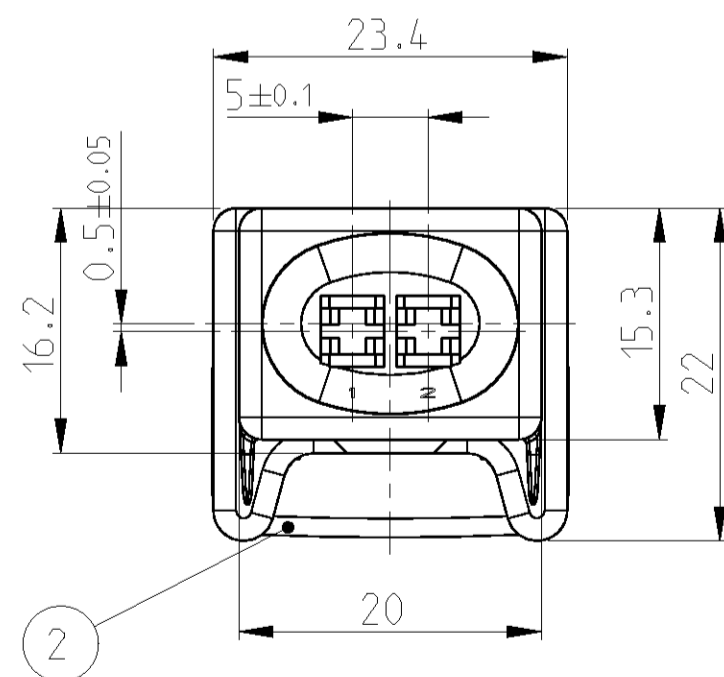
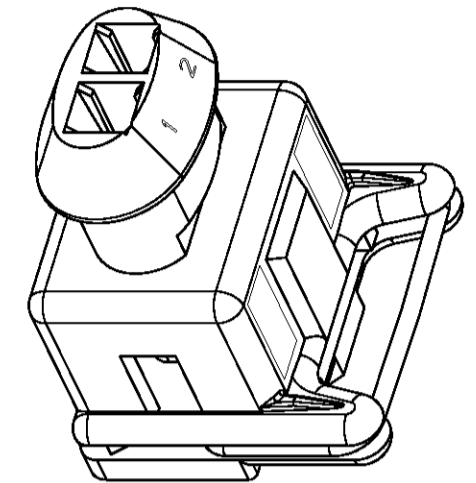
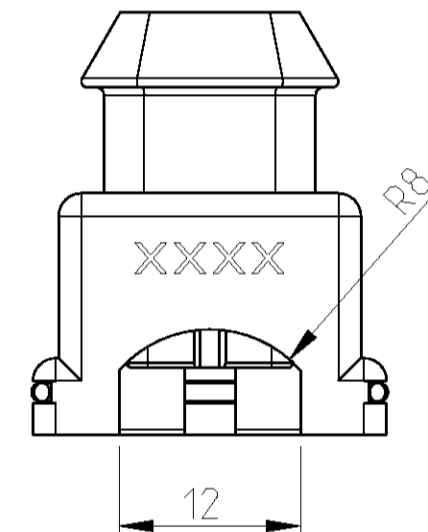
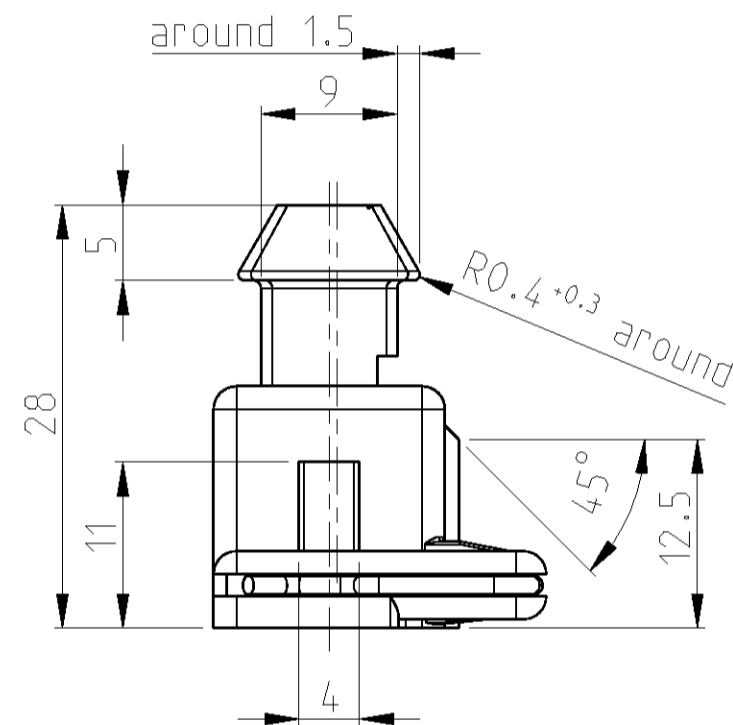
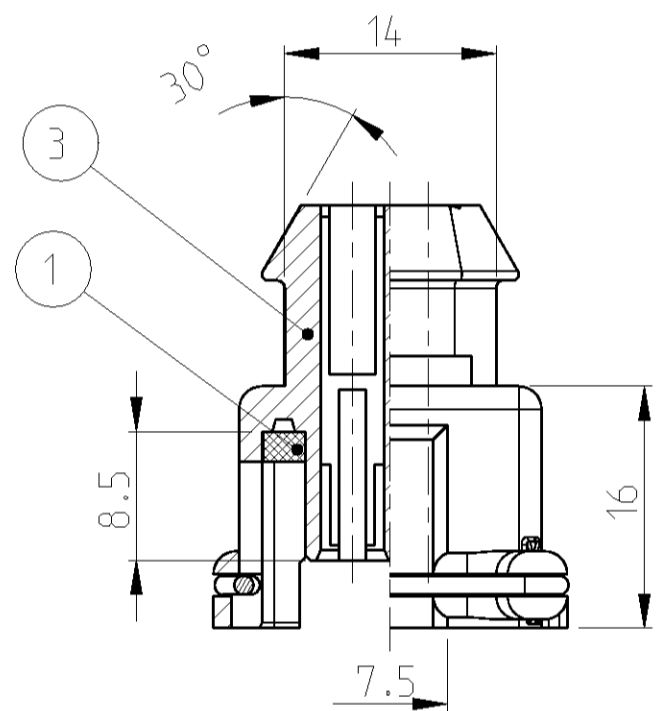
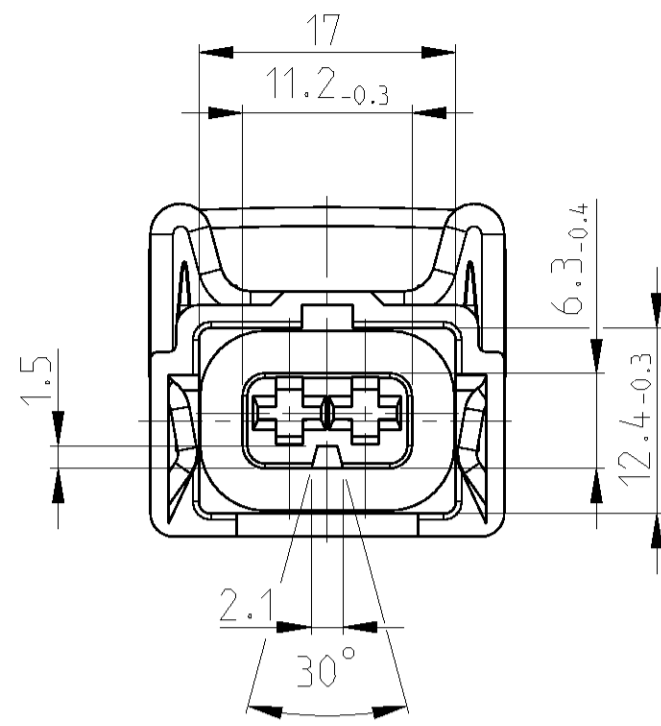


THIS DRAWING IS UNPUBLISHED. RELEASED FOR PUBLICATION 2006  
 © COPYRIGHT BY ALL RIGHTS RESERVED.

LOC		DIST		REVISIONS			
P	LTR	DESCRIPTION	DATE	DWN	APVD		
A3		REVISED PER ECO-11-005150	28APR11	RK	HMR		



QTY	QTY	QTY	QTY	QTY	QTY	QTY	QTY	QTY	QTY	PART-NO.	DESCRIPTION	ITEM NO.	MATERIAL	COLOR
1										928 554-8		3		YELLOW
	1									928 554-7		3		RED
		1								928 554-6		3		GREEN
			1							928 554-5		3		BLUE
				1						928 554-4		3		BROWN
					1					928 554-3		3		BLACK
						1				928 554-2		3		GREY
							1			928 554-1		3		NATURAL
1	1	1	1	1	1	1	1	1	1	827 547-1	SPRING	2	DIN 2076	
1	1	1	1	1	1	1	1	1	1	825 383-1	SEALING	1	NEOPRENE	
828 657-8														
828 657-7														
828 657-6														
828 657-5														
828 657-4														
828 657-3														
828 657-2														
828 657-1														

DWN Drott 13MAR1986		<b>STE</b> TE Connectivity	
CHK Wending		NAME 2POS. HSG. FOR JUNIOR-POWER-TIMER CONTACT	
APVD Bleicher, M. 25AUG2006		2 pol. Gehäuse für Junior-Power-Timer Kontakt	
PRODUCT SPEC		SIZE CAGE CODE DRAWING NO. RESTRICTED TO	
APPLICATION SPEC		A2 100779 C-828657	
WEIGHT		SCALE 2:1 SHEET 1 OF 1 REV A3	
CUSTOMER DRAWING			

DIMENSIONS:	TOLERANCES UNLESS OTHERWISE SPECIFIED:
mm	±0.3mm
	±2.5°
MATERIAL	FINISH
-	