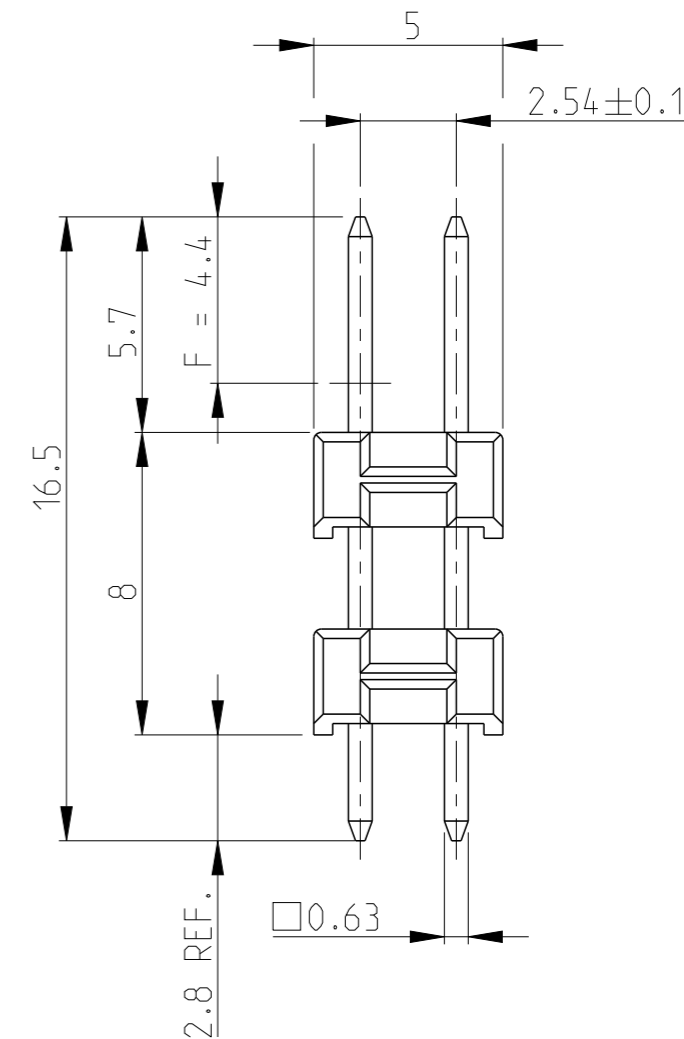
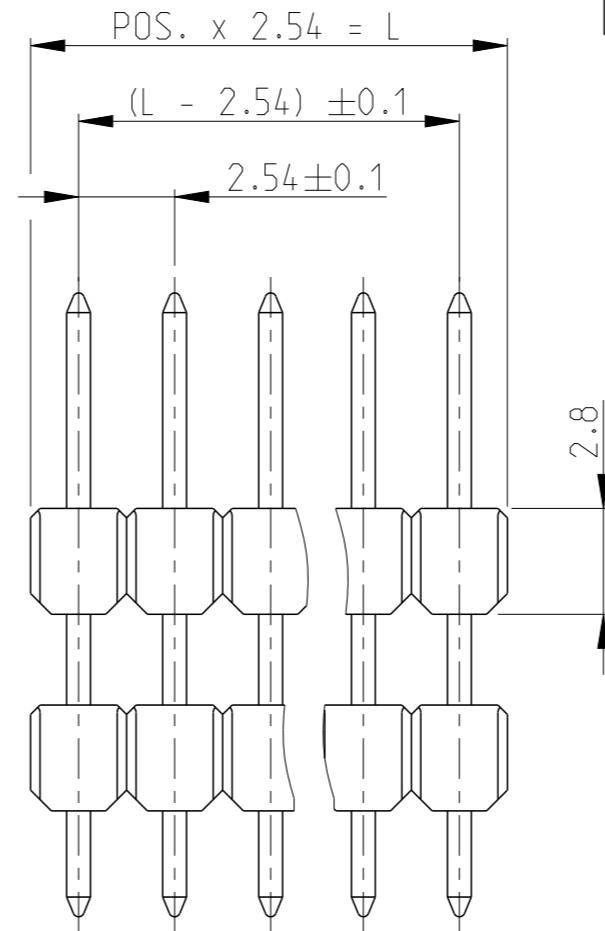


| POS. PER ROW | L +0.3 -0.6 | PART NUMBER | POS. PER ROW | L +0.3 -0.6 | PART NUMBER |
|--------------|----------------|---------------|--------------|----------------|--------------|
| - | 2 | 827 988-1 | -26 | 66.04 | 2- 827 988-6 |
| 2 | 5.08 | 827 988-2 | -27 | 68.58 | 2- -7 |
| 3 | 7.62 | | -28 | 71.12 | 2- -8 |
| 4 | 10.16 | | -29 | 73.66 | 2- -9 |
| 5 | 12.70 | | -30 | 76.20 | 3- -0 |
| 6 | 15.24 | | -31 | 78.74 | 3- -1 |
| 7 | 17.78 | | -32 | 81.28 | 3- -2 |
| 8 | 20.32 | | -33 | 83.82 | 3- -3 |
| 9 | 22.86 | | -34 | 86.36 | 3- -4 |
| 10 | 25.40 | 1- 0/4 | -35 | 88.90 | 3- -5 |
| 11 | 27.94 | 1- -1/3 | -36 | 91.44 | 3- -6 |
| 12 | 30.48 | 1- -2 | -37 | 93.98 | 3- -7 |
| 13 | 33.02 | 1- -3/3 | -38 | 96.52 | 3- -8 |
| 14 | 35.56 | 1- -4/3 | -39 | 99.06 | 3- -9 |
| 15 | 38.10 | 1- -5/4 | -40 | 101.60 | 4- 0 |
| 16 | 40.64 | 1- -6/3 | -41 | 104.14 | 4- -1 |
| 17 | 43.18 | 1- -7/3 | -42 | 106.68 | 4- -2 |
| 18 | 45.72 | 1- -8/3 | -43 | 109.22 | 4- -3 |
| 19 | 48.26 | 1- -9/3 | -44 | 111.76 | 4- -4 |
| 20 | 50.80 | 2- 0/4 | -45 | 114.30 | 4- -5 |
| 21 | 53.34 | 2- 1/3 | -46 | 116.84 | 4- -6 |
| 22 | 55.88 | 2- 2/3 | -47 | 119.38 | 4- -7 |
| 23 | 58.42 | 2- 3/3 | -48 | 121.92 | 4- 8 |
| 24 | 60.96 | 2- 4/3 | -49 | 124.46 | 4- -9 |
| 25 | 63.50 | 2-827 988-5/3 | -50 | 127.00 | 5- 827 988-0 |

OBSOLETE



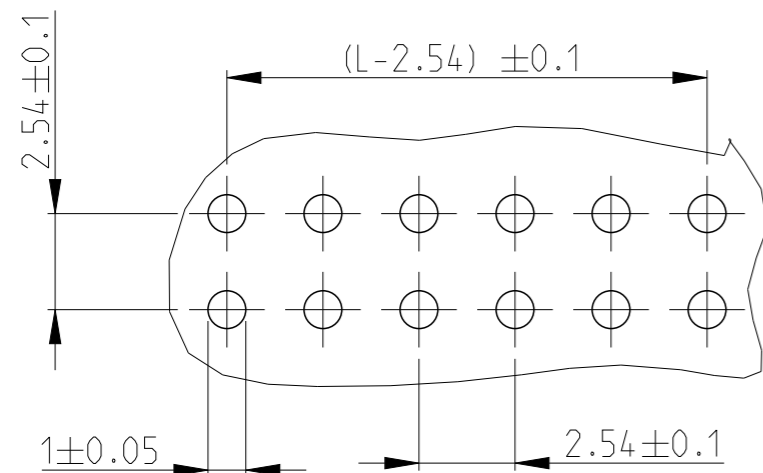
1 MATING SIDE: MIN 0.76 μm (PdNi + Au FLASH)
 BY AREA "F" OVER 1.27 μm NICKEL
 (Alternative plating - Min 0.76 μm Au OVER 1.27 μm Ni)
 SOLDER SIDE: MIN. 3 μm TIN OVER 1.27 μm NICKEL

3 OBSOLETE PARTS: OBSOLETE CIS STREAMLINING
 PER D.RENAUD/D.SINISI

2 827988-1 SUPERSEDED BY 2-827988-0

4 OBSOLETE

| | | |
|---------------------|----------|------------------------------|
| 1 | CuZn | CONTACT PIN KONTAKTSTIFT |
| COLOUR GREEN | PBT | PIN HOUSING STIFTGEHAEUSE |
| REMARK BEMERKUNG | MATERIAL | DESCRIPTION BEZEICHNUNG |



PC BOARD LAYOUT
LEITERPLATTEN-
ANSCHLUSSBILD

| | | | | | | | |
|---|--|--------------------------|--|-----------------|---------------------|-----------------|--------|
| THIS DRAWING IS A CONTROLLED DOCUMENT. | | DWN G.HOLAUS 17 JUL 1989 | TE Connectivity | | | | |
| DIMENSIONS: mm | | CHK M.SCHAARSCHMIDT - | | | | | |
| TOLERANCES UNLESS OTHERWISE SPECIFIED: ±0.2mm | | APVD - | NAME AMPMODU II SPECIAL PIN HEADER DUAL ROW | | | | |
| 0 PLC ± 1 PLC ± 2 PLC ± 3 PLC ± 4 PLC ± ANGLES ± | | PRODUCT SPEC 108-18012 | SIZE A3 | CAGE CODE 00779 | DRAWING NO C-827988 | RESTRICTED TO - | |
| MATERIAL SEE TABLE | | FINISH SEE TABLE | WEIGHT - | SCALE 5:1 | | SHEET 1 OF 1 | REV D1 |
| CUSTOMER DRAWING | | | SCALE 5:1 SHEET 1 OF 1 REV D1 | | | | |