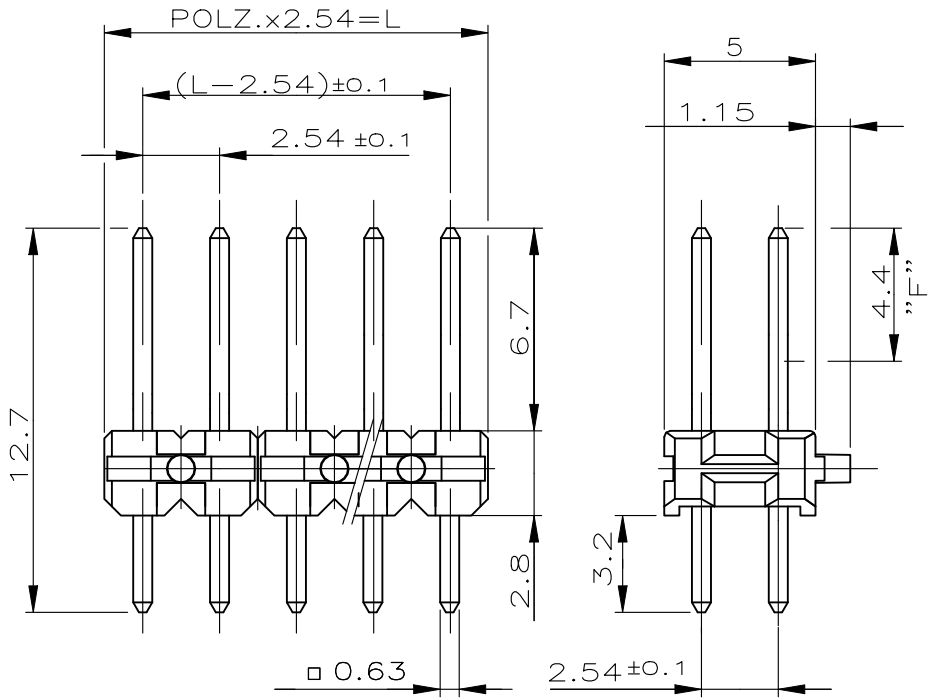


REVISIONS					
P	LTR	DESCRIPTION	DATE	DWN	APVD
	G1	NOTE 1 0.76µm PLATING UPDATE (PdNi+AuFLASH)	11JUL2023	BGC	PS

POS. PER ROW	L±0.5	PART NUMBER.	
-	-	-	
2	5.08	825440 -2	
3	7.62	-3	
4	10.16	-4	
5	12.70	-5	
6	15.24	-6	
7	17.78	-7	
8	20.32	-8	
9	22.86	-9	
10	25.40	1-	-0
11	27.94	1-	-1
12	30.48	1-	-2
13	33.02	1-	-3
14	35.56	1-	-4
15	38.10	1-	-5
16	40.64	1-	-6
17	43.18	1-	-7
18	45.72	1-	-8
19	48.26	1-	-9
20	50.80	2-	-0
21	53.34	2-	-1
22	55.88	2-	-2
23	58.42	2-	-3
24	60.96	2-	-4
25	63.50	2-	-5
26	66.04	2-	-6
27	68.58	2-	-7
28	71.12	2-	-8
29	73.66	2-	-9
30	76.20	3-	-0
31	78.74	3-	-1
32	81.28	3-	-2
33	83.82	3-	-3
34	86.36	3-	-4
35	88.90	3-	-5
36	91.44	3-	-6
37	93.98	3-	-7
38	96.52	3-	-8
39	99.06	3-	-9
40	101.60	4-	-0
41	104.14	4-	-1
42	106.68	4-	-2
43	109.22	4-	-3
44	111.76	4-	-4
45	114.30	4-	-5
46	116.84	4-	-6
47	119.38	4-	-7
48	121.92	4-	-8
49	124.46	4-	-9
50	127.00	5- 825440	-0



▲ MATING SIDE: Min 0.76µm (PdNi + Au FLASH) IN ZONE "F"
 OVER Min 1.27µm Ni
 (Alternative plating - Min 0.76µm Au OVER Min 1.27µm Ni)
 SOLDER SIDE: Min.2.5 µm TIN OVER Min 1.27µm NICKEL

CONTACT PIN	CuZn	▲
PIN HOUSING	PBT GV	GREEN
DESCRIPTION	MATERIAL	SURFACE COLOR

TE Connectivity. All Rights Reserved.



DIMENSIONS: mm TOLERANCES UNLESS OTHERWISE SPECIFIED: ±0.2 mm 0 PLC ± - 1 PLC ± - 2 PLC ± - 3 PLC ± - 4 PLC ± - ANGLES ± -	DWN 22JUN1984 M.SCHAARSCHMIDT	MATERIAL -	FINISH -
	CHK - APVD - PRODUCT SPEC 108-18012 APPLICATION SPEC - WEIGHT -	TE Connectivity Ltd.	
NAME AMPMODU II PIN HEADER, DUAL ROW		SIZE A4 CAGE CODE 00779 DRAWING NO C-825440	RESTRICTED TO -
CUSTOMER DRAWING		SCALE 4:1	SHEET 1 OF 2 REV G1

REVISIONS					
P	LTR	DESCRIPTION	DATE	DWN	APVD
-	-	SEE SHEET 1	-	-	-

POS. PER ROW	L±0.5	PART NO.	REMARKS
1	2.54	5- -1	
2	5.08	5- -2	
3	7.62	5- -3	
4	10.16	5- -4	
5	12.70	5- -5	
6	15.24	5- -6	
7	17.78	5- -7	
8	20.32	5- -8	
9	22.86	5- -9	
10	25.40	6- 0	
11	27.94	6- -1	
12	30.48	6- -2	
13	33.02	6- -3	
14	35.56	6- -4	
15	38.10	6- -5	
16	40.64	6- -6	
17	43.18	6- 825440 -7	△
18	45.72	6- -8	
19	48.26	6- -9	
20	50.80	7- 0	

△ PACKAGING: 25 STUCK IN PLASTIC TIN
 PN 165439-1 WITH PLASTIC LID
 PN 165440-1

△ OBSOLETE PARTS: OBSOLETE CIS STREAMLINING PER D.RENAUD/D.SINISI

△ OBSOLETE

TE Connectivity. All Rights Reserved.



DIMENSIONS: mm	DWN A.HO	07JUN1984	MATERIAL -	FINISH -		
	CHK M.SCHAARSCHMIDT	13JUN1984	TE Connectivity Ltd.			
TOLERANCES UNLESS OTHERWISE SPECIFIED:	APVD -	-			NAME AMPMODU II STIFTLISTE ZWEIREIHIG	
0 PLC ± -	PRODUCT SPEC	-	SIZE	CAGE CODE	DRAWING NO	RESTRICTED TO
1 PLC ± -	-	-	A4	00779	C-825440	-
2 PLC ± -	APPLICATION SPEC	-	SCALE 4:1 SHEET 2 OF 2 REV G			
3 PLC ± -	-	-	CUSTOMER DRAWING			
4 PLC ± -	WEIGHT	-				
ANGLES ± -						