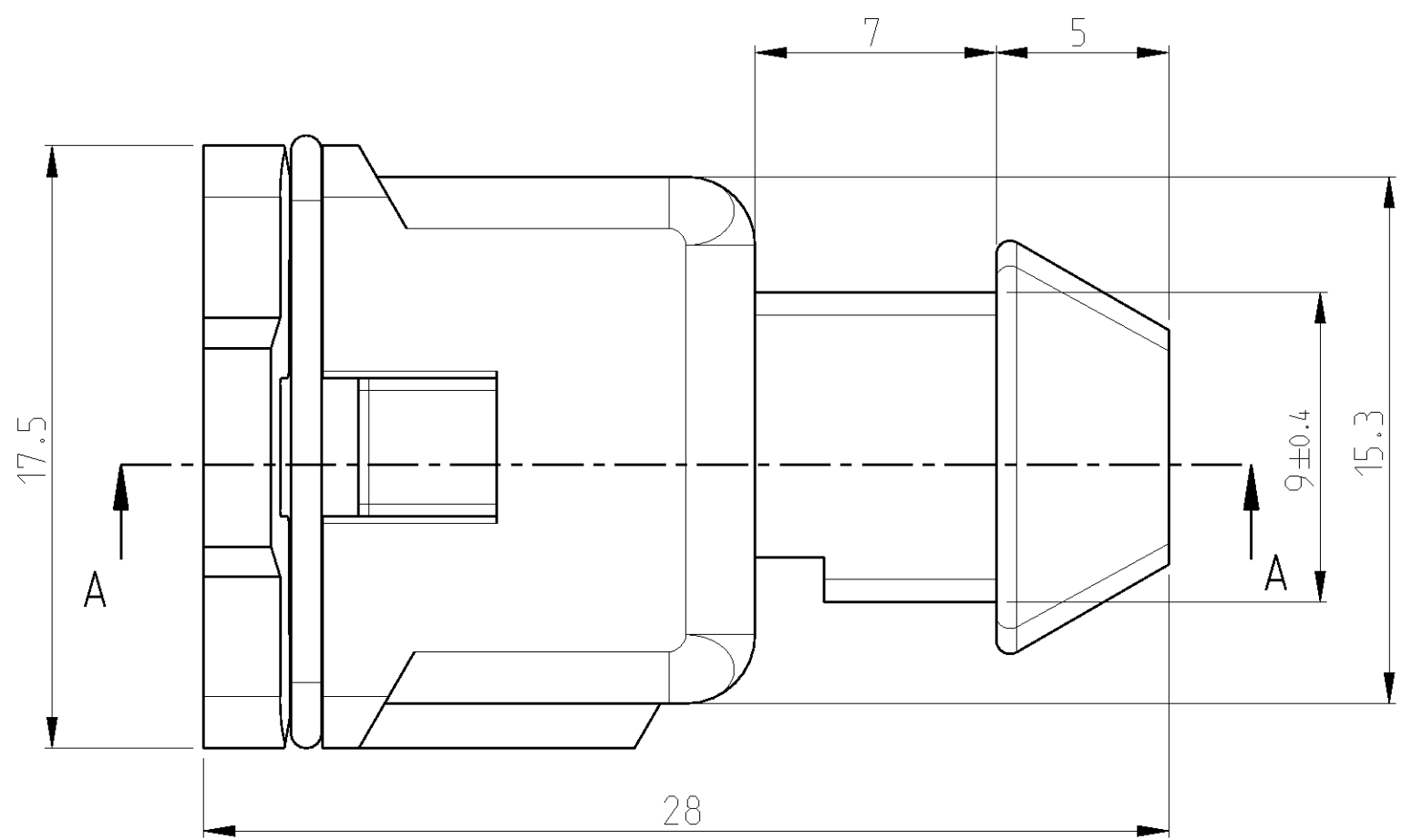
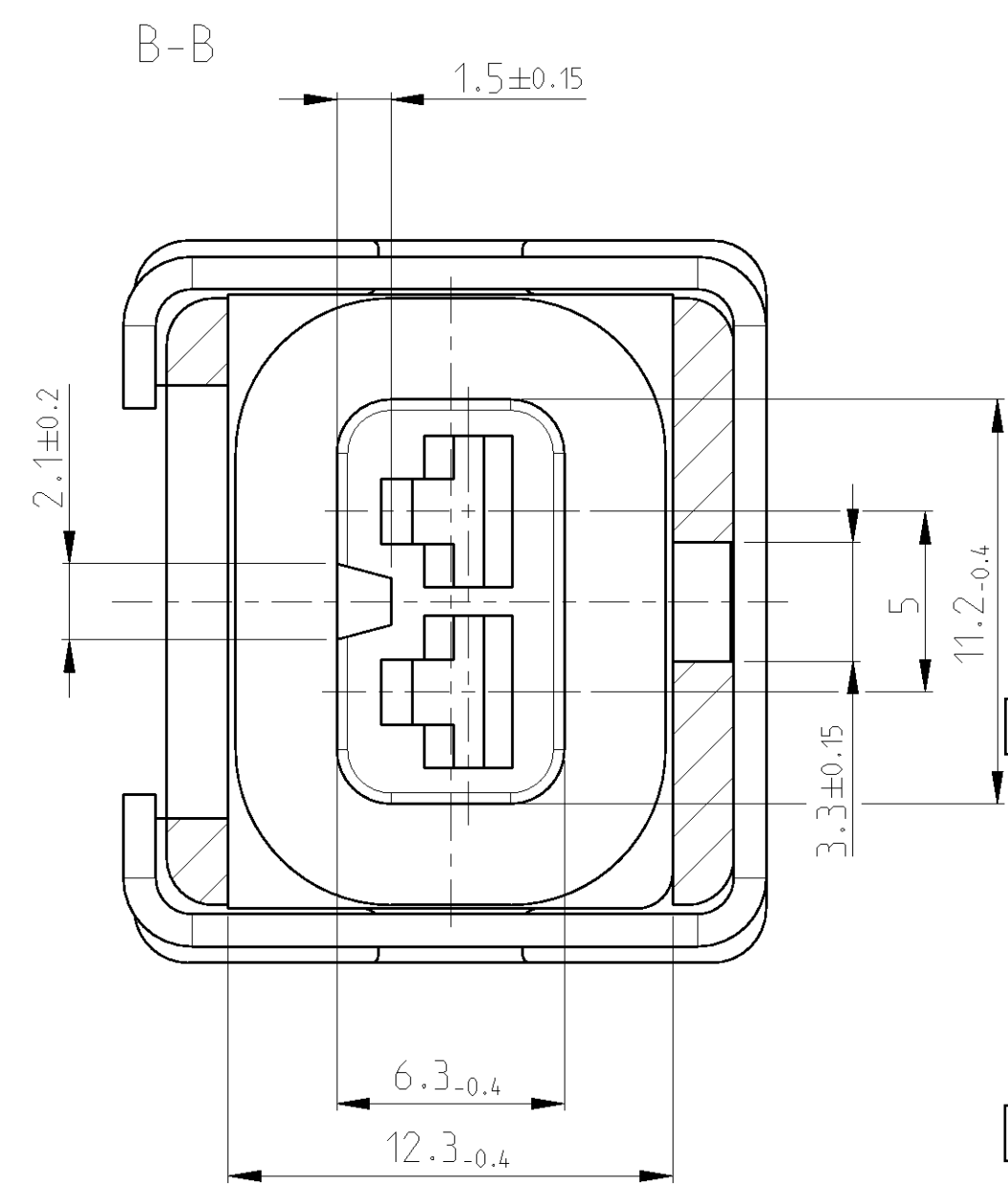
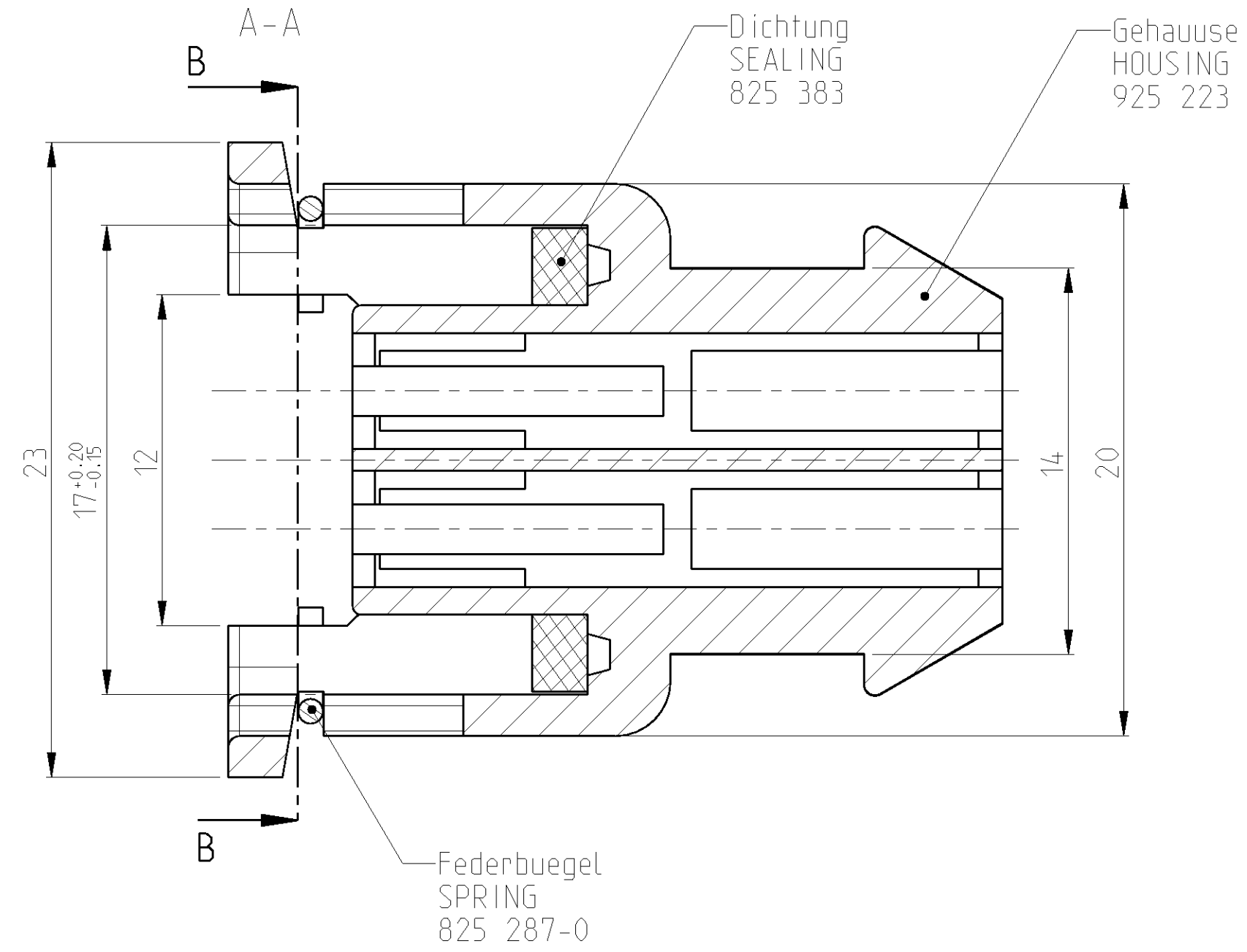


THIS DRAWING IS UNPUBLISHED. RELEASED FOR PUBLICATION 2012
 © COPYRIGHT 2012 BY - ALL RIGHTS RESERVED.

LOC		DIST		REVISIONS			
P	LTR	DESCRIPTION	DATE	DWN	APVD		
G3		Dimensions new attracted	22NOV2012	Ho.	Krauss		
G4		REVISED PER ECR-23-188581	03MAR2024	RK	DJ		
G5		REVISED PER ECR-24-210448	31MAY2024	SDT	SCK		
G6		OBSOLETE 1-2, 1-1, 1-0 AND 1-3 VARIANT	19AUG24	KMD	-		



ASSY NO.	COLOR	HSG.	MATERIAL	HSG.	SEALING NO.
3-825 414-6	BROWN	PA 6.6 GV 30		825 383-4	
3-825 414-5	BLACK	PA 6.6 GV 30		825 383-4	
3-825 414-3	BLUE	PA 6.6 GV 30		825 383-4	
3-825 414-2	GREEN	PA 6.6 GV 30		825 383-4	
3-825 414-1	GREY	PA 6.6 GV 30		825 383-4	
3-825 414-0	CLEAR	PA 6.6 GV 30		825 383-4	
OBSOLETE					
2-825 414-6	BROWN	PA 6.6 GV 13		825 383-4	
2-825 414-5	BLACK	PA 6.6 GV 13		825 383-4	
2-825 414-3	BLUE	PA 6.6 GV 13		825 383-4	
2-825 414-2	GREEN	PA 6.6 GV 13		825 383-4	
2-825 414-1	GREY	PA 6.6 GV 13		825 383-4	
2-825 414-0	CLEAR	PA 6.6 GV 13		825 383-4	
OBSOLETE					
1-825 414-6	BROWN	PA 6.6 GV 30		825 383-1	
1-825 414-5	BLACK	PA 6.6 GV 30		825 383-1	
1-825 414-3	BLUE	PA 6.6 GV 30		825 383-1	
1-825 414-2	GREEN	PA 6.6 GV 30		825 383-1	
1-825 414-1	GREY	PA 6.6 GV 30		825 383-1	
1-825 414-0	CLEAR	PA 6.6 GV 30		825 383-1	
OBSOLETE					
825 414-6	BROWN	PA 6.6 GV 13		825 383-1	
825 414-5	BLACK	PA 6.6 GV 13		825 383-1	
825 414-3	BLUE	PA 6.6 GV 13		825 383-1	
825 414-2	GREEN	PA 6.6 GV 13		825 383-1	
825 414-1	GREY	PA 6.6 GV 13		825 383-1	
825 414-0	CLEAR	PA 6.6 GV 13		825 383-1	

THIS DRAWING IS A CONTROLLED DOCUMENT.

DWN Haas, C. 18JUL2006
 CHK Siredak, F. 23AUG2006
 APVD Bleicher, M. 25AUG2006

STE TE Connectivity

NAME ASSEMBLY FOR 2POS. FEMALE HSG. FOR JUNIOR-TIMER CONTACT
 2 pol. Buchsengeh. fuer JT Kontakt

DIMENSIONS: mm
 TOLERANCES UNLESS OTHERWISE SPECIFIED:
 0 PLC ±
 1 PLC ±
 2 PLC ±
 3 PLC ±
 4 PLC ±
 ANGLES ±°
 FINISH

MATERIAL SEE TABLE

PRODUCT SPEC -
 APPLICATION SPEC -
 WEIGHT -

Customer Drawing

SIZE A2 CAGE CODE 00779 DRAWING NO. C=825414_C RESTRICTED TO -
 SCALE 5:1 SHEET 1 OF 1 REV G6