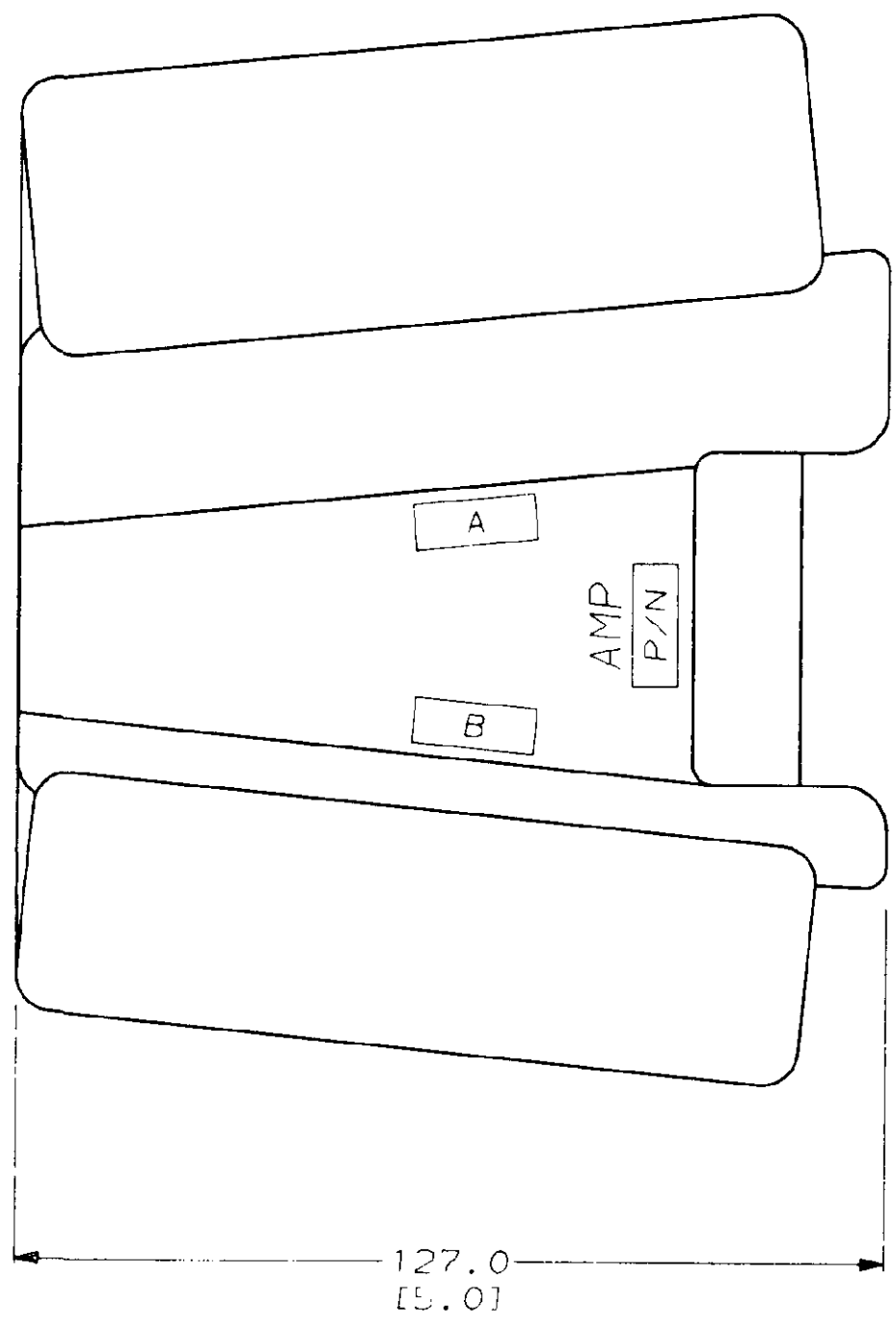
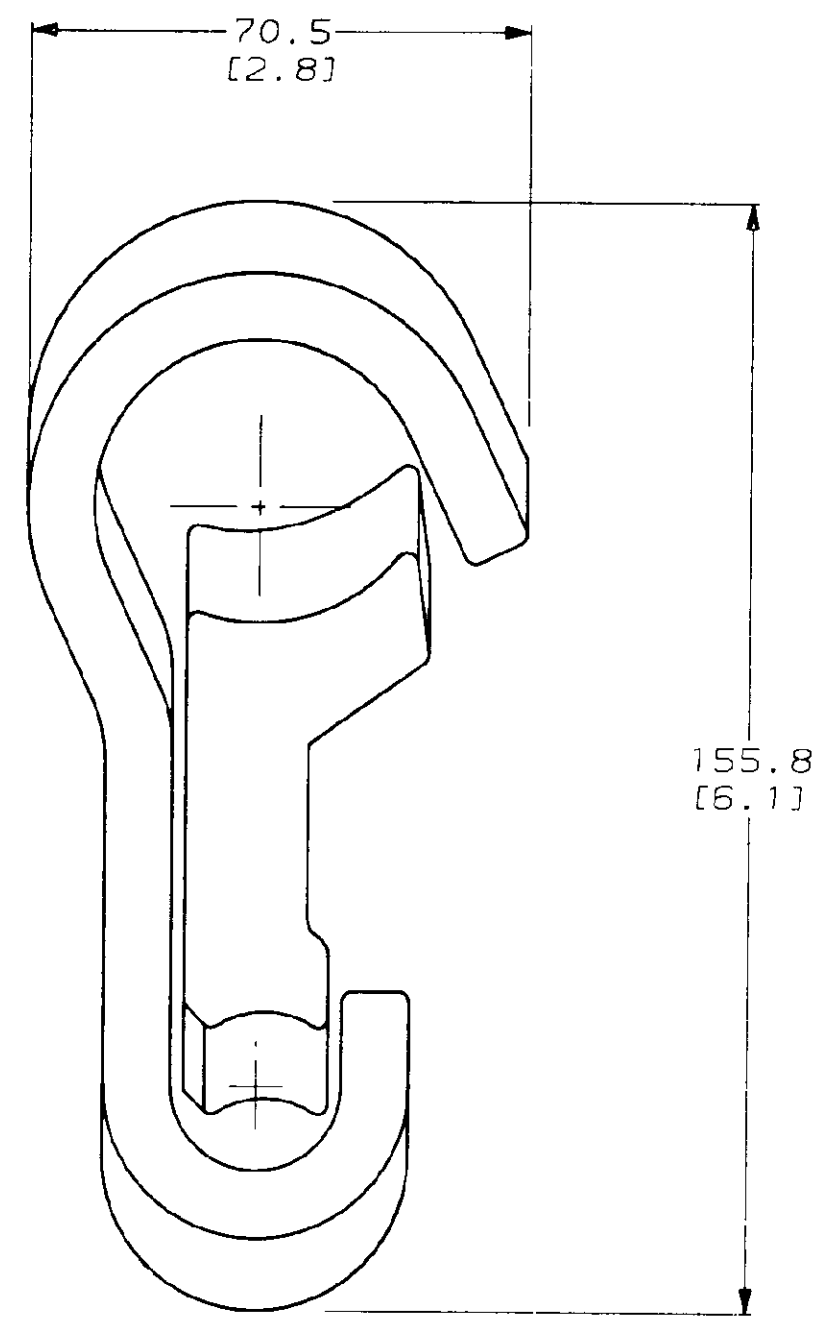


LOC		DIST		REVISIONS			
P	F	ZONE	LTR	DESCRIPTION	DATE	APPD	
bg	-			0 INITIAL REL PER BG614	11/91	CKM	

D
C
B
A



1 DIMENSIONS ARE FOR REFERENCE ONLY

METRIC

2167 (72/7) ACSR	556.5 (24/7) ACSR	81698-1
"A"	"B"	"P/N" (PART NO.)
P/N UNLESS SPECIFIED DIMENSIONS IN mm (INCHES) TOLERANCES ON: 2 PLC DEC ± - 3 PLC DEC ± - ANGLES ± - MATERIAL -	DR V. COTA 11/91 CHK C. HAUN APPD - CKM 11/91 APPD - PRODUCT SPEC -	AMP AMP of CANADA Ltd. Markham, Ont. NAME ASSY SPECIAL AMPACT
FINISH -	APPLICATION SPEC -	SIZE C
	WEIGHT -	CAGE CODE 09482
		DRAWING NO 81698
		SCALE -
		SHEET 1 OF 1