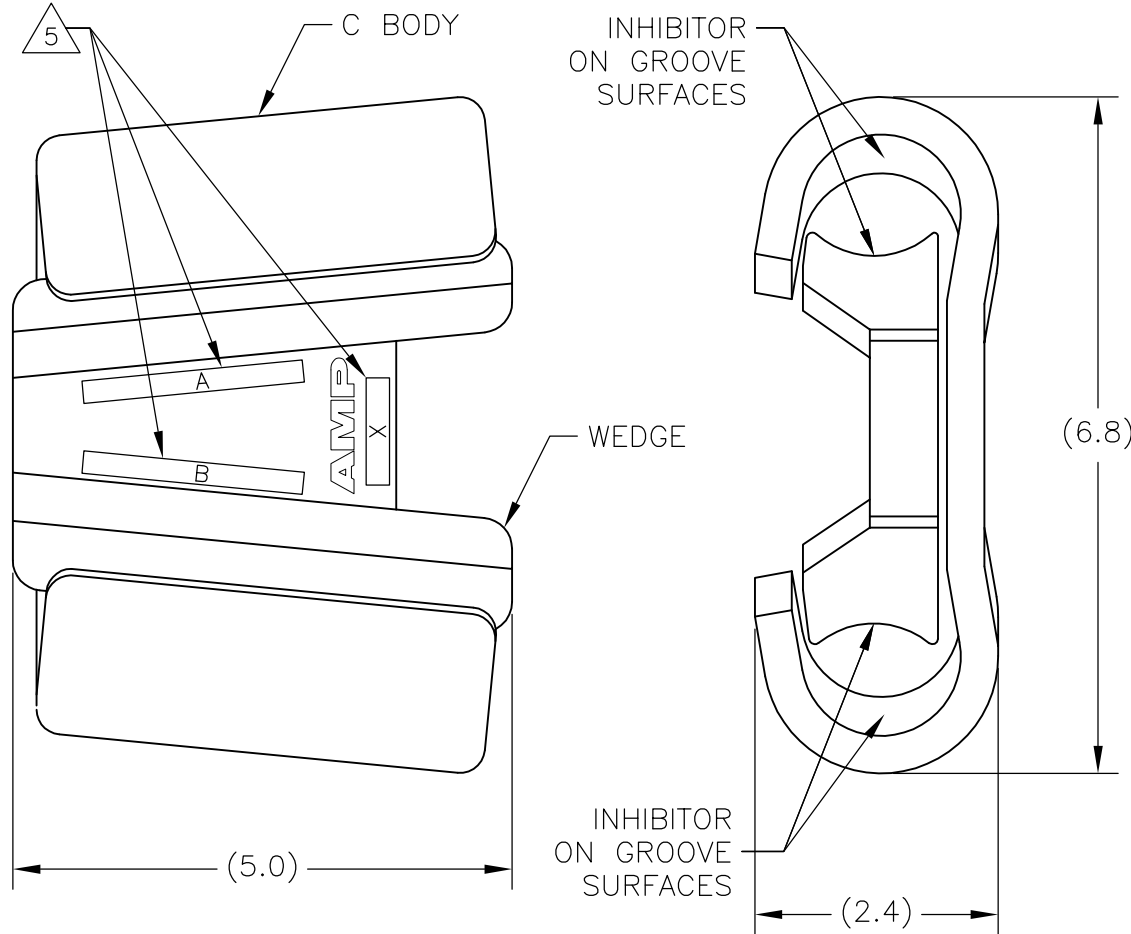


THIS DRAWING IS UNPUBLISHED. RELEASED FOR PUBLICATION  
 © COPYRIGHT - TE Connectivity ALL RIGHTS RESERVED.

REVISIONS					
P	LTR	DESCRIPTION	DATE	DWN	APVD
	0	INITIAL RELEASE PER EC LC20-0229-03	18SEP2003	CD	BJ
	C	LC20-0060-17 / ECO-17-007572	09JUN2017	DM	BJ



- 1 WEDGE AND C BODY ARE MADE OF ALUMINUM ALLOY.
- 2. DIMENSIONS ARE FOR REFERENCE ONLY.
- 3. INHIBITOR IS APPLIED AT FACTORY TO GROOVES OF WEDGE AND C BODY.
- 4. FIELD INSTALLATION:  
USE AMPACT TOOL P/N: 69611 WITH YELLOW CARTRIDGE P/N: 69338-4.
- 5 MARKING:  
REFER TO TABLE FOR P/N & CORRESPONDING RUN/TAP CONDUCTOR SIZES. MARKING APPEARS ON WEDGE.

266 KCMIL ACSR (26/7)	1590 KCMIL ACSR (45/7)	81673-4	81673-4
336 KCMIL ACSR (26/7)	1590 KCMIL ACSR (45/7)	81673-3	81673-3
795 KCMIL ACSR (45/7)	1590 KCMIL ACSR (45/7)	81673-2	81673-2
1272 KCMIL ACSR (45/7)	1590 KCMIL ACSR (45/7)	81673-1	81673-1
"B" (TAP CONDUCTOR)	"A" (RUN CONDUCTOR)	"X" (ASSEMBLY P/N)	PART NO.
MARKING 5			

DIMENSIONS: INCHES		TOLERANCES UNLESS OTHERWISE SPECIFIED:		DWN C DAVID 18 SEP 03		CHK D LADIN 22 SEP 03		APVD B JOHNSON 22 SEP 03		NAME	
0 PLC	± -	0 PLC	± -	TE Connectivity		WEDGE TAP CONNECTOR, 1590 KCMIL SERIES, YELLOW CODED, AMPACT		SIZE CAGE CODE DRAWING NO RESTRICTED TO A3 00779 C-81673 -		WEIGHT 0 CUSTOMER DRAWING SCALE NTS SHEET 1 OF 1 REV C	
1 PLC	± -	1 PLC	± -								
2 PLC	± -	2 PLC	± -								
3 PLC	± -	3 PLC	± -								
4 PLC	± -	4 PLC	± -	MATERIAL 1		FINISH NONE					