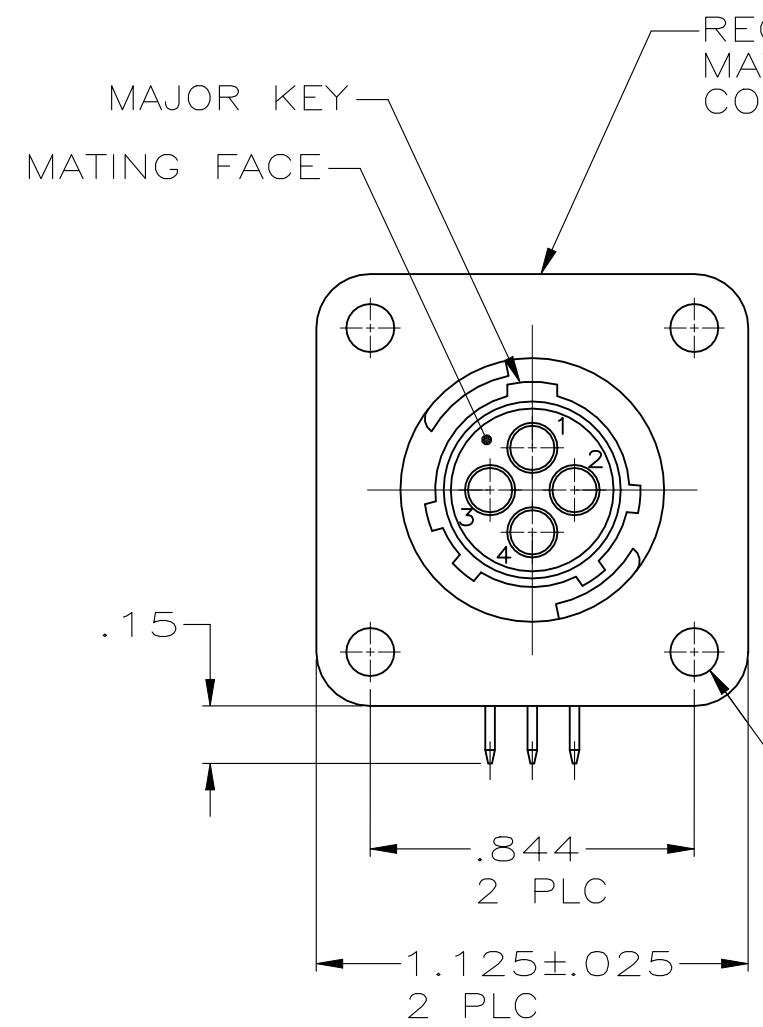
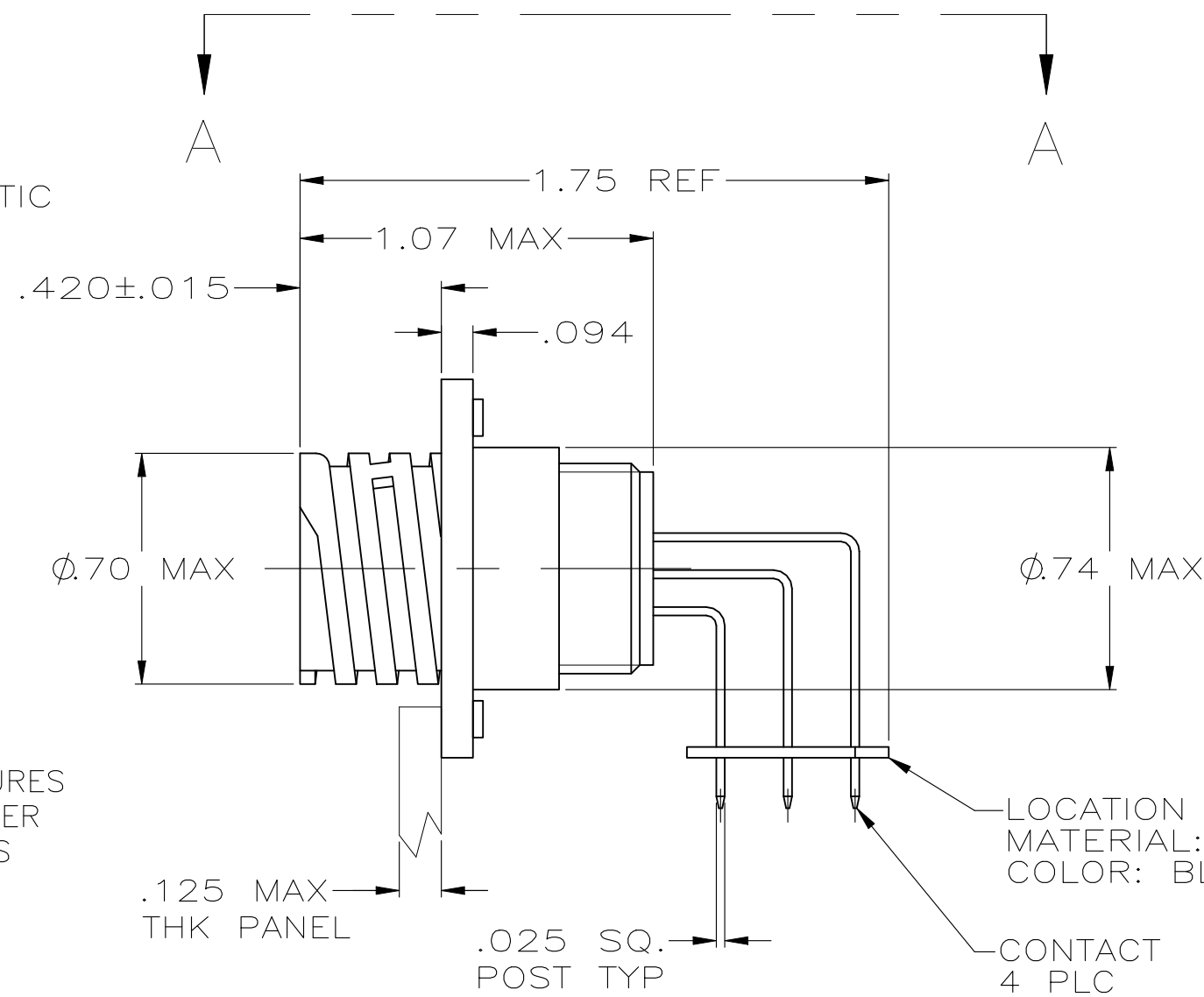


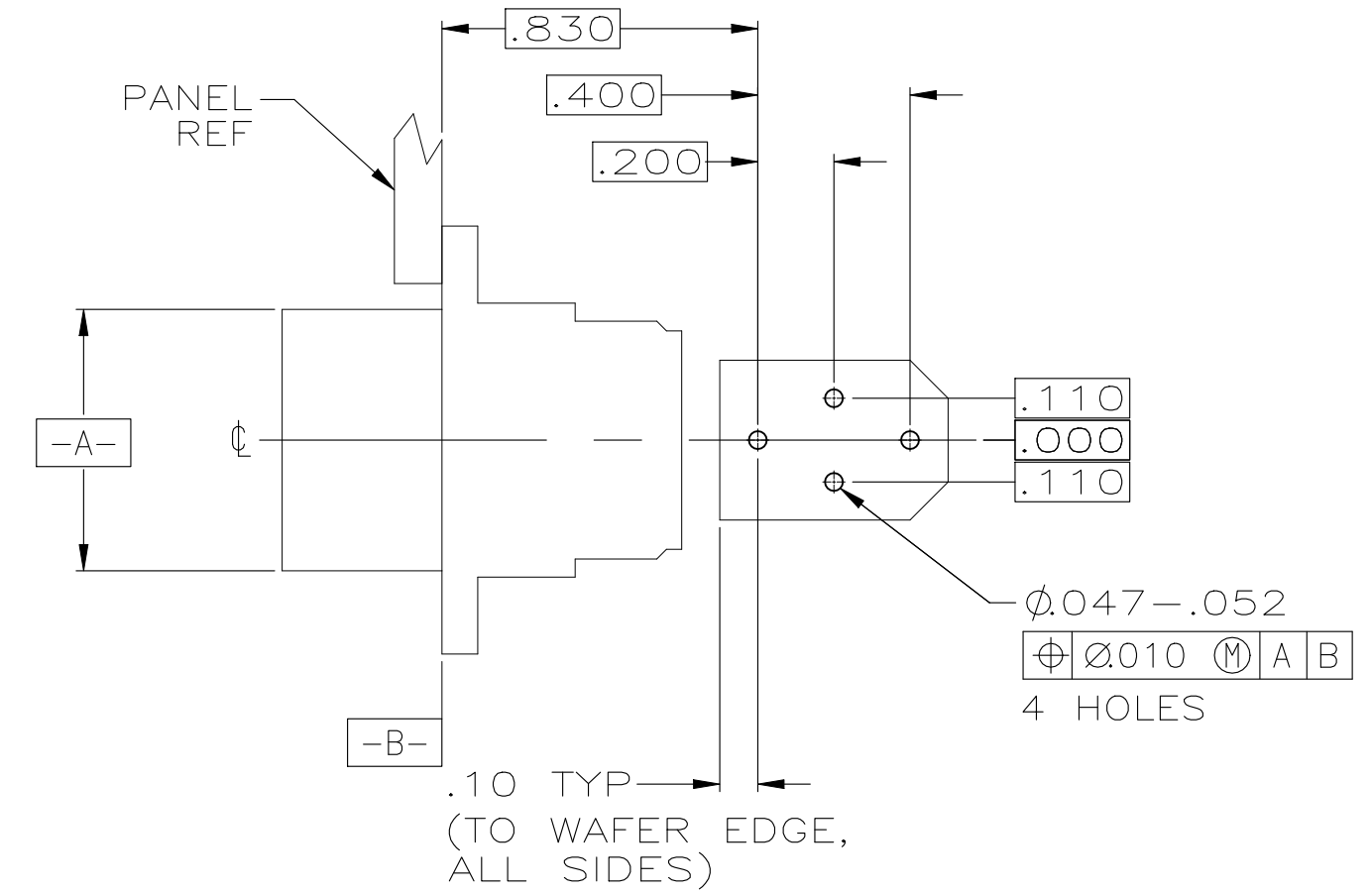
REVISIONS					
P	LTR	DESCRIPTION	DATE	DWN	APVD
B2		REVISED PER ECR-22-150467	26AUG2022	RK	MZ



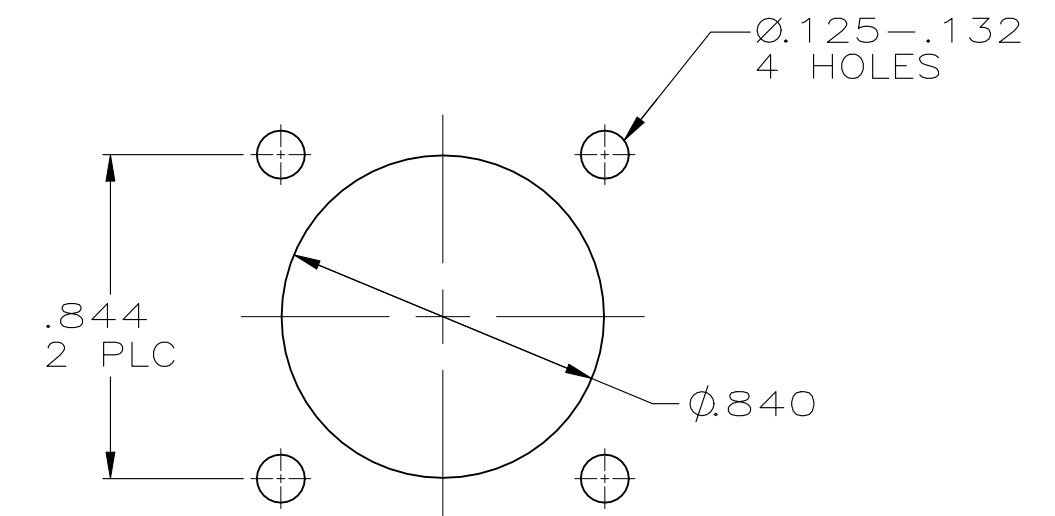
MOUNTING FEATURES  
SEE PART NUMBER  
CHART 4 PLACES



LOCATION WAFER  
MATERIAL: PHENOLIC  
COLOR: BLACK



VIEW A-A  
RECOMMENDED PC BOARD LAYOUT



RECOMMENDED  
PANEL CUTOUT

- CONTACT CAVITIES IDENTIFIED BY CHARACTERS ON FRONT AND REAR FACES OF CONNECTOR.
- #4 FASTENER RECOMMENDED FOR MOUNTING.
- CONTACT BODY: .000030 MIN GOLD FOR A LENGTH OF .200 MIN FROM MATING END, WITH REMAINDER TO BE GOLD FLASH, BOTH OVER .000050 MIN NICKEL.  
CONTACT POST: .000100 MIN TIN-LEAD OVER .000100 MIN COPPER.
- PC BOARD HOLE PATTERN IS DEFINED RELATIVE TO CONNECTOR C.L. AND PANEL MOUNTING FACE INDICATED.
- CONTACT BODY: .000030 MIN GOLD FOR A LENGTH OF .200 MIN FROM MATING END, WITH REMAINDER TO BE GOLD FLASH, BOTH OVER .000050 MIN NICKEL.  
CONTACT POST: .000100 MIN TIN OVER .000100 MIN COPPER.

#4-40 THREADED INSERTS, BRASS	5	1-796407-2
Ø.125±.005 HOLES	5	1-796407-1
Ø.125±.005 HOLES	3	796407-1
MOUNTING FEATURES	CONTACT FINISH	PART NUMBER

THIS DRAWING IS A CONTROLLED DOCUMENT.		DWN HAMNER 3-20-00	TE Connectivity	
DIMENSIONS: INCHES		CHK M.CHACKO 3-23-00	RECEPTACLE ASSY, POSTED, RT ANGLE, RVS SEX, SIZE 11-4, SERIES 1, CPC	
TOLERANCES UNLESS OTHERWISE SPECIFIED:		APVD M.CHACKO 3-23-00	NAME	
0 PLC ± -	1 PLC ± -	PRODUCT SPEC	SIZE CAGE CODE DRAWING NO RESTRICTED TO	
2 PLC ± .03	3 PLC ± .010	APPLICATION SPEC	A2 00779 C=796407	
4 PLC ± -	ANGLES ± -	WEIGHT	SCALE SHEET REV	
MATERIAL	FINISH	CUSTOMER DRAWING	2:1 1 of 1 B2	