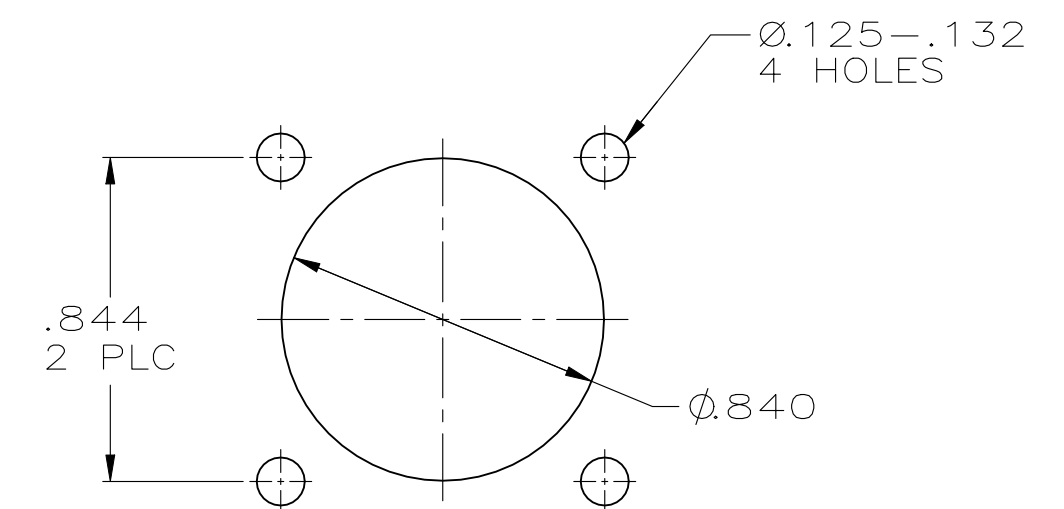
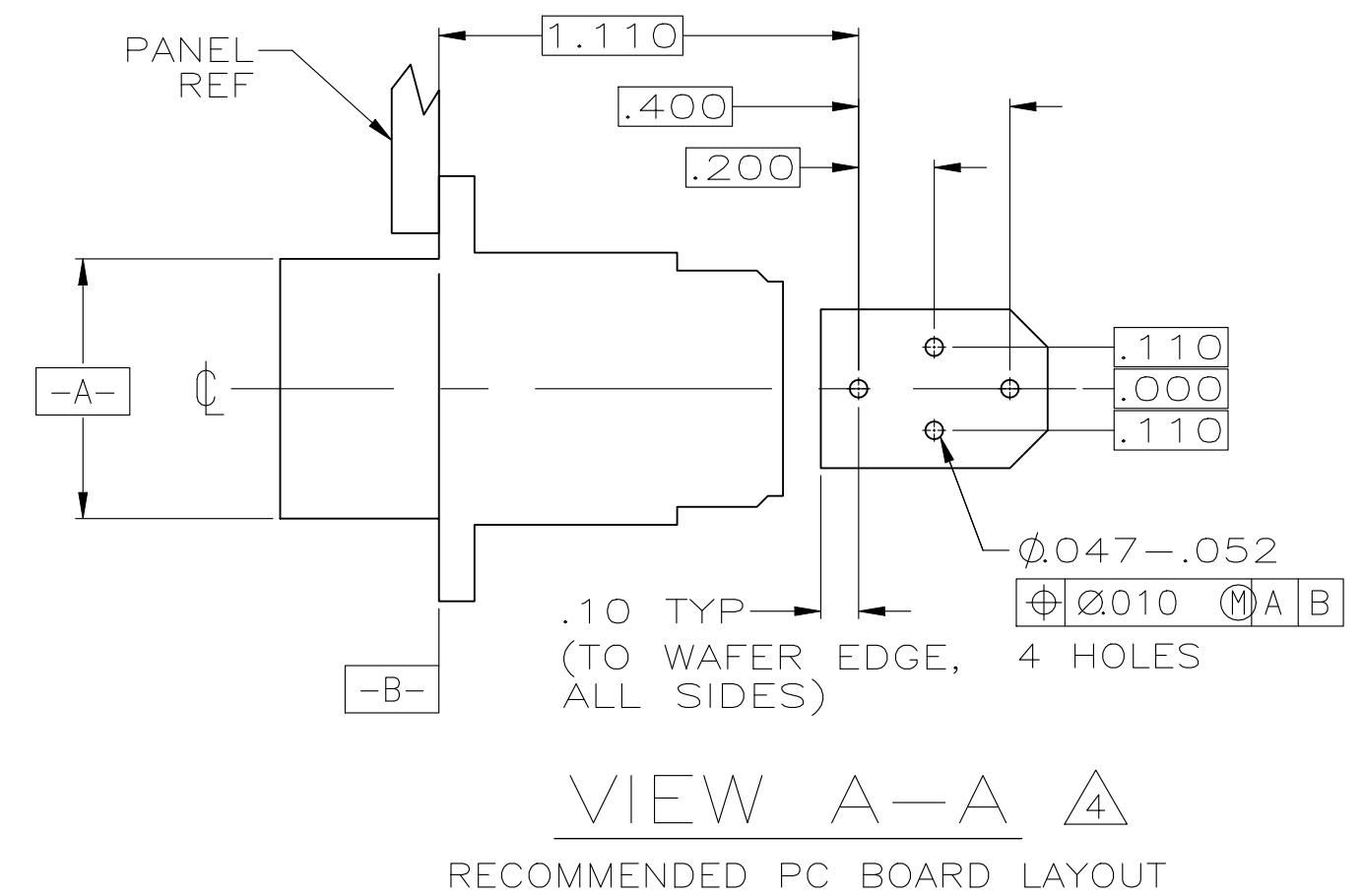
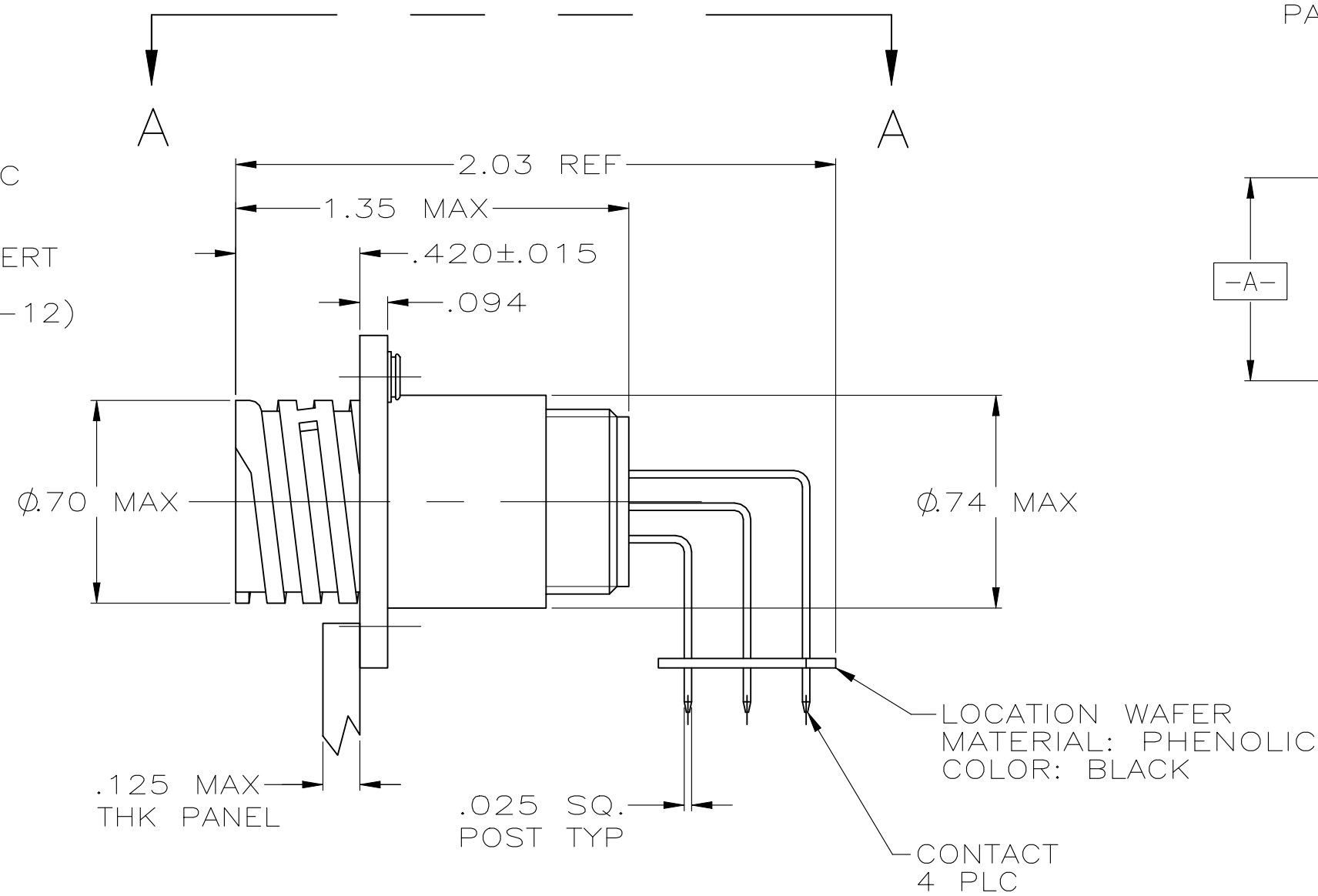
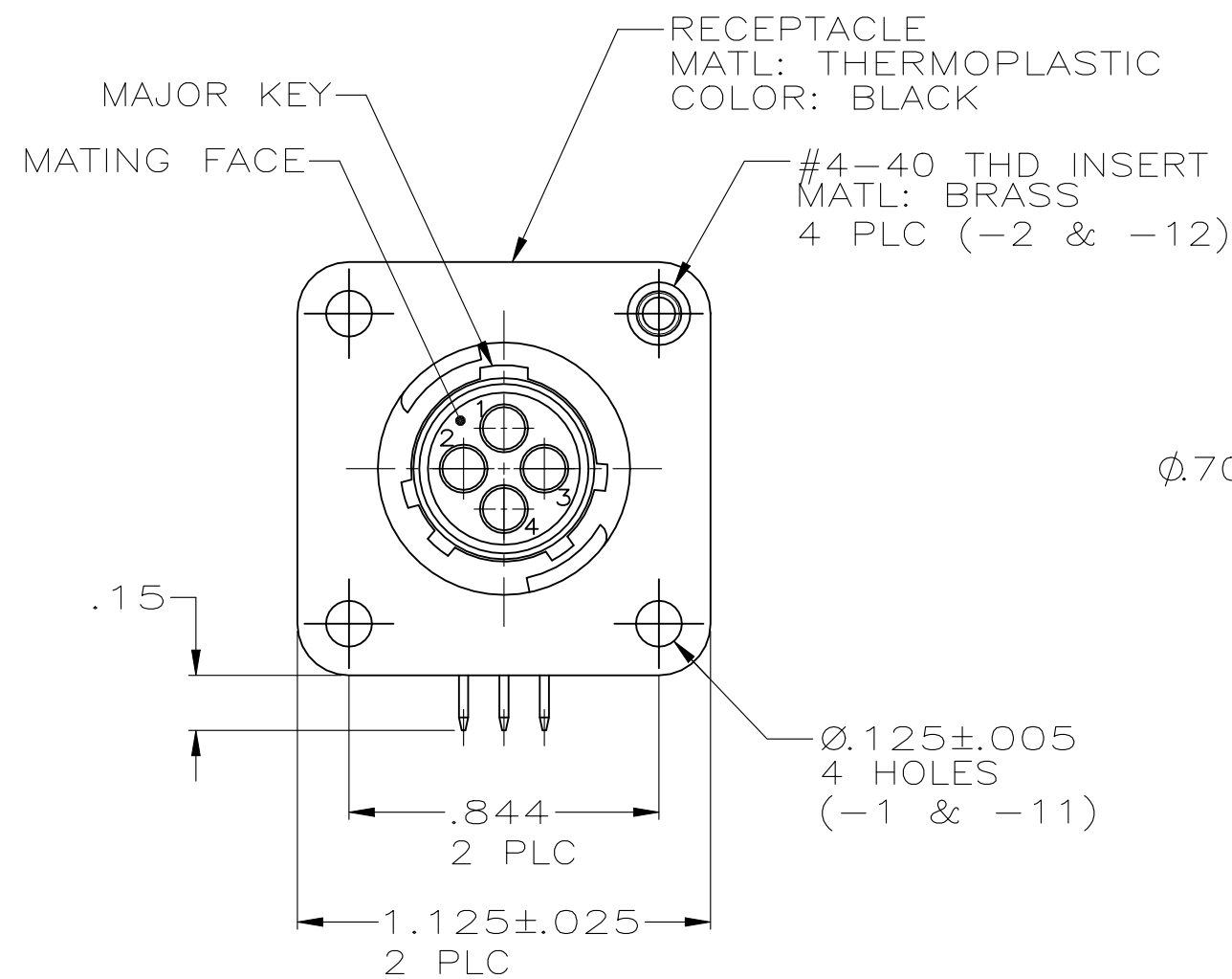


| REVISIONS | | | | | |
|-----------|-----|---------------------------|-----------|-----|------|
| P | LTR | DESCRIPTION | DATE | DWN | APVD |
| E2 | | REVISED PER ECR-22-150475 | 26AUG2022 | RK | MZ |



- 1 CONTACT CAVITIES IDENTIFIED BY CHARACTERS ON FRONT AND REAR FACES OF CONNECTOR.
- 2 #4 FASTENER RECOMMENDED FOR -1 MOUNTING.
#4 FASTENER REQUIRED FOR -2 MOUNTING.
- 3 CONTACT BODY: .000030 MIN GOLD FOR A LENGTH OF .250 MIN FROM MATING END, WITH REMAINDER TO BE GOLD FLASH, BOTH OVER .000050 MIN NICKEL.
CONTACT POST: .000100 MIN TIN-LEAD OVER .000100 MIN COPPER.
- 4 PC BOARD HOLE PATTERN IS DEFINED RELATIVE TO CONNECTOR C.L. AND PANEL MOUNTING FACE INDICATED.
- 5 CONTACT BODY: .000030 MIN GOLD FOR A LENGTH OF .250 MIN FROM MATING END, WITH REMAINDER TO BE GOLD FLASH, BOTH OVER .000050 MIN NICKEL.
CONTACT POST: .000100 MIN TIN OVER .000100 MIN COPPER.

RECOMMENDED PANEL CUTOUT

| | | | |
|----------|---|----------------|-------------|
| | 5 | W/INSERTS | 1-796403-2 |
| | 5 | W/O INSERTS | 1-796403-1 |
| OBSOLETE | 3 | W/INSERTS | -796403-2- |
| OBSOLETE | 3 | W/O INSERTS | -796403-1- |
| | | CONTACT FINISH | CONFIG. |
| | | | PART NUMBER |

| | | | | | |
|--|--|------------------|---------|--|-----------|
| THIS DRAWING IS A CONTROLLED DOCUMENT. | | DWN | 2-19-00 | TE TE Connectivity | |
| | | CHK | 2-24-00 | | |
| | | APVD | 2-24-00 | NAME | |
| | | PRODUCT SPEC | | RECEPTACLE ASSY, POSTED, RT ANGLE, STD SEX, SIZE 11-4, SERIES 1, CPC | |
| | | APPLICATION SPEC | | SIZE | CAGE CODE |
| | | WEIGHT | | A2 | 00779 |
| | | CUSTOMER DRAWING | | SCALE | 2:1 |
| | | | | SHEET | 1 of 1 |
| | | | | REV | E2 |