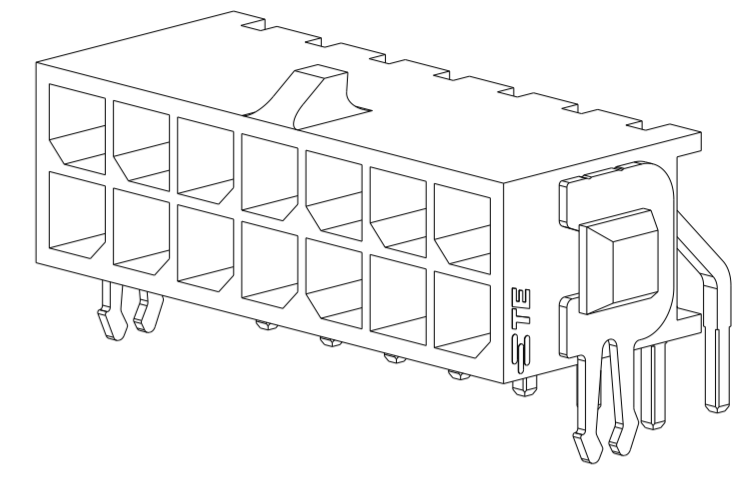
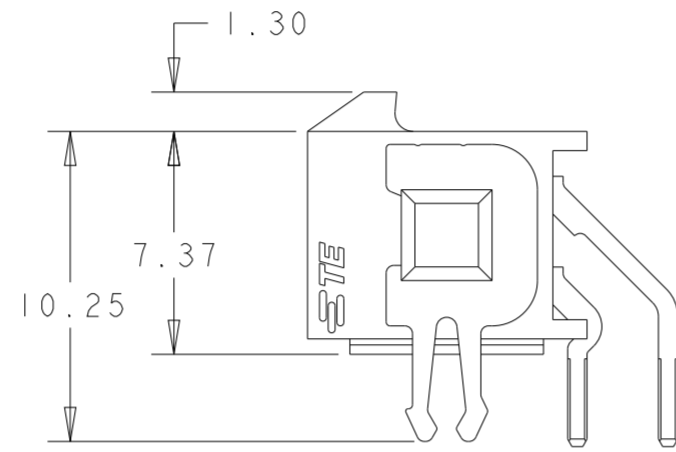
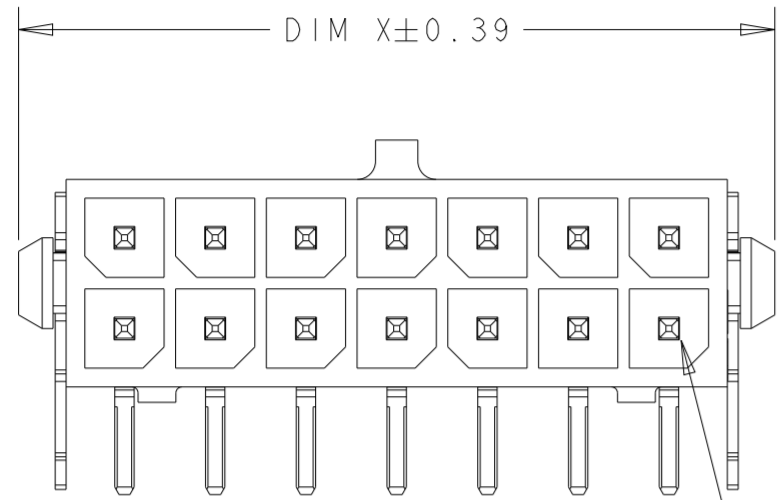
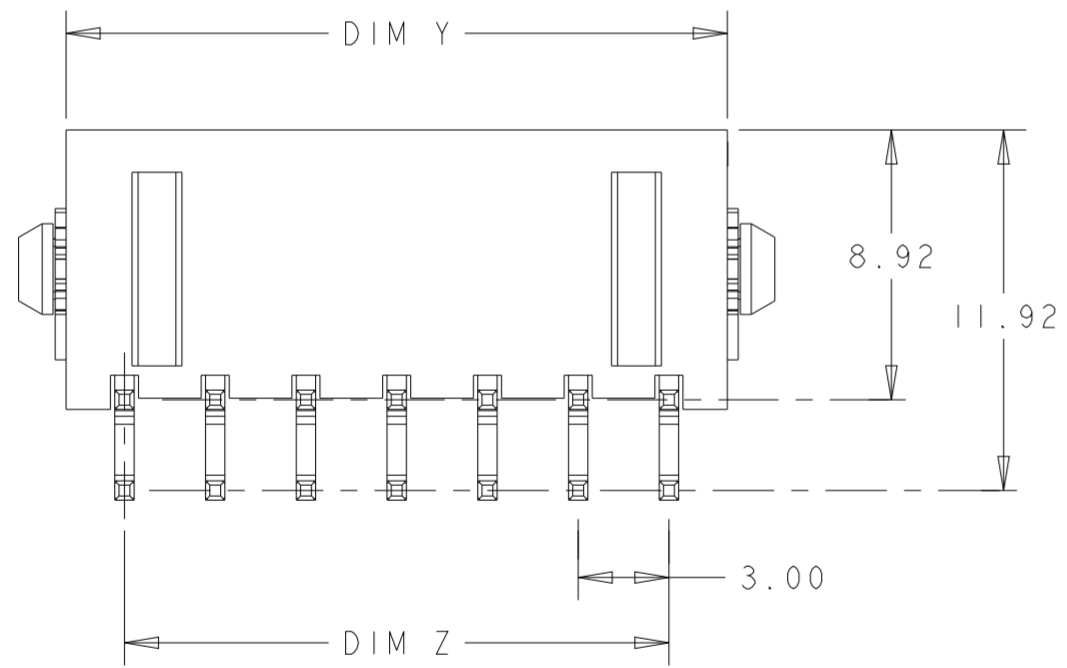


THIS DRAWING IS UNPUBLISHED. RELEASED FOR PUBLICATION 20  
 © COPYRIGHT 20 BY - ALL RIGHTS RESERVED.

REVISIONS					
P	LTR	DESCRIPTION	DATE	DWN	APVD
G5		REVISED PER ECN-23-225679	08AUG2023	WLS	VS
G6		REVISED PER ECN-23-240910	29NOV2023	WLS	VS
G7		REVISED PER ECN-24-256440	14MAR2024	WLS	VS



- 1 MATERIAL;  
CONTACTS - BRASS.  
HOUSING - UL 94V-0 RATED HIGH TEMP NYLON, COLOR BLACK.
- 2 RECOMMENDED PC BOARD THICKNESS OF 1.57.
- 3 PLATING;  
CONTACTS - 0.38µm MINIMUM GOLD ON MATING AREA.  
2.54µm MINIMUM MATTE TIN ON SOLDER TAILS.  
ALL OVER 1.27µm MINIMUM NICKEL.  
HOLDDOWNS - 2.54µm MINIMUM MATTE TIN OVER 1.27µm MINIMUM NICKEL.
- 4 COUNTERPART RECOMMENDED IS PN 794617 (DASH ACCORDING TO NUMBER OF POSITION).
- 5 FOR REELING DIRECTION AND PACKAGING TYPE , SEE SPECIFICATION 114-13000.

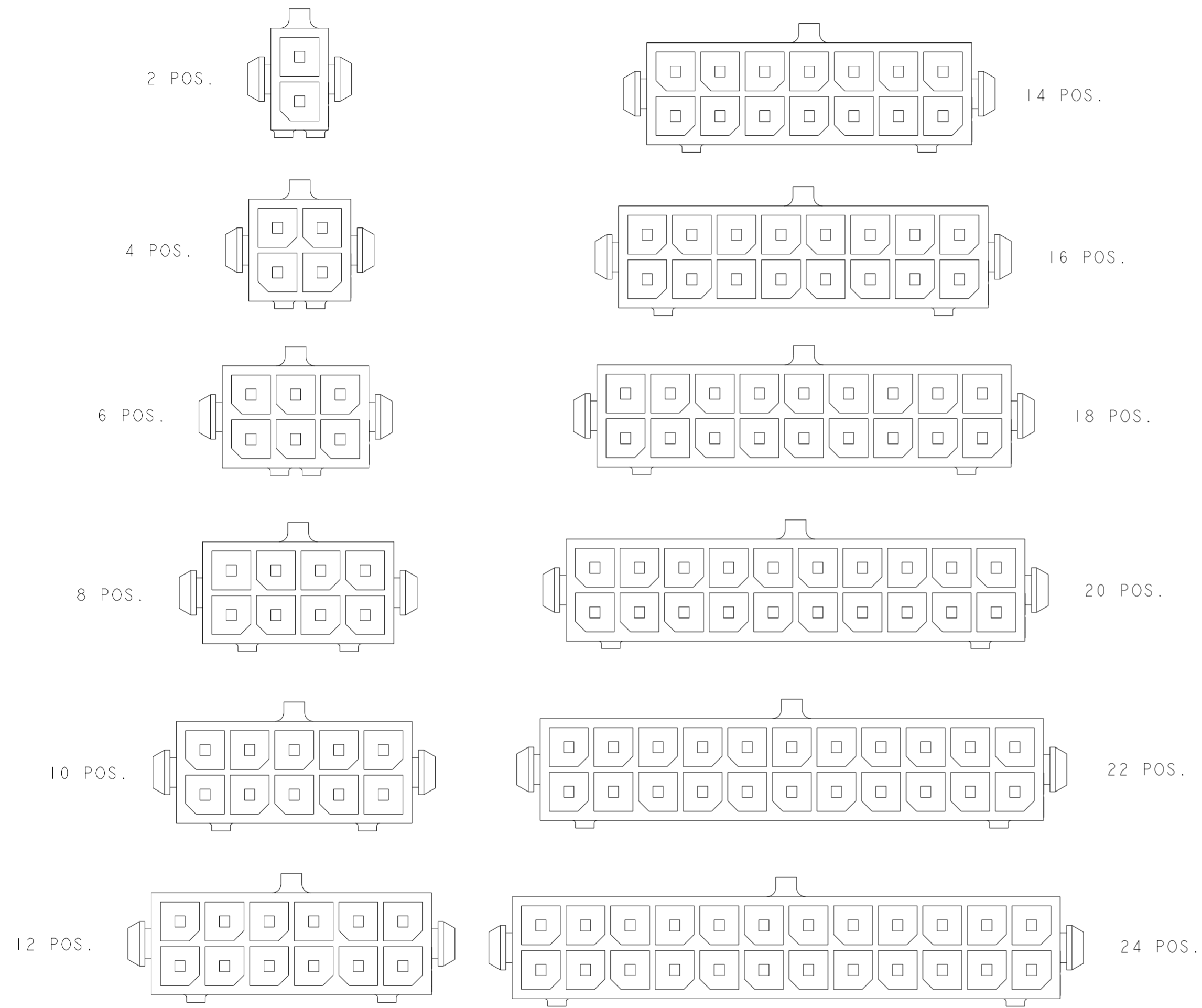


	36.86	37.30	33.00	40.00	24	5-794678-4
	33.86	34.30	30.00	37.00	22	5-794678-2
	30.86	31.30	27.00	34.00	20	5-794678-0
OBSOLETE	<del>27.86</del>	<del>28.30</del>	<del>24.00</del>	<del>31.00</del>	<del>18</del>	<del>4-794678-8</del>
	24.86	25.30	21.00	28.00	16	4-794678-6
OBSOLETE	<del>21.86</del>	<del>22.30</del>	<del>18.00</del>	<del>25.00</del>	<del>14</del>	<del>4-794678-4</del>
	18.86	19.30	15.00	22.00	12	4-794678-2
OBSOLETE	<del>15.86</del>	<del>16.30</del>	<del>12.00</del>	<del>19.00</del>	<del>10</del>	<del>4-794678-0</del>
	12.86	13.30	9.00	16.00	8	3-794678-8
	9.86	10.30	6.00	13.00	6	3-794678-6
OBSOLETE	<del>6.86</del>	<del>7.30</del>	<del>3.00</del>	<del>10.00</del>	<del>4</del>	<del>3-794678-4</del>
	3.86	4.30	-	7.00	2	3-794678-2
	DIM Y	DIM W	DIM Z	DIM X	NO. OF POSN.	PART NUMBER

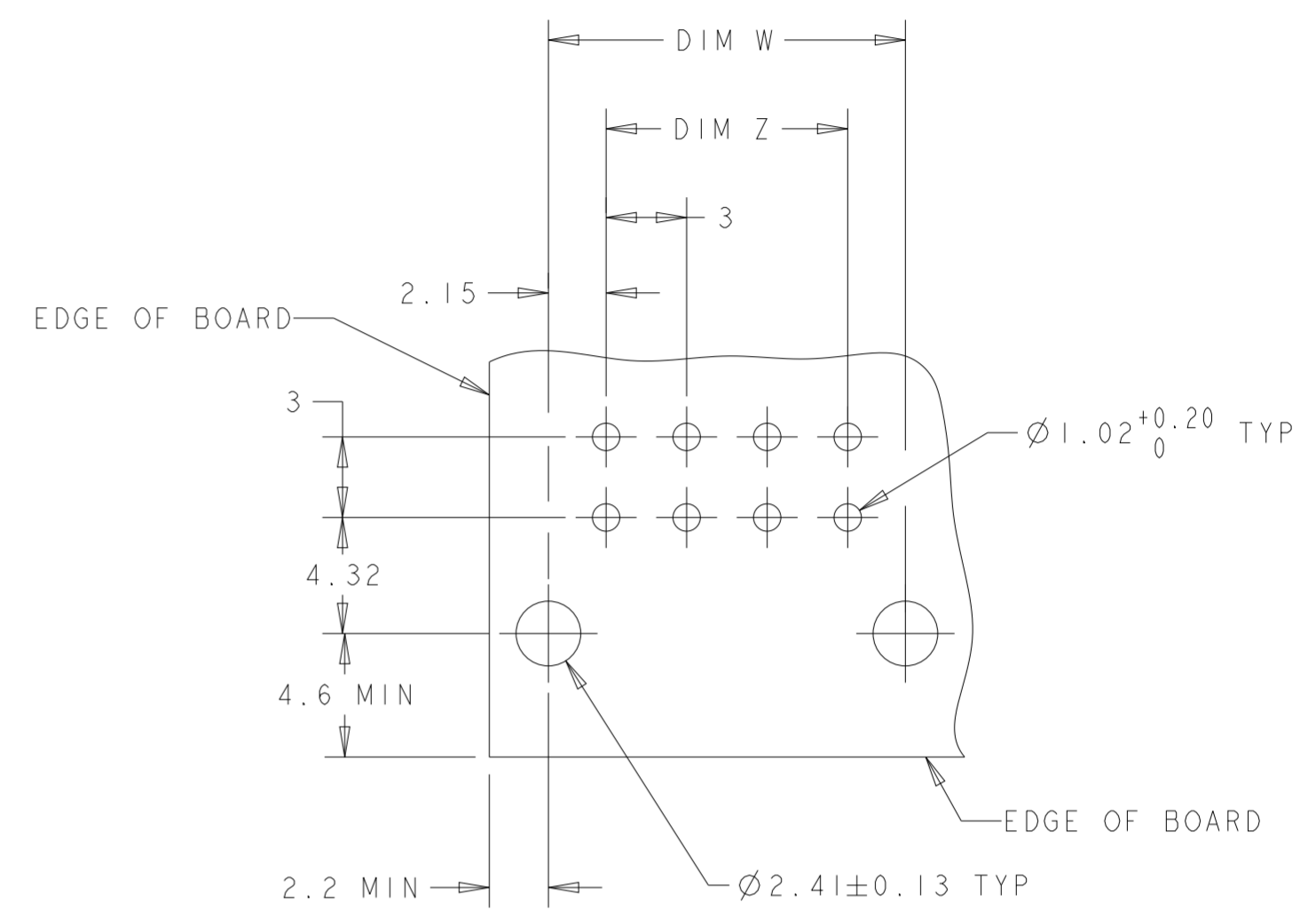
THIS DRAWING IS A CONTROLLED DOCUMENT.		DWN B. HAYMAKER 12AUG99	TE Connectivity		
DIMENSIONS: mm		CHK K. COBLE 12AUG99			
TOLERANCES UNLESS OTHERWISE SPECIFIED:		APVD K. COBLE 12AUG99	NAME THRU-HOLE, RIGHT ANGLE, 15 GOLD HEADER, MECHANICAL BOARDLOCK, DUAL ROW, MICRO MATE MATE-N-LOK™		
0 PLC ± 1 PLC ± 2 PLC ±0.20 3 PLC ± 4 PLC ±		PRODUCT SPEC 108-1836	SIZE A2	CAGE CODE 0779	DRAWING NO. G-794678
ANGLES ±° FINISH		APPLICATION SPEC 114-13000	RESTRICTED TO		
MATERIAL		WEIGHT -	SCALE 4:1	SHEET 1 OF 2	REV G7
1		3		CUSTOMER DRAWING	


THIS DRAWING IS UNPUBLISHED. RELEASED FOR PUBLICATION 20  
 © COPYRIGHT 20 BY - ALL RIGHTS RESERVED.

REVISIONS				
P	LTR	DESCRIPTION	DATE	APVD
-	-	SEE SHEET 1	-	-



KEYING BY POSITION SIZE



THIS DRAWING IS A CONTROLLED DOCUMENT.		DWN B. HAYMAKER 12AUG99	 TE Connectivity
DIMENSIONS: mm		CHK K. COBLE 12AUG99	
TOLERANCES UNLESS OTHERWISE SPECIFIED:		APVD K. COBLE 12AUG99	NAME THRU-HOLE, RIGHT ANGLE, 15 GOLD HEADER, MECHANICAL BOARDLOCK, DUAL ROW, MICRO MATE MATE-N-LOK
0 PLC ±	1 PLC ±	PRODUCT SPEC 108-1836	SIZE A20779
2 PLC ±0.20	3 PLC ±	APPLICATION SPEC 114-13000	CAGE CODE C-794678
4 PLC ±	ANGLES ±1°	WEIGHT -	DRAWING NO -
FINISH -	FINISH -	CUSTOMER DRAWING	RESTRICTED TO -
SCALE 4:1			SHEET 2 OF 2
REV G7			